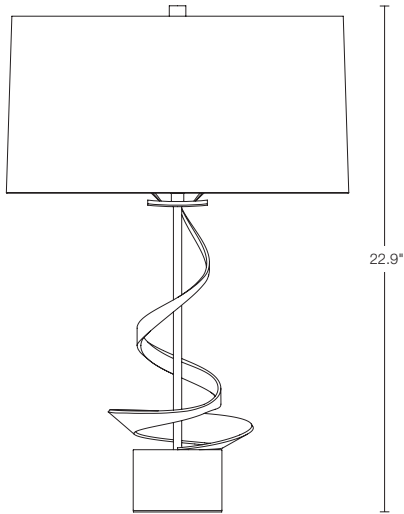




27-3030
GALLERY SPIRAL TABLE LAMP

27-3030
GALLERY SPIRAL

Table lamp with shade options.



Dimensions

Height 22.9"

Incandescent Lamping

Socket: medium
Bulb: A-19, 150 watt max

Shade

251695 - 16" Drum

Shade Color Options

34 - Doeskin micro-suede
36 - Terra micro-suede
37 - Eclipse micro-suede
48 - Natural Anna

Hospital Grade Cord

Available special order

Bolt Down

Available special order

UL Listing

Portable Luminaire

Updated 4.11

HUBBARDTON FORGE®

HUBBARDTONFORGE.COM

FOR MORE INFORMATION CONTACT OUR CONTRACT DEPARTMENT
AT 800-826-4766 OR CONTRACT@VTFORGE.COM.

154 RT. 30 SOUTH • CASTLETON, VERMONT 05735 • T 800-826-4766 • F 877-910-3700

All designs and images © 1989-2011 Hubbardton Forge®. All rights reserved.