

# Shade Installation Instructions

C39

For Brindille Table Lamp 27-7660 & 27-7660C

## To Install Glass Diffuser (Figure 1)

### Component Parts

- A Finial
- B Washer
- C Diffuser
- D Shade
- E Socket
- F Threaded Stud

1. Carefully unpack the lamp from the carton.
2. Remove finial (A) and washer (B) from threaded stud (F) and save for later use. *Finial and washer are shipped installed.*
3. Install bulbs. *“C” version bulbs are included.*
4. Slip shade (D), diffuser (C) and washer (B) onto threaded stud on top of socket (E). *See Figure 2 for washer orientation.*
5. Thread finial (A) onto threaded stud (F) on socket (E) and tighten until snug. *Be careful not to over tighten.*

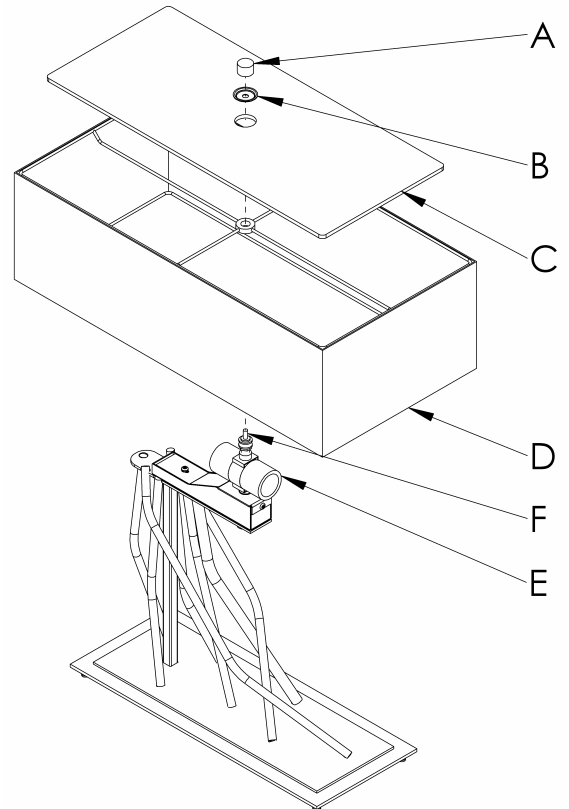


Figure 1

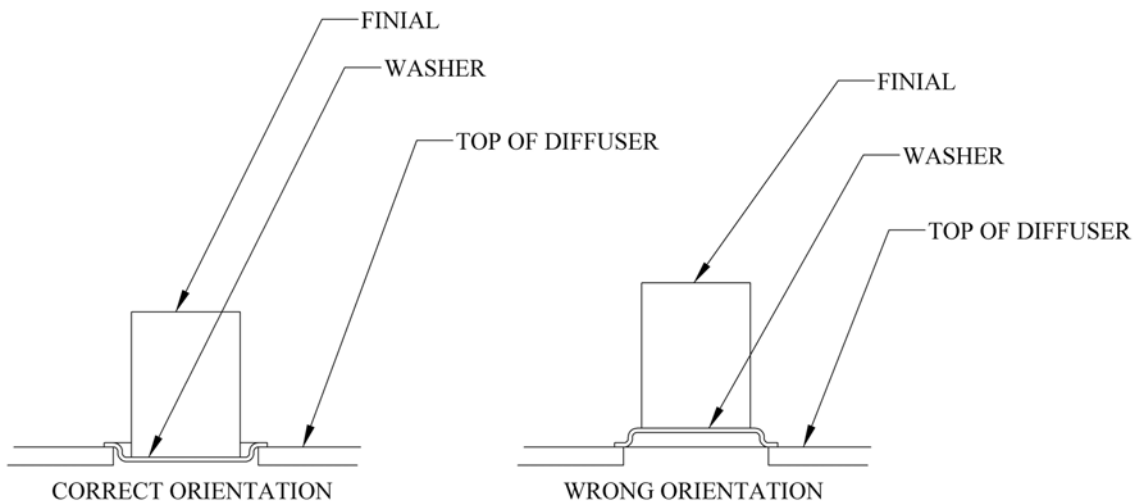


Figure 2

*If you need further assistance, or find that you are missing any parts, please contact the dealer from which you purchased this product. We hope you enjoy your fixture!*

\* Hubbardton Forge will not be liable for injury or damage caused by improper installation, lamping or use of this fixture.