

Assembly & Installation Instructions

A381

Erlenmeyer 4lt Semi-Flush 128710

Page 1 of 2

CAUTION: FAILURE TO INSTALL THIS FIXTURE PROPERLY MAY RESULT IN SERIOUS PERSONAL INJURY OR DEATH AND PROPERTY DAMAGE. We recommend installation by a licensed electrician. This product must be installed in accordance with applicable installation code(s), by a person familiar with the construction and operation of the product and the hazards involved.*

Caution: Do not exceed maximum wattage noted on fixture. Use only recommended bulbs with fixture.

Please Note: After installation extra hardware and accessories are possible due to our kits are used on multiple products and options.

To Complete Fixture Assembly (Figure 1)

Component Parts

A Fixture	F Ground Screw
B Crossbar	G Nipple
C Fixture Mounting Bracket	H Cover
D Threaded Stud (2)	I Cap
E Knurled Ball (2)	

CAUTION: BE SURE POWER IS OFF AT THE MAIN BREAKER BOX PRIOR TO INSTALLATION.

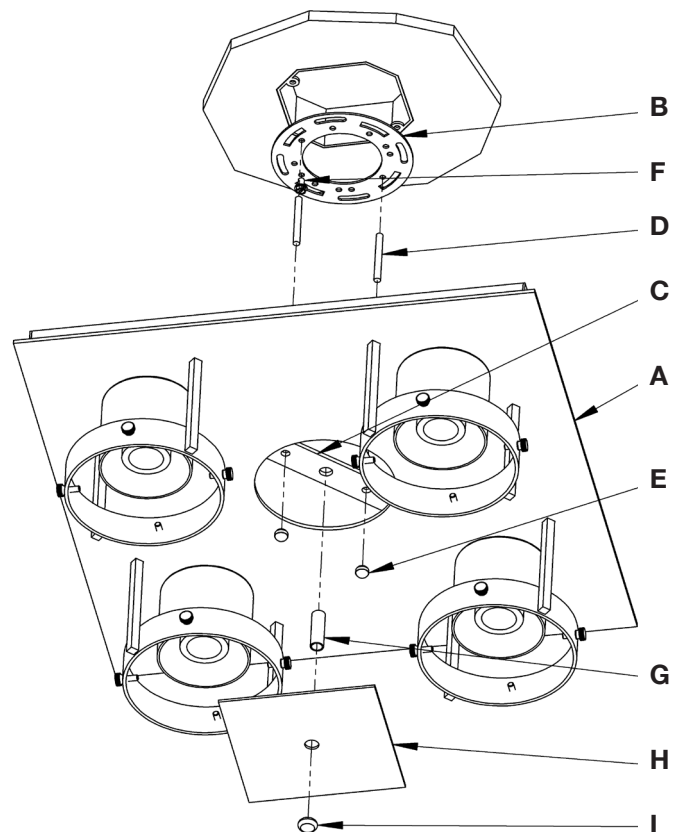
1. Carefully unpack the fixture from the carton.
2. Thread studs (D) through appropriate holes in the crossbar (B) to match holes in fixture mounting bracket (C). Move ground screw (F) to another available threaded hole if necessary.
3. Using two machine screws (not provided), fasten the crossbar (B) to the electric box using outer oval slots to orient fixture to desired hanging position.

Note: A new electric box comes with screws. When replacing a fixture, retain the existing screws for use with the new fixture.

4. Slide fixture (A) over threaded studs (D) and push firmly to ceiling making sure no wires are pinched between fixture canopy and ceiling. Fasten with knurled balls (E). Be sure studs (D) are fully seated in knurled balls (E).
5. Using suitable wire connectors (not provided) connect fixture wires to supply (white to white and black to black). Run a pigtail lead from the ground screw (F) to the electrical box. Connect all ground wires (bare copper or green to bare copper or green).

CAUTION: MAKE SURE WIRE CONNECTORS ARE TWISTED ON SECURELY, AND NO BARE WIRE IS EXPOSED.

6. Thread nipple (G) in to threaded hole directly in center of fixture mounting bracket (C).



(Figure 1)

(Continued)

If you need further assistance, or find that you are missing any parts, please contact the dealer from which you purchased this product. We hope you enjoy your fixture!

* Hubbardton Forge will not be liable for injury or damage caused by improper installation, lamping or use of this fixture.

Assembly & Installation Instructions

A381

Erlenmeyer 4lt Semi-Flush 128710

Page 2 of 2

To Complete Fixture Assembly (Continued)

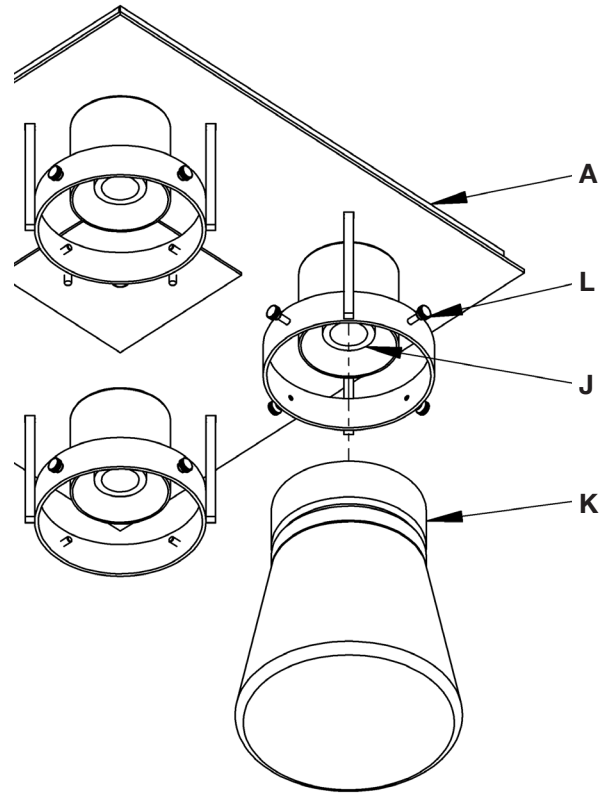
7. Install cover (H) over nipple (G).
8. Thread cap (I) on to nipple (G) and tighten against cover (H) until snug.
9. Refer instructions following to install glass.

To Install Glass (Figure 2)

Component Parts

- A Fixture
- J Socket (4)
- K Glass (4)
- L Thumb Screw (16)

1. Install light bulb (not provided) into socket (J).
2. Loosen thumb screws (L). It is not necessary to remove thumb screws (L).
3. Slip glass (K) into ring on fixture (A) aligning groove in glass (K) with thumbscrews and tighten thumbscrews (L) evenly.
4. Repeat with remaining glass (K).
5. Restore electricity at main breaker.



(Figure 2)

If you need further assistance, or find that you are missing any parts, please contact the dealer from which you purchased this product. We hope you enjoy your fixture!

*Hubbardton Forge will not be liable for injury or damage caused by improper installation, lamping or use of this fixture.