

Assembly & Installation Instructions

For Impressions Semi-Flush 12-6750 & 12-6753

A139

Page 1 of 2

CAUTION: FAILURE TO INSTALL THIS FIXTURE PROPERLY MAY RESULT IN SERIOUS PERSONAL INJURY OR DEATH AND PROPERTY DAMAGE. We recommend installation by a licensed electrician.

This product must be installed in accordance with applicable installation code(s), by a person familiar with the construction and operation of the product and the hazards involved.*

Caution: Do not exceed maximum wattage noted on fixture. Use only recommended bulbs with fixture.

To Install Fixture (Figure 1)

Component Parts

- A Ground Screw
- B Cross Bar
- C Threaded Stud (3)
- D Canopy
- E Barrel Knobs (3)

Caution: Be sure power is off at the main breaker box prior to installation

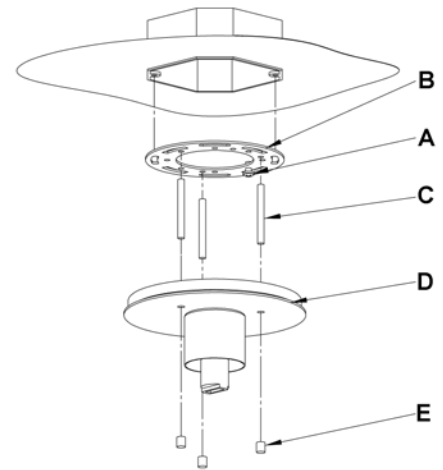
1. Carefully unpack the fixture from the carton.
2. Thread studs (C) through appropriate holes in cross bar (B) to match hole centers in canopy (D). Move ground screw (A) to another available threaded hole if necessary.
3. Using two machine screws (not provided) fasten cross bar (B) to the electric box using outer oval holes to orient fixture to desired hanging position.

Note: A new electric box comes with screws. When replacing an existing fixture, retain the screws for use with the new fixture.

5. Using suitable wire connectors (not provided); connect fixture wires to supply wires (white to white and black to black). Connect all ground wires to green ground screw (A).

Caution: Make sure wire connectors are twisted on securely, and no bare wire is exposed.

6. Slide fixture canopy (D) over threaded studs and push firmly to ceiling, making sure that no wires are pinched between fixture canopy and ceiling. Fasten with barrel knobs (E). Be sure studs (C) are fully seated in barrel knobs (E).



(Figure 1)

(continued)

Assembly & Installation Instructions

For Impressions Semi-Flush 12-6750 & 12-6753

A139

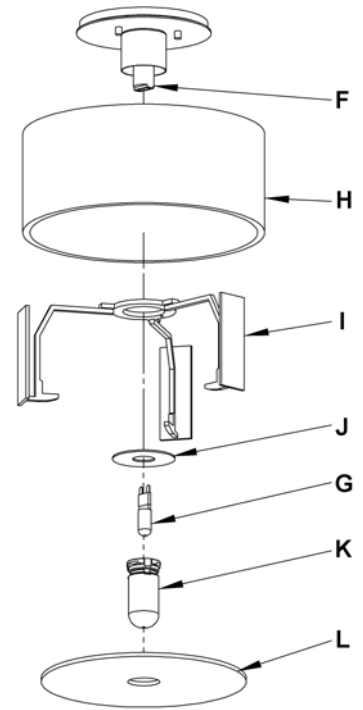
Page 2 of 2

To Install Glass (Figure 2)

Component Parts

- F Socket
- G Bulb
- H Glass
- I Spider Assembly
- J Washer
- K Bulb Shield
- L Diffuser

1. Place glass (H) into notches of spider assembly (I).
2. Lift glass (H) and spider assembly (I) over socket (F) until it stops.
3. Slip washer (J) over socket (F) until it rests against the bottom of the spider assembly (I).
4. Thread bulb shield (K) onto socket (F) (be careful not to over tighten). Bulb changes may be accomplished by snapping glass portion of barrier on and off rather than unthreading the holder. Remove glass portion of barrier to install light bulb (G).
5. Install light bulb (G). Be careful not to touch bulb with bare hands; oil from the hands will dramatically reduce bulb life.
6. Snap glass barrier back in to holder.
7. Insert the diffuser (L) up into the fixture at an angle then level it and gently lower onto the lowest tabs of the spider assembly (I).



(Figure 2)

If you need further assistance, or find that you are missing any parts, please contact the dealer from which you purchased this product. We hope you enjoy your fixture!

* Hubbardton Forge will not be liable for injury or damage caused by improper installation, lamping or use of this fixture.