

Installation Instructions

For Moonband Semi-Flush 12-4251

A221

Page 1 of 2

CAUTION: FAILURE TO INSTALL THIS FIXTURE PROPERLY MAY RESULT IN SERIOUS PERSONAL INJURY OR DEATH AND PROPERTY DAMAGE. We recommend installation by a licensed electrician.

This product must be installed in accordance with applicable installation code(s), by a person familiar with the construction and operation of the product and the hazards involved.*

Caution: Do not exceed maximum wattage noted on fixture. Use only recommended bulbs with fixture.

Please Note: After installation extra hardware and accessories are possible; our kits are used on multiple products and options.

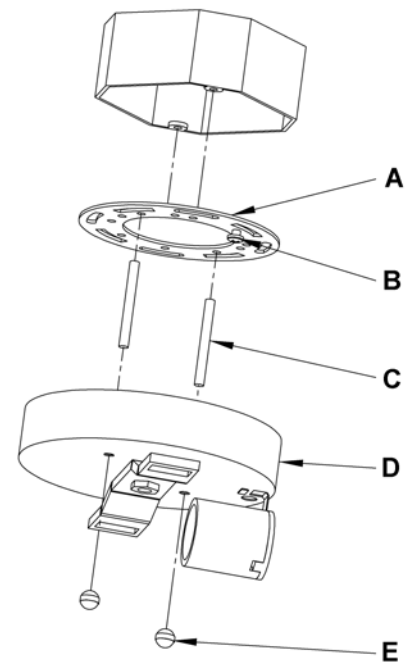
To Install Fixture (Figure 1)

Component Parts

- A Crossbar
- B Ground Screw
- C Threaded Stud (2)
- D Canopy
- E Knurl Balls (2)

Caution: Be sure power is off at the main breaker box prior to installation.

1. Carefully unpack the fixture from the carton.
2. Thread studs (C) through appropriate holes in cross bar (A) to match hole centers in canopy (D). Move ground screw (B) to another available threaded hole if necessary.
3. Using two machine screws (not provided) fasten cross bar (A) to the electric box using outer oval holes to orient fixture to desired hanging position.
Note: A new electric box comes with screws. When replacing an existing fixture, retain the screws for use with the new fixture.
5. Using suitable wire connectors (not provided) connect fixture wires to supply wires (white to white or ribbed and black to black or smooth. Connect all ground wires to green ground screw (B).
Caution: Make sure wire connectors are twisted on securely, and no bare wire is exposed.
6. Slide fixture canopy (D) over threaded studs and push firmly to ceiling, making sure that no wires are pinched between fixture canopy and ceiling. Fasten with knurl balls (E). Be sure studs (C) are fully seated in the knurl balls (E).
7. Refer to instructions following to install glass & bulb.



(Figure 1)

Installation Instructions

For Moonband Semi-Flush 12-4251

A221

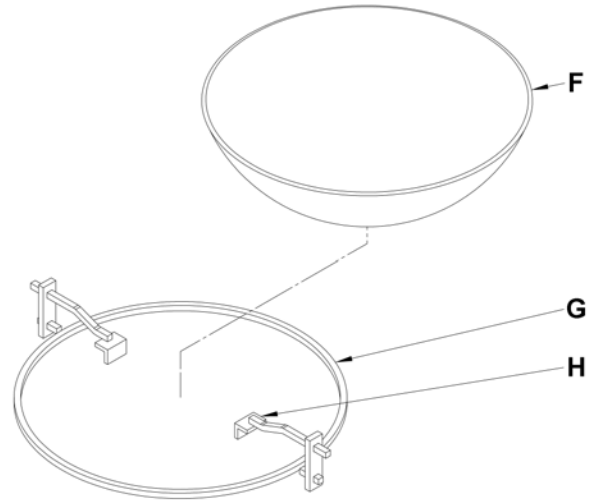
Page 2 of 2

To Install Glass (Figures 2 & 3)

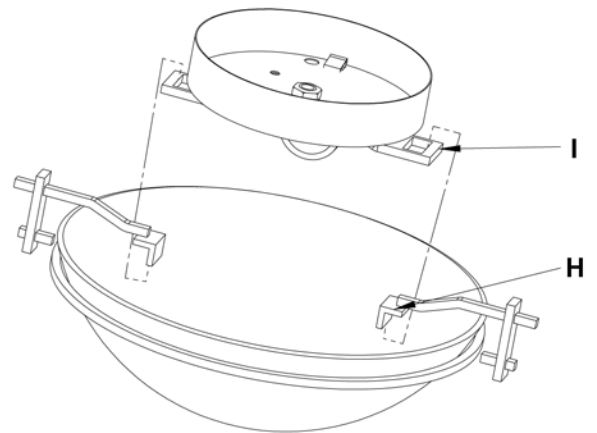
Component Parts

- F Glass
- G Ring Assembly
- H Support Brackets
- I Support Tabs

1. Install light bulb.
2. Angle glass (F) so it clears the support brackets (H) and place glass into the ring assembly (G).
3. Raise glass (F) and ring assembly (G) until support brackets clear support tabs (I).
4. Align support brackets (H) and support tabs (I) and lower until the support brackets (H) rest in the slots of the support tabs (I).
5. Restore electricity at the main breaker.



(Figure 2)



(Figure 3)

If you need further assistance, or find that you are missing any parts, please contact the dealer from which you purchased this product. We hope you enjoy your fixture!

* Hubbardton Forge will not be liable for injury or damage caused by improper installation, lamping or use of this fixture.