

Assembly & Installation Instructions

For Semi-Flush Kirigami Four Light 12-3305

A258

Page 1 of 3

CAUTION: FAILURE TO INSTALL THIS FIXTURE PROPERLY MAY RESULT IN SERIOUS PERSONAL INJURY OR DEATH AND PROPERTY DAMAGE. We recommend installation by a licensed electrician.

This product must be installed in accordance with applicable installation code(s), by a person familiar with the construction and operation of the product and the hazards involved.*

Caution: Do not exceed maximum wattage noted on fixture. Use only recommended bulbs with fixture.

To Install Fixture (Figure 1)

Component Parts

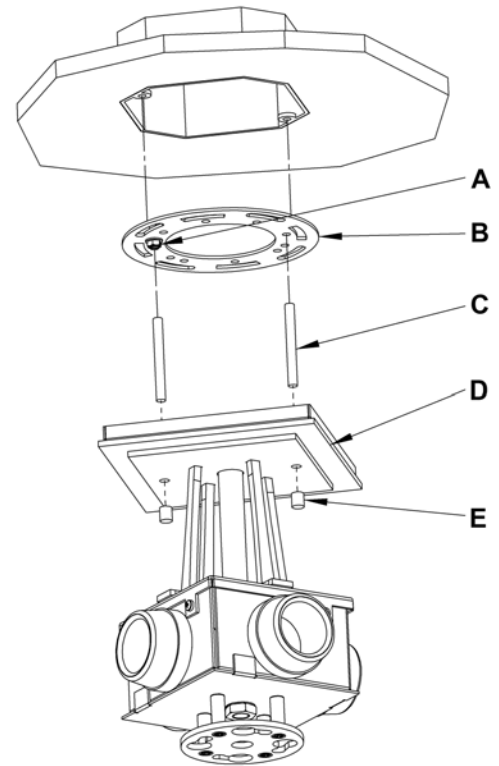
- A Ground Screw
- B Cross Bar
- C Threaded Stud (2)
- D Canopy
- E Barrel Knobs (2)

Caution: Be sure power is off at the main breaker box prior to installation.

1. Carefully unpack the fixture from the carton.
2. Thread studs (C) through appropriate holes in cross bar (B) to match hole centers in canopy (D). Move ground screw (A) to another available threaded hole if necessary.
3. Using two machine screws (not provided) fasten cross bar (B) to the electric box using outer oval holes to orient fixture to desired hanging position.

Note: A new electric box comes with screws. When replacing an existing fixture, retain the screws for use with the new fixture.

4. Using suitable wire connectors (not provided); connect fixture wires to supply wires (white to white and black to black). Connect all ground wires to green ground screw (A).
Caution: Make sure wire connectors are twisted on securely, and no bare wire is exposed.
5. Slide fixture canopy (D) over threaded studs and push firmly to ceiling, making sure that no wires are pinched between fixture canopy and ceiling. Fasten with barrel knobs (E). Be sure studs (C) are fully seated in barrel knobs (E).



(Figure 1)

(continued)

Assembly & Installation Instructions

For Semi-Flush Kirigami Four Light 12-3305

A258

Page 2 of 3

To Assemble Bottom (Figures 2, 3 & 4)

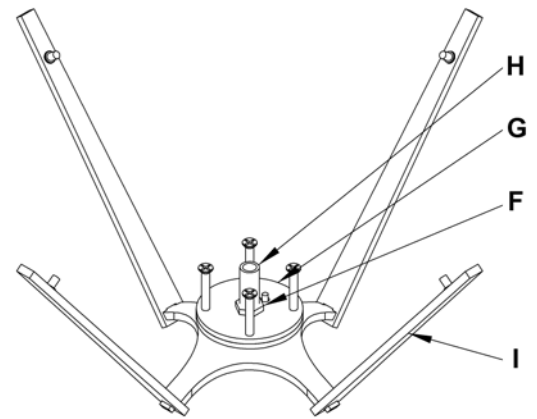
Component Parts

- F Hex Nut
- G Diffuser Top Plate
- H Nipple
- I Bottom Assembly
- J Shade
- K Threaded Knob (3)
- L Threaded Stud (3)
- M Diffuser
- N Alignment Pin
- O Spring
- P Flat Head Screw (3)

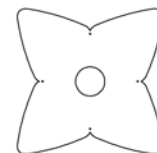
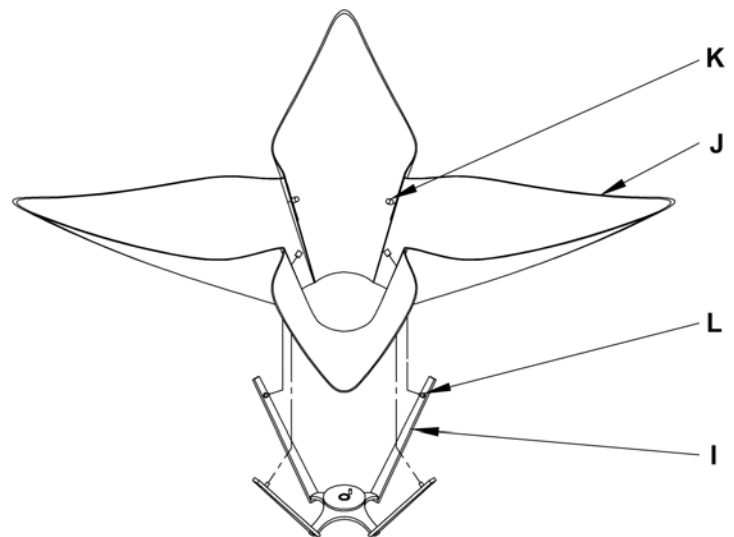
1. Remove hex nut (F) (Figure 4). Save for later use.
2. Slip diffuser top plate (G) with flat head screws (P) installed off bottom assembly (I) (Figure 4). Save for later use.
3. Install shade (J) into bottom assembly by slipping the holes in the shade over the threaded studs (L) (Figure 5).
4. Install knobs (K) to keep shade (J) in place (Figure 5).

See Figure 4 (next page) for the remaining steps unless another figure is referenced.

5. Slip diffuser (M) onto nipple (H) aligning the alignment hole in the diffuser with the alignment pin (N).
6. Thread the three flat head screws (P) installed in the diffuser plate (G) so they protrude slightly out the bottom of the plate.
7. Align the diffuser top plate (G) so the three flat head screws (P) align with the three holes in the diffuser (M) and slip onto the nipple (H) until it rests on top of the diffuser.
8. Thread hex nut (F) onto nipple (H) until it sits on top of the diffuser top plate (G). Tighten the hex nut being careful not to over tighten.
9. Thread the three flat head screws (P) until they are snug.
10. Slip the spring (O) onto the nipple.
11. Refer to instructions following to complete installation.



(Figure 2)



SHADE AS SHIPPED FLAT

(Figure 3)

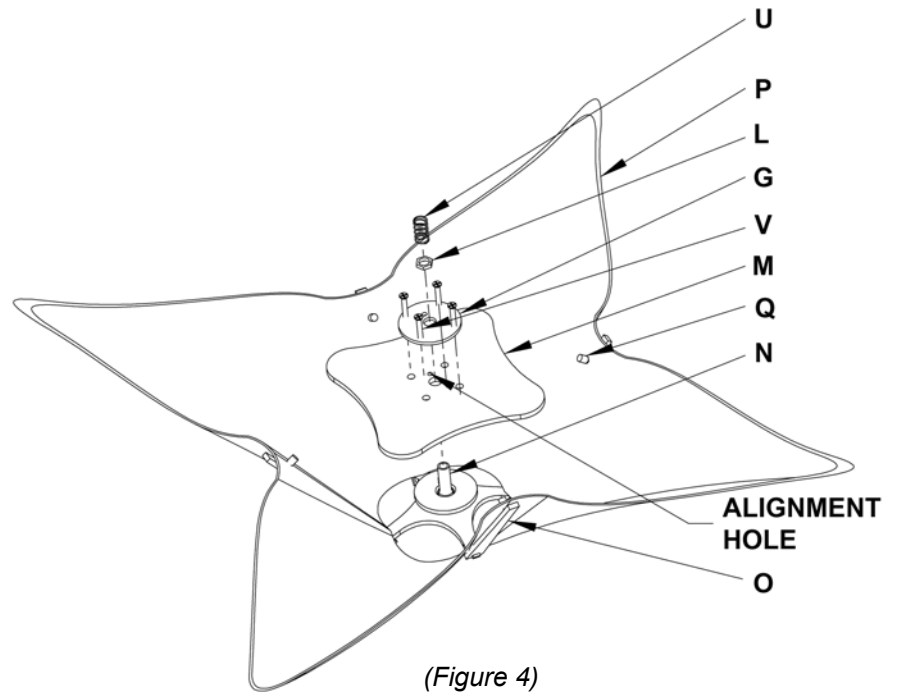
(continued)

Assembly & Installation Instructions

For Semi-Flush Kirigami Four Light 12-3305

A258

Page 3 of 3

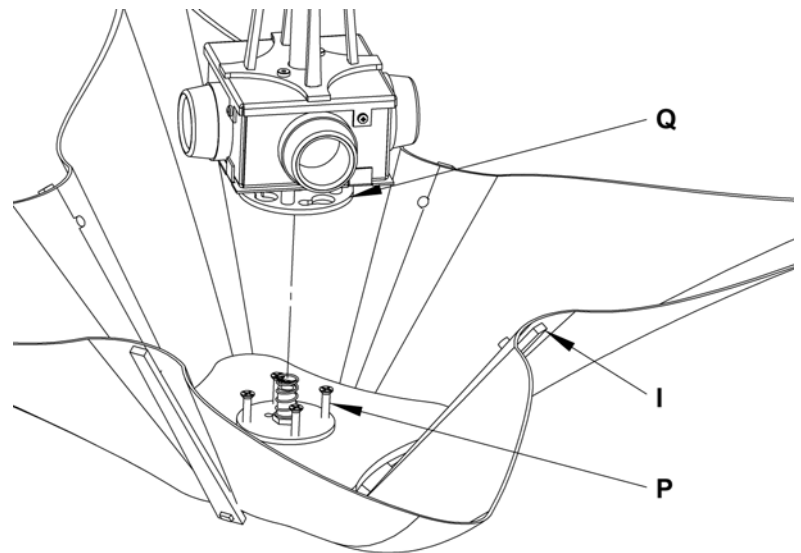


To Install Bottom Assembly (Figure 5)

Component Parts

- I Bottom Assembly
- P Flat Head Screws (3)
- Q Locking plate

1. Raise bottom assembly (I) aligning flat head screws with the larger holes in the slots in the locking plate (Q).
2. Pushing up on the bottom assembly (I) turn clockwise until the bottom assembly stops in the locked position.
3. Install light bulbs. *Not Included*
4. Restore electricity at main breaker.



If you need further assistance, or find that you are missing any parts, please contact the dealer from which you purchased this product. We hope you enjoy your fixture!

* Hubbardton Forge will not be liable for injury or damage caused by improper installation, lamping or use of this fixture.