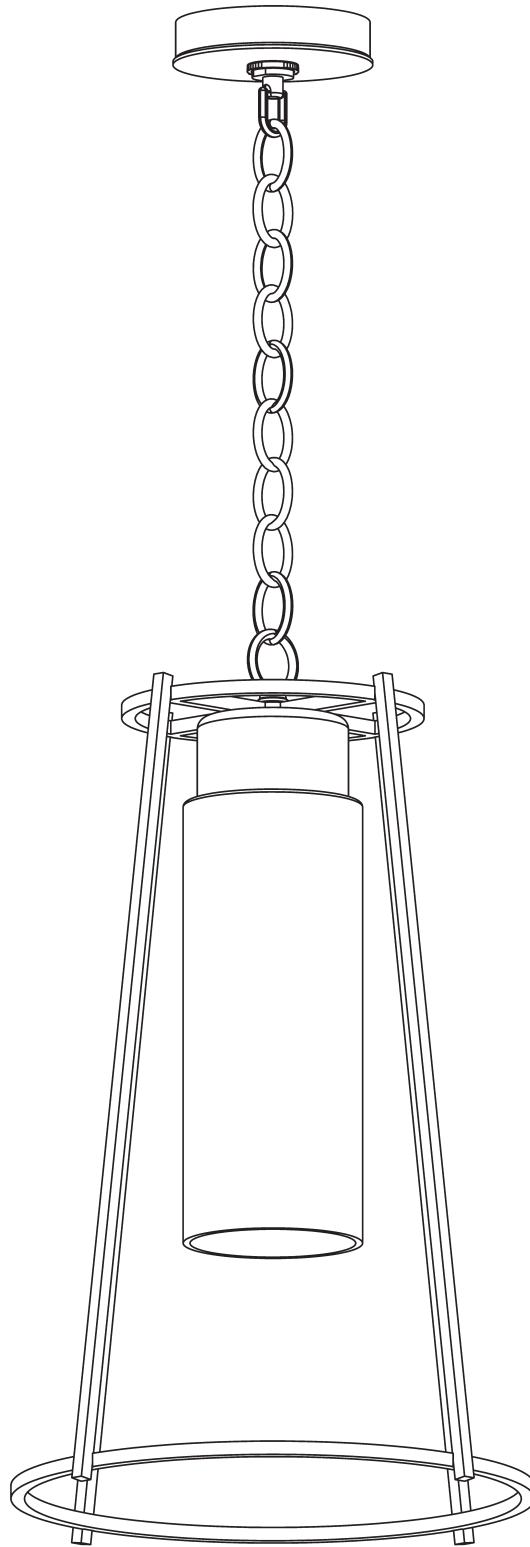


ASSEMBLY & INSTALLATION INSTRUCTIONS

A573

Loft Lantern 363020 & 363023



Component Parts

- A Crossbar**
- B Lock Nut**
- C Nipple**
- D Ground Screw**
- E Canopy**
- F Canopy Ring**
- G Canopy Loop**
- H Chain**
- I Fixture Loop**
- J Fixture**
- K Socket**
- L Glass**
- M Washer**
- N Retaining Ring**



ASSEMBLY & INSTALLATION INSTRUCTIONS

A573

Loft Lantern 363020 & 363023

CAUTION: FAILURE TO INSTALL THIS FIXTURE PROPERLY MAY RESULT IN SERIOUS PERSONAL INJURY OR DEATH AND PROPERTY DAMAGE. We recommend installation by a licensed electrician. This product must be installed in accordance with applicable installation code(s), by a person familiar with the construction and operation of the product and the hazards involved.*

Caution: Do not exceed maximum wattage noted on fixture. Use only recommended bulbs with fixture.

Please Note: After installation, extra hardware and accessories are possible; our kits are used on multiple products.

To Install Fixture (Figure 1, next page)

CAUTION: BE SURE POWER IS OFF AT THE MAIN BREAKER BOX PRIOR TO INSTALLATION.

1. Carefully unpack fixture (J) from the carton.
2. Using two machine screws (not provided), fasten the crossbar (A) to the electric box with the head of the ground screw (D) facing down.
Note: A new electric box comes with screws. When replacing a fixture, retain the existing screws for use with the new fixture.
3. Thread nipple (C) into crossbar (A) and then thread lock nut (B) and canopy loop (G) onto threaded nipple, leaving parts loose. Adjust the length of threaded nipple in crossbar so that canopy ring (F), which comes threaded onto canopy loop, will hold canopy (E) against the ceiling with no threads showing for best appearance. When the correct adjustment is established, tighten lock nut against crossbar to hold adjustment.
4. Remove the crossbar (A) assembly from electrical box.
5. Attach one end of the chain (H) to the fixture loop (I) using a chain spreader (not provided). Lace the wires through every other link of the chain to the end. Slip wires and chain through canopy ring (F) and canopy (E). Fasten the chain to the canopy loop (G) using chain spreader.
6. Slip wires through the canopy loop (G) and nipple (C). Make sure to provide enough slack in the wire to ensure weight of fixture (J) is supported by the chain (H).
7. Using two machine screws (not provided), reattach the crossbar (A) to the electric box.
8. Using suitable wire connectors (not provided) connect fixture wires to supply wires (white to ribbed side of the fixture cord, black to smooth side). Holding canopy (E) close to ceiling, run a pigtail lead from crossbar ground screw (D) to the electric box and connect all ground wires (bare copper or green to bare copper or green).

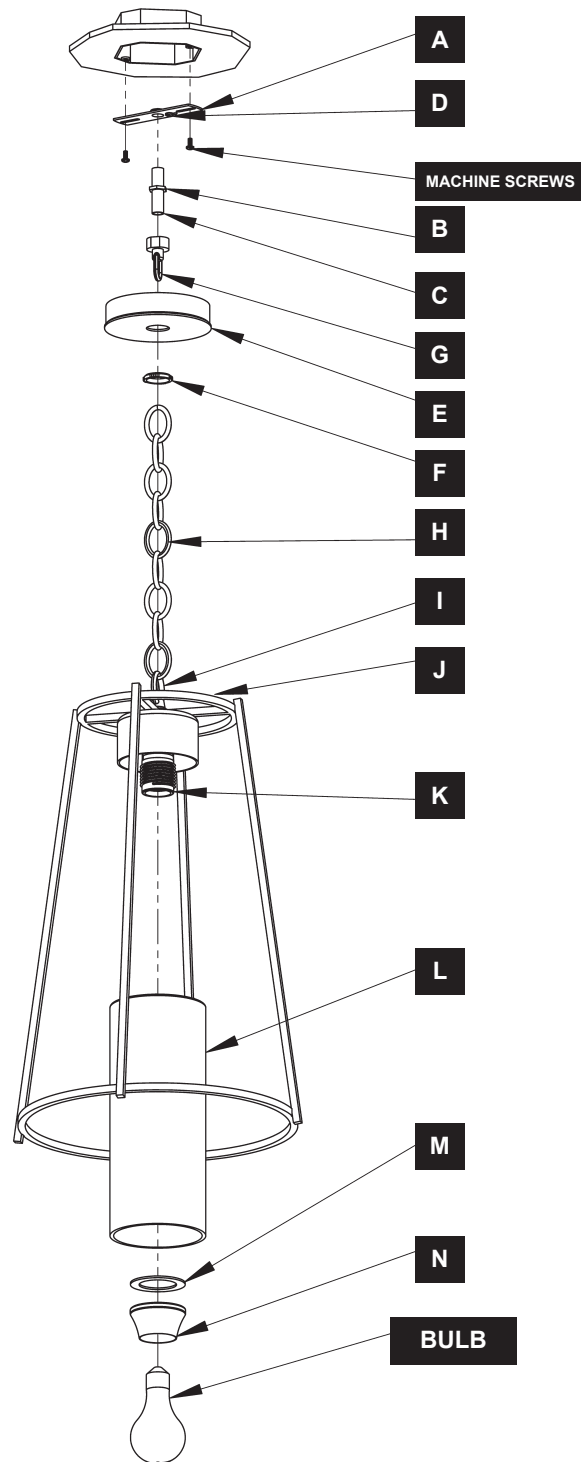
CAUTION: MAKE SURE WIRE CONNECTORS ARE TWISTED ON SECURELY AND NO BARE WIRE IS EXPOSED.

9. Raise canopy (E) to the ceiling and secure loop collar (F) to canopy loop (G). Be sure wires aren't pinched between the canopy and the ceiling.
10. Retaining ring (N) is shipped installed on socket (K). Remove retaining ring.
11. Slip glass (L) over socket. Slip on washer (M) and secure with retaining ring (N).
12. Install bulb (not included) into socket (K).
13. Restore electricity at main breaker.

ASSEMBLY & INSTALLATION INSTRUCTIONS

A573

Loft Lantern 363020 & 363023



(Figure 1)

If you need further assistance, or find that you are missing any parts, please contact the dealer from which you purchased this product. We hope you enjoy your fixture!

*** Hubbardton Forge will not be liable for injury or damage caused by improper installation, lamping or use of this fixture.**