

Installation Instructions

A359

Mason Chain-Hung Fixture 363001 & 363003

Page 1 of 2

CAUTION: FAILURE TO INSTALL THIS FIXTURE PROPERLY MAY RESULT IN SERIOUS PERSONAL INJURY OR DEATH AND PROPERTY DAMAGE. We recommend installation by a licensed electrician. This product must be installed in accordance with applicable installation code(s), by a person familiar with the construction and operation of the product and the hazards involved.*

Caution: Do not exceed maximum wattage noted on fixture. Use only recommended bulbs with fixture.

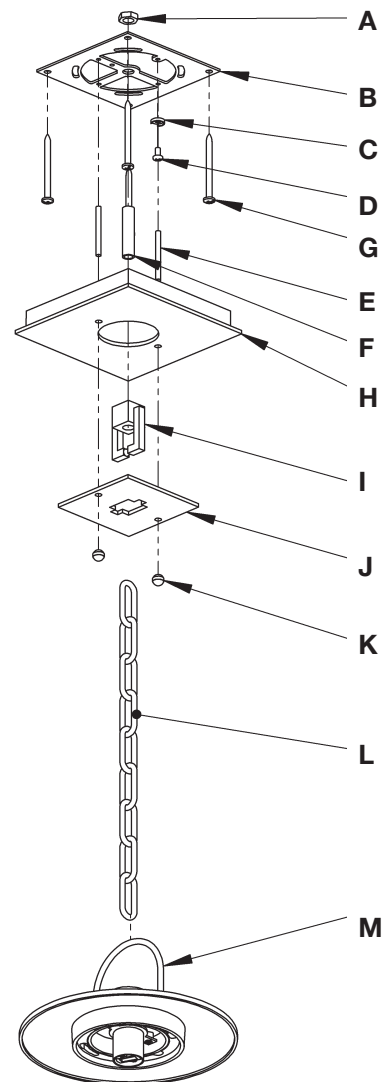
To Complete Fixture Assembly (Figure 1)

Component Parts

A Lock Nut	H Canopy
B Crossbar	I Canopy Loop
C Cupped Washer	J Cover Plate
D Ground Screw	K Knurl Ball (2)
E Threaded Stud (2)	L Chain
F Nipple	M Fixture
G Wood Screws (4)	

CAUTION: BE SURE POWER IS OFF AT THE MAIN BREAKER BOX PRIOR TO INSTALLATION.

1. Carefully unpack the fixture from the carton.
2. Thread studs (E) through appropriate holes in crossbar (B) to match holes in canopy (H).
3. Thread the nipple (F) into the crossbar (B) and secure with lock nut (A).
4. Thread canopy loop (I) onto nipple (F).
5. Attach one end of the chain (L) to the loop on fixture (M)
6. Slide cover plate (J) and canopy (H) over chain (L) until they rest against fixture top (N). Lace the wire through every other link of the chain (L) to the end.
7. Fasten the chain (L) to the canopy loop (I). Slip wires through the canopy loop (I) and nipple (F). Make sure to provide enough slack in the wire to ensure weight of fixture is supported by the chain.
8. Raise fixture to ceiling and using at least two wood screws (G) attach cross bar (B) to a structural member in the ceiling, centering the crossbar over the outlet box. We've supplied wood screws with your fixture; however, different materials and/or construction methods may require different fasteners. If in doubt, contact a qualified electrician. Alternatively the crossbar can be attached to the outlet box.



(Figure 1)

(Continued)

If you need further assistance, or find that you are missing any parts, please contact the dealer from which you purchased this product. We hope you enjoy your fixture!

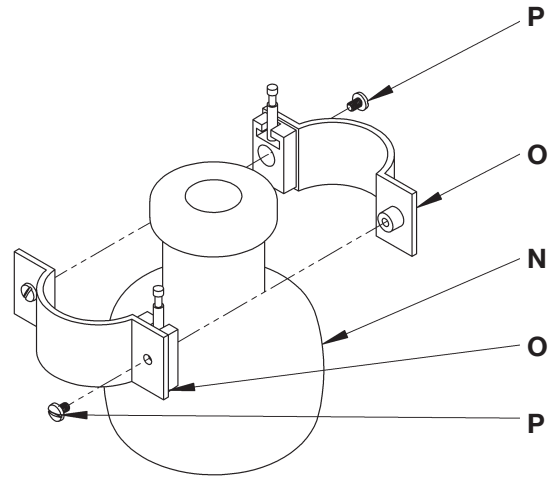
* Hubbardton Forge will not be liable for injury or damage caused by improper installation, lamping or use of this fixture.

(Continued)

- Using suitable wire connectors (not provided) connect fixture wires to supply wires (white to ribbed side of the fixture cord, black to smooth side). Connect all ground wires to cupped washer (C) and ground screw (D).

CAUTION: MAKE SURE WIRE CONNECTORS ARE TWISTED ON SECURELY, AND NO BARE WIRE IS EXPOSED.

- Slide canopy (H) and cover plate (J) over threaded studs (E) and push firmly to ceiling, making sure that no wires are pinched between fixture canopy and ceiling. Fasten with knurled balls (K). Be sure studs (E) are fully seated in the knurled balls (K).



(Figure 2)

To Install Decorative Band (Figure 2)

Component Parts

- N Glass
- O Decorative Band (2)
- P Binding Screw (2)

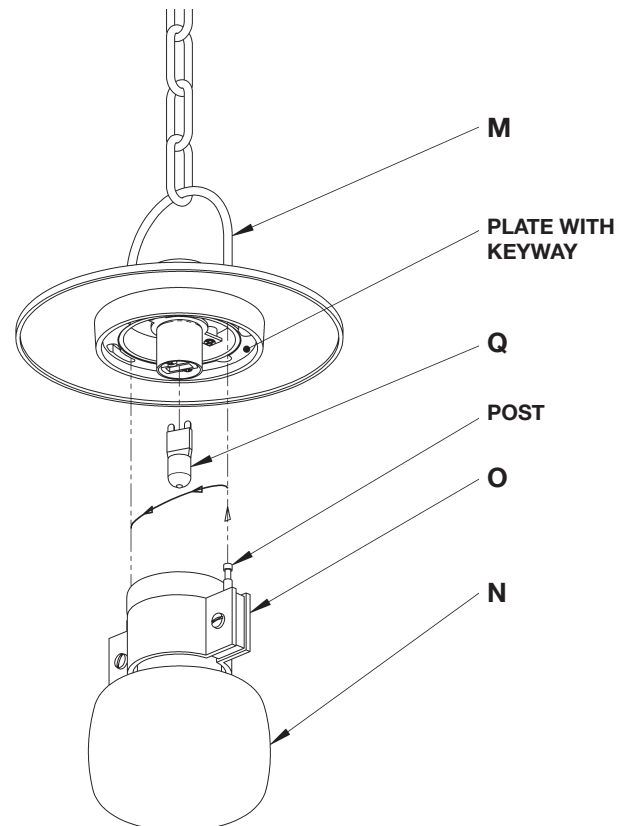
- Binding Screws (P) are shipped installed in the decorative bands. Remove binding screws (P).
- Place decorative bands (O) around neck of glass (N).
- Secure bands with binding screw (P).

To Install Glass (Figure 3)

Component Parts

- M Fixture Assembly
- Q Bulb
- O Decorative Band
- N Glass

- Install bulb (Q). Be careful not to touch bulb with bare hands; oil from the hands will dramatically reduce bulb life.
- Raise Glass (N) so that posts on Decorative band (O) pass through the plate with the keyway.
- Rotate Decorative band (O) to the left until the posts stop.
- Lower band to engage.



(Figure 3)

(Continued)

If you need further assistance, or find that you are missing any parts, please contact the dealer from which you purchased this product. We hope you enjoy your fixture!

*Hubbardton Forge will not be liable for injury or damage caused by improper installation, lamping or use of this fixture.