

# Installation Instructions

**B142**

For Medium and Large After Hours Outdoor 30-7860, 30-7860F, 30-7861 & 30-7861F

Page 1 of 2

**CAUTION: FAILURE TO INSTALL THIS FIXTURE PROPERLY MAY RESULT IN SERIOUS PERSONAL INJURY OR DEATH AND PROPERTY DAMAGE. We recommend installation by a licensed electrician.**

This product must be installed in accordance with applicable installation code(s), by a person familiar with the construction and operation of the product and the hazards involved.\*

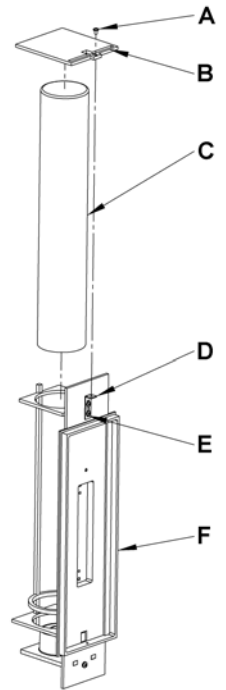
**Caution:** Do not exceed maximum wattage noted on fixture. Use only recommended bulbs with fixture.

## To Adjust Top Plate (Figure 1)

### Component Parts

- A 8-32 x 1/4" Screw Top Plate
- B Top Plate
- C Glass
- D Bracket
- E 8-32 x 3/8" Screw (2)
- F Fixture

1. Carefully unpack the fixture from the carton.
2. Slide glass (C) into fixture (F).
3. Slip top plate (B) onto fixture (F) until it rests on top of glass (C).
4. Loosen screws in bracket (D).
5. Remove screw (A) from bracket (D) and set aside for later use.
6. Raise or lower bracket (D) as needed until it touches top plate (B) and tighten screw (E).
7. Slip 8-32 x 1/4" screw (A) through top plate (B) and thread in to bracket (D) and tighten (*be careful not to over tighten*).
8. Remove screw (A), top plate (B) and glass (C) and set to the side temporarily.
9. Continue with installation instructions below.



(Figure 1)

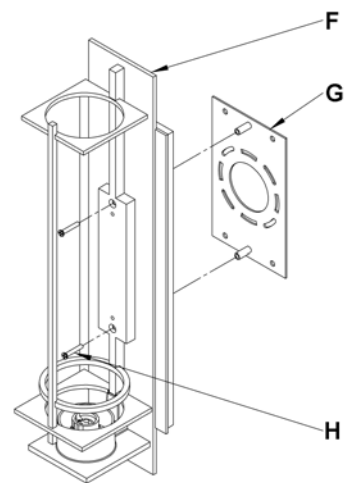
## To Install Fixture to Wall (Figures 2 & 3)

### Component Parts

- F Fixture
- G Mounting Bracket
- H 8-32 x 1" Screw (2)
- I Caulking Lip

**Caution: Be sure power is off at the main breaker box prior to installation.**

1. Using two machine screws (not provided) attach mounting bracket (G) to the electric box using inside oval holes to orient fixture. **Note:** A new electric box comes with screws. When replacing a fixture, retain the screws for use with the new fixture.
2. Using suitable wire connectors (not provided), connect the fixture wires to the supply wires, (white to white, black to black, bare copper or green to bare copper or green). If the fixture is wired with twin lead lamp cord, connect the ribbed side to white, and the smooth side to black. **Caution:** Make sure wire connectors are twisted on securely and no bare wires are exposed.



(Figure 2)

(continued)

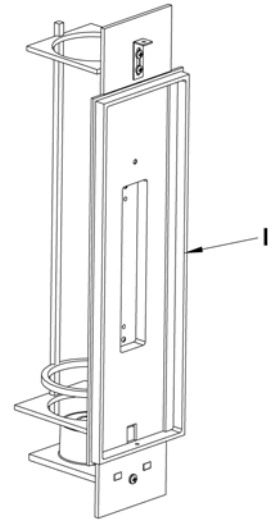
# Installation Instructions

**B142**

For Medium and Large After Hours Outdoor 30-7860, 30-7860F, 30-7861 & 30-7861F

Page 2 of 2

4. Apply a generous bead of a suitable caulking material to caulking lip (I) on the fixture (*Figure 3*).
5. Carefully tuck all wires behind the fixture, place fixture firmly against the wall and fasten with 8-32 x 1 5/8" screws (H). To ensure a water tight seal, apply a thin bead of caulking around entire perimeter of the fixture.
6. Install light bulb.



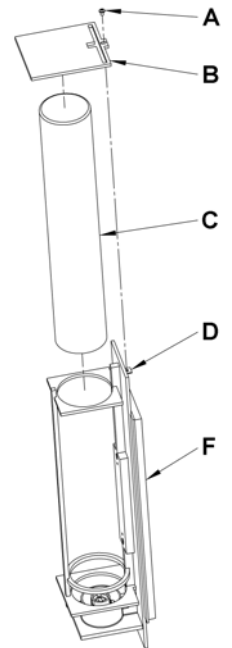
(Figure 3)

## **To Install Glass** (*Figure 4*)

### Component Parts

- A 8-32 x 1/4" Screw
- B Top Plate
- C Glass
- D Bracket
- F Fixture

1. Slide glass (C) into fixture (F).
2. Slip top plate (B) onto fixture (F) until it rests on top of glass (C).
3. Slip 8-32 x 1/4" screw (A) through top plate (B) and thread into bracket (D) and tighten. (*Be careful not to over tighten*)



(Figure 4)

*If you need further assistance, or find that you are missing any parts, please contact the dealer from which you purchased this product. We hope you enjoy your fixture!*

\* Hubbardton Forge will not be liable for injury or damage caused by improper installation, lamping or use of this fixture.