

Installation Instructions

CAUTION: FAILURE TO INSTALL THIS FIXTURE PROPERLY MAY RESULT IN SERIOUS PERSONAL INJURY OR DEATH AND PROPERTY DAMAGE. We recommend installation by a licensed electrician.

This product must be installed in accordance with applicable installation code(s), by a person familiar with the construction and operation of the product and the hazards involved.*

Caution: Do not exceed maximum wattage noted on fixture. Use only recommended bulbs with fixture.

To Install Fixture (Figures 1 & 2)

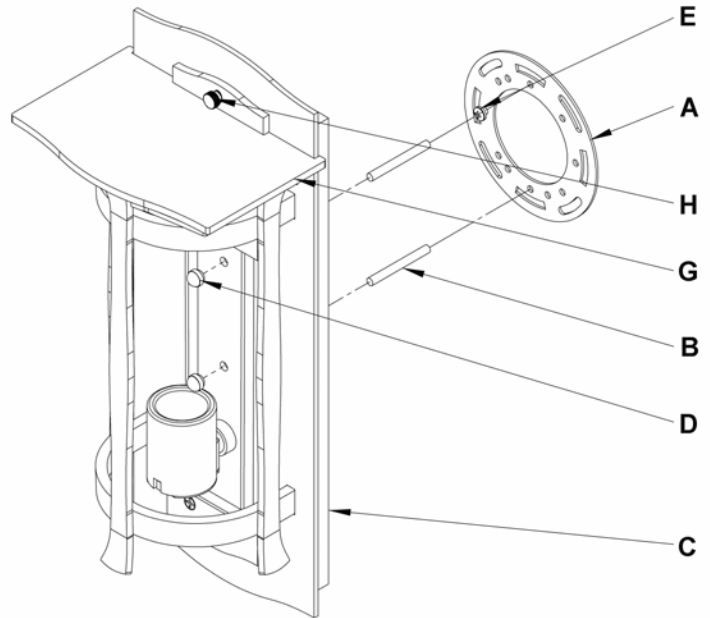
Component Parts

- A Cross Bar
- B Threaded Studs (2)
- C Fixture
- D Knurled Balls (2)
- E Ground Screw
- F Caulking Lip
- G Top Hat
- H Thumb Screws

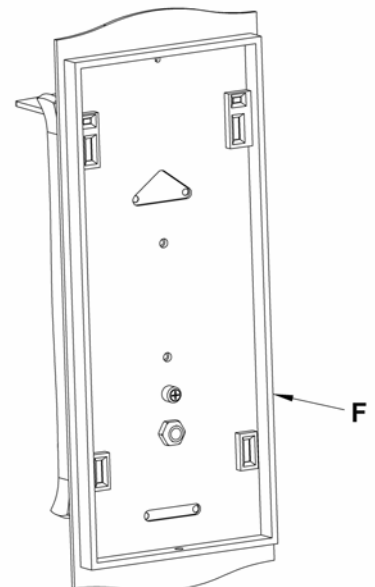
Note: Fixture enclosure to be located four feet above the ground.

Caution: Be sure power is off at the main breaker box prior to installation.

1. Carefully unpack the fixture from the carton.
2. Remove top hat (G) from fixture (C) by removing thumb screws (H). Set screw and top hat aside for later use.
3. Using two machine screws (not provided) attach cross bar (A) to the electric box using inside oval holes to orient fixture. Note: A new electric box comes with screws. When replacing a fixture, retain the screws for use with the new fixture.
4. Start threaded studs (B) into appropriate holes in crossbar (A).
5. Using suitable wire connectors (not provided), connect the fixture wires to the supply wires, (white to white, black to black, bare copper or green to bare copper or green). If the fixture is wired with twin lead lamp cord, connect the ribbed side to white, and the smooth side to black. Caution: Make sure wire connectors are twisted on securely and no bare wires are exposed.
6. Apply a generous bead of a suitable caulking material to caulking lip (F) on the fixture. (See Figure 2)
7. Carefully tuck all wires behind the fixture. Place fixture (C) over threaded studs (B). Fasten with knurled balls (D). Be sure threaded studs (B) are fully seated in the knurl balls (D).



(Figure 1)



(Figure 2)

(continued)

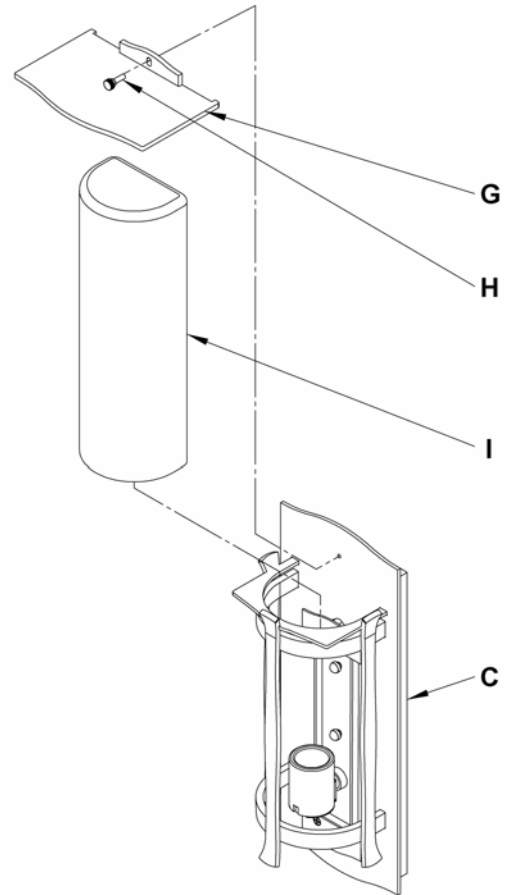
Installation Instructions

To Install Glass (Figure 3)

Component Parts

- C Fixture
- G Top Hat
- H Thumb Screw
- I Glass

1. Install light bulb (*fluorescent fixtures are supplied with bulb*).
2. Slide glass (I) into fixture (C). Open slot goes toward wall so it slips into grooves on fixture (C).
3. Attach top hat (G) onto fixture (C) with thumb screw (H). *Do not tighten thumb screw at this point.*
4. Adjust top hat (G) until it rests on top of glass (I).
5. Tighten by hand thumb screw (H) until snug against top hat (G). *Be careful not to over tighten.*
6. Restore electricity at the main breaker.



(Figure 3)

If you need further assistance, or find that you are missing any parts, please contact the dealer from which you purchased this product. We hope you enjoy your fixture!

* Hubbardton Forge will not be liable for injury or damage caused by improper installation, lamping or use of this fixture.