

Assembly & Installation Instructions

A226

For Single Ellipse Pendants 18-825 & 18-825F

Page 1 of 3

CAUTION: FAILURE TO INSTALL THIS FIXTURE PROPERLY MAY RESULT IN SERIOUS PERSONAL INJURY OR DEATH AND PROPERTY DAMAGE. We recommend installation by a licensed electrician.

This product must be installed in accordance with applicable installation code(s), by a person familiar with the construction and operation of the product and the hazards involved.*

Caution: Do not exceed maximum wattage noted on fixture. Use only recommended bulbs with fixture.

Please Note: Pendant 18-820 shown in illustrations.

Stem Assembly (Figure 1)

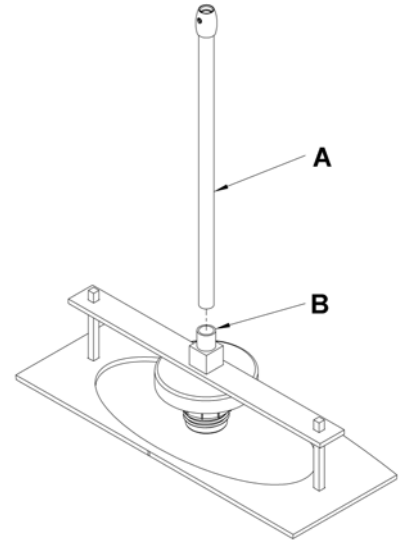
Component Parts

- A Fixture Pipe
- B Fixture Coupling

1. Carefully unpack the fixture from the carton.
2. Carefully thread fixture pipe (A), threaded end first, over fixture wires.
3. Apply a drop of the supplied thread locking compound to the internal threads of fixture coupling (B) and screw stem into fixture, being careful not to twist or pinch the wires.

Note: Application of the thread locking compound is necessary to prevent the stem from loosening during regular maintenance and cleaning of the fixture. Be certain to apply the compound.

4. See instructions below to complete the installation.



(Figure 1)

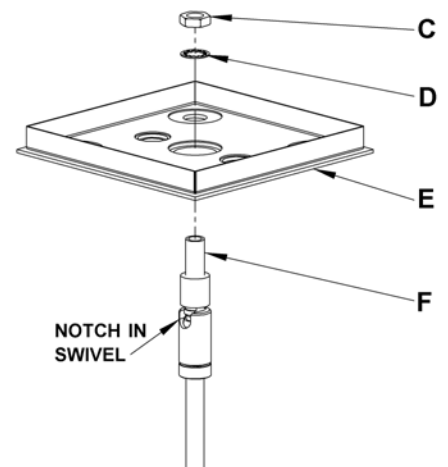
Assemble Canopy (Figure 2)

Component Parts

- C Hex Nut
- D Lock Washer
- E Canopy
- F Nipple

1. Insert nipple (F) in swivel up through hole in canopy (E).
2. Place lock washer (D) and nut (C) onto the nipple (G) in swivel and tighten securely.

Note: If installing on a sloped ceiling, make certain that the notch in the swivel portion of the stem is oriented toward the downward side of the slope.



(Figure 2)

(continued)

Assembly & Installation Instructions

For Single Ellipse Pendants 18-825 & 18-825F

A226

Page 2 of 3

To Complete Fixture Assembly (Figures 3 & 4)

Component Parts

A	Fixture Pipe	I	Threaded Stud (2)	N	Clutch
E	Canopy	K	Barrel Knob (2)	O	Set Screw
G	Crossbar	L	Canopy Pipe		
H	Ground Screw	M	Plastic Clutch Sleeve		

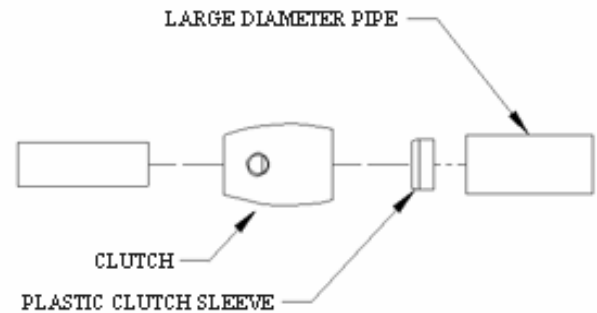
Caution: Be sure power is off at the main breaker box prior to installation.

1. Thread the wires from the fixture pipe (A) into and through the canopy pipe (L) up through the canopy (E).
2. Unscrew the clutch (N) from the fixture pipe (A); slide it across the wires and onto the canopy pipe (L). Follow this with the plastic clutch sleeve (M), oriented so the tapered end of the clutch sleeve nests in the clutch. (Figure 3)

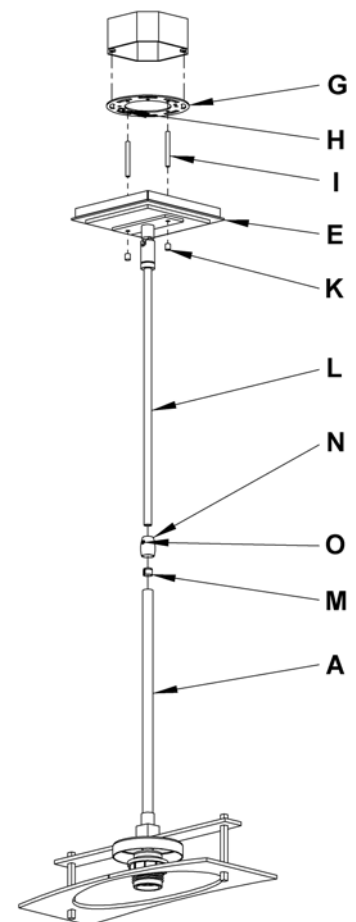
Slide the canopy pipe (L) as far necessary to give you the total length of the fixture which you desire. Be careful not to scratch the pipe surfaces and to pull excess wire up through the canopy pipe (L). Screw clutch (N) onto fixture pipe (A). There must be a minimum 1-1/2" of inner pipe inside the outer pipe. Hand-tighten the clutch to temporarily hold this adjustment. The clutch is not securely fastened at this point; do not depend on it to hold the fixture.

Important: To ensure full connection strength, be sure the tapered end of the plastic clutch sleeve is oriented toward the clutch when assembled and securely tighten set screw (Figure 3).

3. Thread studs (I) through appropriate holes in crossbar (G) to match holes in canopy (E).
4. Using two machine screws (not provided), fasten the crossbar (G) to the electric box.
Note: A new electric box comes with screws. When replacing a fixture, retain the existing screws for use with the new fixture.
5. Using suitable wire connectors (not provided) connect fixture wires to supply (white to white or ribbed and black to black or smooth). Connect all ground wires to green ground screw (H).
Caution: Make sure wire connectors are twisted on securely, and no bare wire is exposed.
6. Slide canopy (E) over threaded studs (I) and push firmly to ceiling, making sure that no wires are pinched between fixture canopy and ceiling. Fasten with barrel knobs (K). Be sure studs are fully seated in the barrel knobs.
7. Once the fixture is fastened to the ceiling, tighten the set screw (O) in clutch (N) firmly with hex wrench provided. Only after the set screw (O) is tight should you install the glass.
8. Refer instructions below and install glass.



(Figure 3)



(Figure 4)

(continued)

Assembly & Installation Instructions

For Single Ellipse Pendants 18-825 & 18-825F

A226

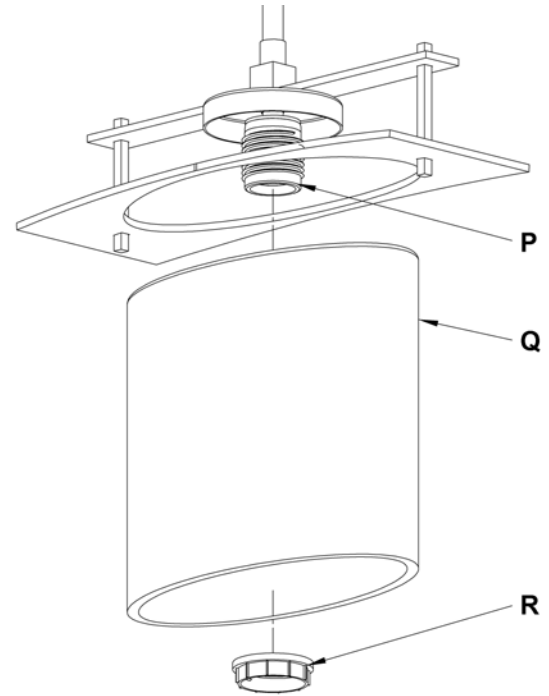
Page 3 of 3

To Install Glass (Figure 5)

Component Parts

- P Socket
- Q Glass
- R Retaining Ring

1. Remove retaining ring (R) from socket (P). Retaining Ring is shipped installed.
2. Slip glass (Q) over socket (P).
3. Thread retaining ring (R) onto socket until it rests on inside of glass (Q). Do not over tighten.
4. Install light bulb (F version bulb is included) and restore electricity at main breaker.



(Figure 5)

If you need further assistance, or find that you are missing any parts, please contact the dealer from which you purchased this product. We hope you enjoy your fixture!

* Hubbardton Forge will not be liable for injury or damage caused by improper installation, lamping or use of this fixture.