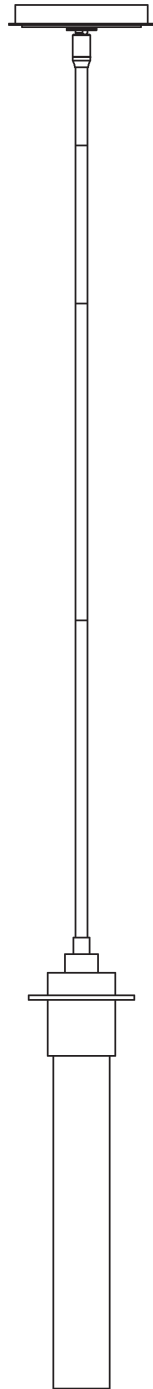


ASSEMBLY & INSTALLATION INSTRUCTIONS

A735

Airis Mini Pendant Large 187930



HUBBARDTON FORGE.

MODERN AMERICAN BLACKSMITHS | FINE, HAND CRAFTED LIGHTING
CASTLETON, VERMONT USA | HUBBARDTONFORGE.COM

Component Parts

- A 8-32 Screws**
- B Top Assembly**
- C Bottom Assembly**
- D Jam Nut**
- E Crossbar**
- F Threaded Nipple**
- G Ground Screw**
- H Swivel**
- I Canopy Ring**
- J Canopy**
- K 3" Fixture Pipe (1)**
- L 6" Fixture Pipe (1)**
- M 12" Fixture Pipe (3) Note: Only two 12" stems are shown in the illustration**
- N Stem Nipple (6)**
- O Fixture Coupling**
- P 6-32 Screw (4)**
- Q Retainer**
- R Tube Assembly**
- S Flat Head Screw (3)**
- T Screen or Glass Tube (depending on option purchased)**



ASSEMBLY & INSTALLATION INSTRUCTIONS

A735

Airis Mini Pendant Large 187930

CAUTION: FAILURE TO INSTALL THIS FIXTURE PROPERLY MAY RESULT IN SERIOUS PERSONAL INJURY OR DEATH AND PROPERTY DAMAGE. We recommend installation by a licensed electrician. This product must be installed in accordance with applicable installation code(s), by a person familiar with the construction and operation of the product and the hazards involved.*

Caution: Do not exceed maximum wattage noted on fixture. Use only recommended bulbs with fixture.

Please Note: After installation extra hardware and accessories are possible due to our kits are used on multiple products and options.

To Install Fixture *(Figure 1 and 2 on following page)*

CAUTION: BE SURE POWER IS OFF AT THE MAIN BREAKER BOX PRIOR TO INSTALLATION.

1. Carefully unpack fixture from the carton
2. Remove two 8-32 screws (A) from top assembly (B) to separate from bottom assembly (C). Set bottom assembly and 8-32 screws aside for later use.
3. Thread jam nut (D) and crossbar (E) onto threaded nipple (F) with ground screw (G) facing towards swivel (H); leave both parts loose.
4. Using two machine screws (not provided), temporarily fasten crossbar (E) to the electric box.

NOTE: A NEW ELECTRIC BOX COMES WITH SCREWS. WHEN REPLACING A FIXTURE, RETAIN THE EXISTING SCREWS FOR USE WITH THE NEW FIXTURE.

5. Adjust the length of threaded nipple (F) in crossbar (E) so that canopy ring (I) will hold canopy (J) against the ceiling with no threads showing for best appearance. When the correct adjustment is established, tighten jam nut (D) against crossbar (E) to secure the adjustment.
6. Remove crossbar (E) from the electrical box and proceed with the assembly instructions.
7. Locate fixture pipes (K, L, M), top assembly (B) and stem nipples (N). Nipples (N) can be found in the kit bag.
8. Provided are multiple fixture pipes in three different lengths. Choose the combination that will achieve the overall height desired. Refer to the table below to determine the pipes required to reach the desired overall height. Once you have determined the components necessary, feed the wires that exit fixture coupling (O) through the individual components and thread pipes and couplings together. Wires will slip easier through loose components than through pipes and couplings that are pre-assembled. Once wires are run, apply thread locking compound to all the connection points and assemble the pipes and nipples.

		Overall Height of Fixture															
		24	27	30	33	36	39	42	45	48	51	54	57	60	63	66	69
# of Pipes Required	3" Pipe (J)		1		1		1		1		1		1		1		1
	6" Pipe (K)			1	1			1	1			1	1			1	1
	12" Pipe (L)					1	1	1	1	2	2	2	2	3	3	3	3

NOTE: APPLICATION OF THE THREAD LOCKING COMPOUND IS NECESSARY TO PREVENT THE PIPE FROM LOOSENING DURING REGULAR MAINTENANCE AND CLEANING OF THE FIXTURE. BE CERTAIN TO APPLY THE COMPOUND.

9. Carefully slide canopy ring (I) and canopy (J) over wires and fixture pipes (K, L, M) until they rest on top assembly (B).
10. Slip wires from the fixture through assembled swivel (H) and thread swivel onto final pipe. It may be necessary to remove a nipple (N) for this to work on shorter overall fixture height.

ASSEMBLY & INSTALLATION INSTRUCTIONS

A735

Airis Mini Pendant Large 187930

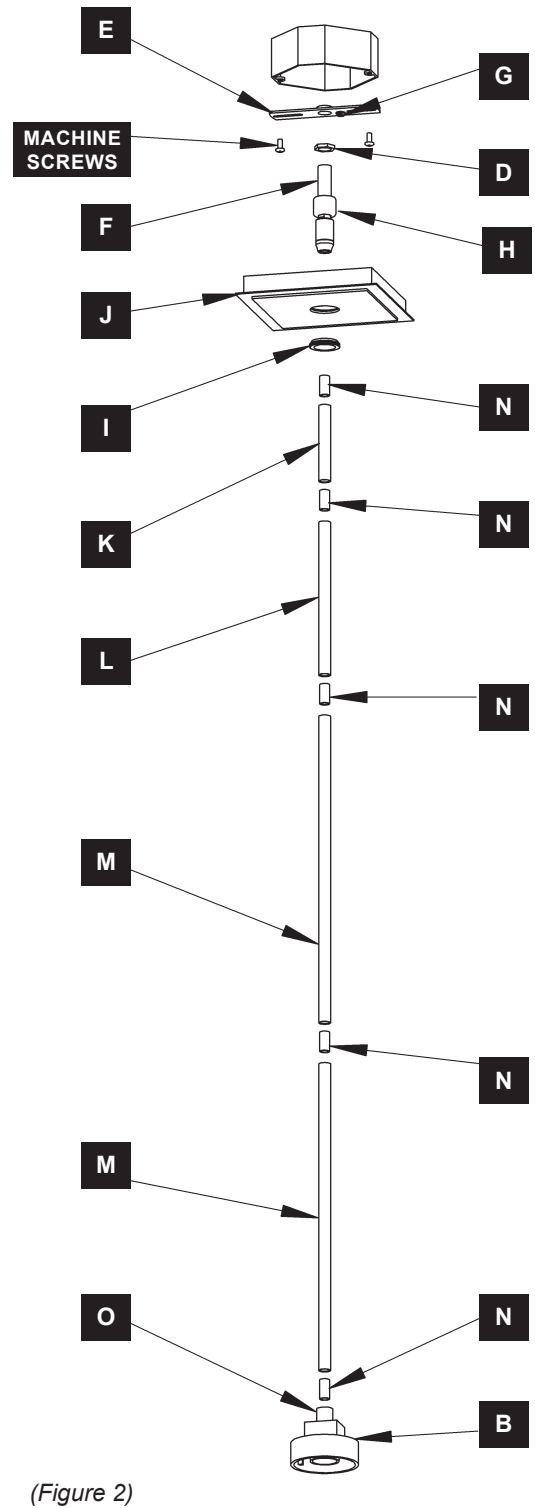
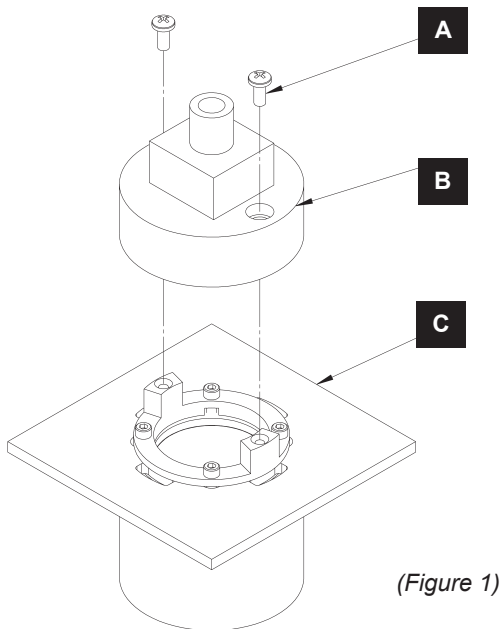
- Using two machine screws (not provided), fasten crossbar (E) to the electric box.
- Using suitable wire connectors (not provided) connect fixture wires to supply (white/ribbed to white and black/smooth to black). Attach a pigtail lead to crossbar ground screw (G). Hold canopy (J) close, connect all ground wires (bare copper or green to bare copper or green).

CAUTION: MAKE SURE WIRE CONNECTORS ARE TWISTED ON SECURELY, AND NO BARE WIRE IS EXPOSED.

- Slide canopy (J) against ceiling, and secure with canopy ring (I).

CAUTION: BE SURE NO WIRES ARE PINCHED BETWEEN CANOPY (H) AND THE CEILING.

- Continue to next page to complete the installation.



HUBBARDTON FORGE.

MODERN AMERICAN BLACKSMITHS | FINE, HAND CRAFTED LIGHTING
CASTLETON, VERMONT USA | HUBBARDTONFORGE.COM

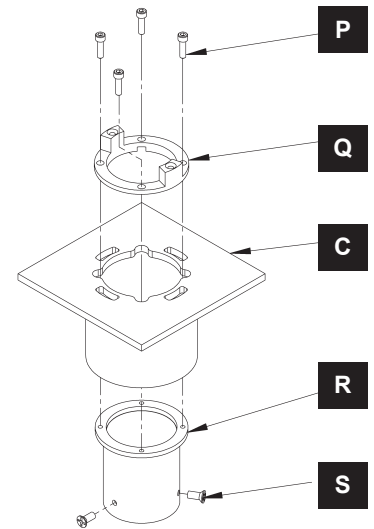
ASSEMBLY & INSTALLATION INSTRUCTIONS

A735

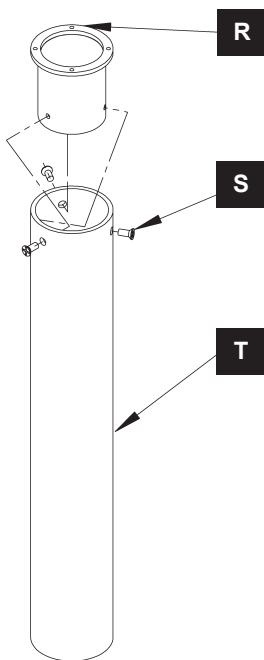
Airis Mini Pendant Large 187930

15. Refer to figure 3. Remove tube assembly (R) from bottom assembly (C) by removing four 6-32 screws (P) and separating tube assembly from retainer (Q).
16. Refer to figure 4. Remove flat head screws (S) from tube assembly then reinstall through holes in screen or glass to attach screen or glass to tube assembly. Tighten the three screws equally to center the screen or glass.
17. Refer to figure 5. Slip 6-32 screws (P) through retainer (Q) and bottom assembly (C). Thread screws (P) into tube assembly (R) and tighten with supplied Allen wrench.
18. Install GU-10 based MR-11 bulb (not included).
19. Refer to figure 6. Install 8-32 screws (A) through top assembly (B) and into bottom assembly (C). Reverse this process when replacing bulb.
20. Restore electricity at main breaker.

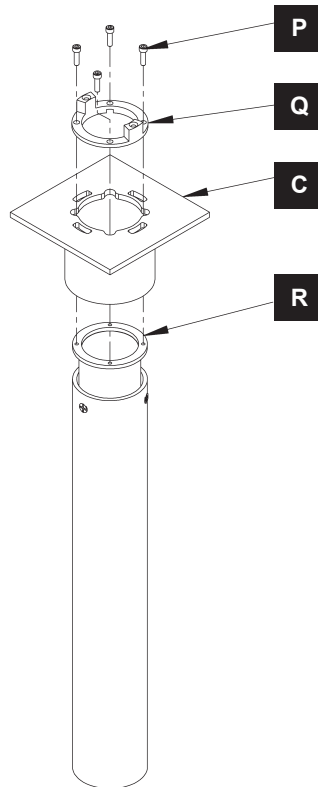
(Figure 3)



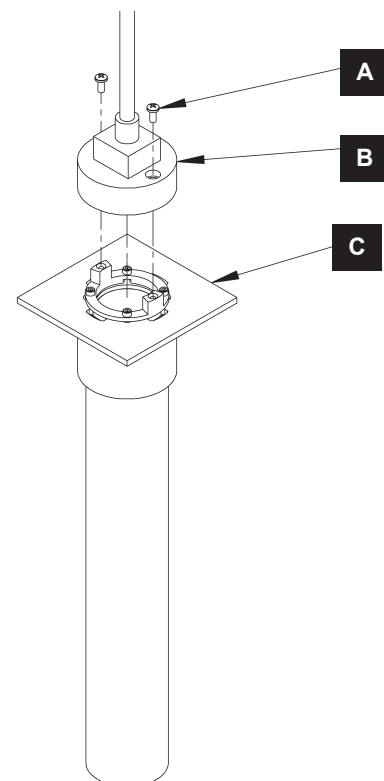
(Figure 4)



(Figure 5)



(Figure 6)



If you need further assistance, or find that you are missing any parts, please contact the dealer from which you purchased this product. We hope you enjoy your fixture!

*** Hubbardton Forge will not be liable for injury or damage caused by improper installation, lamping or use of this fixture.**