

Installation Instructions

Erlenmeyer Pendants 161060 & 161065

A320

Page 1 of 2

CAUTION: FAILURE TO INSTALL THIS FIXTURE PROPERLY MAY RESULT IN SERIOUS PERSONAL INJURY OR DEATH AND PROPERTY DAMAGE. We recommend installation by a licensed electrician.

This product must be installed in accordance with applicable installation code(s), by a person familiar with the construction and operation of the product and the hazards involved.*

Caution: Do not exceed maximum wattage noted on fixture. Use only recommended bulbs with fixture.

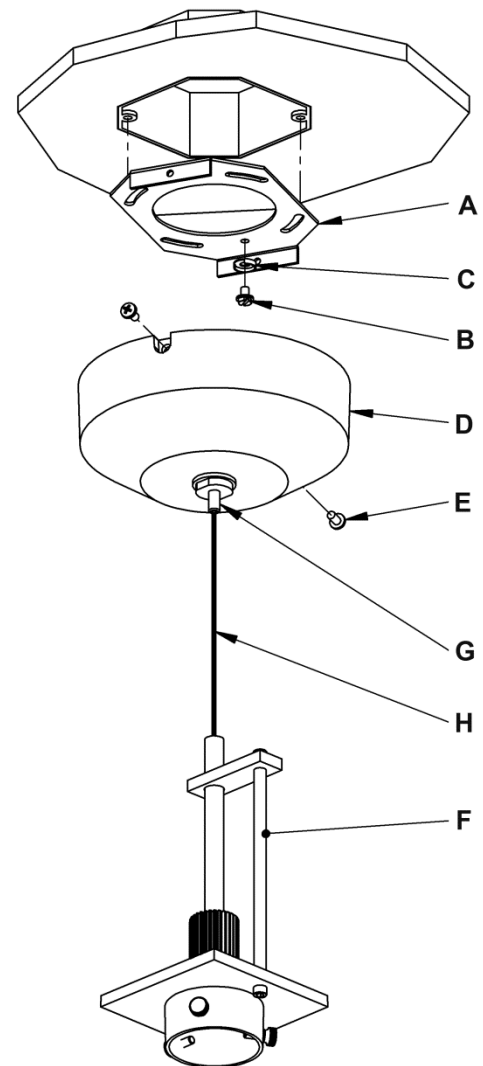
To Install the Canopy (Figure 1)

Component Parts

- A Crossbar
- B Ground Screw
- C Cupped Washer
- D Canopy
- E #8 Screws
- F Fixture
- G Canopy Gripper
- H Supply/Support Cable

Caution: Be sure power is off at the main breaker box prior to installation

1. Carefully unpack the fixture from the carton.
2. Using two machine screws (not provided), fasten the crossbar (A) to the electric box.
Note: A new electric box comes with screws. When replacing a fixture, retain the existing screws for use with the new fixture.
3. Height of fixture (F) can be set before attaching the fixture (F) to the ceiling. Push supply/support cable (H) into canopy gripper (G) until desired height is reached.
Note: Fixture is shipped at max height.
4. Using suitable wire connectors (not provided) connect fixture wires to supply wires (white to white or ribbed side of the fixture cord, black to black or smooth side). Run a pigtail lead from crossbar ground screw (B) to the junction box and connect all ground wires (bare copper or green to bare copper or green).
Caution: Make sure wire connectors are twisted on securely, and no bare wire is exposed.
5. Raise canopy (D) and fixture (F) close to ceiling. Align holes in canopy (D) with holes in crossbar (A) and secure with (2) #8 screws (E).
6. If fixture needs to be lowered to achieve desired height, push up on canopy gripper (G) and gently pull down on supply/support cable (H).
Note: Excessive movement of cable through the gripper could cause cable to fray slightly. Usage of the cable gripper is not recommended to frequently adjust the fixture up and down in height.



(Figure 1)

(continued)

Installation Instructions

Erlenmeyer Pendants 161060 & 161065

A320

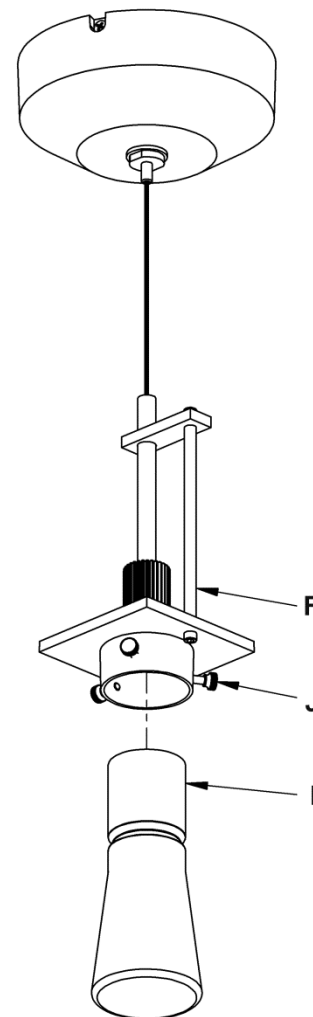
Page 2 of 2

To Install Glass (Figure 2)

Component Parts

- F Fixture
- I Glass
- J Thumb Screws

1. Install bulb (*not included*). *Be careful not to touch bulb with bare hands; oil from the hands will dramatically reduce bulb life.*
2. Loosen the three thumb screws (J). It is not necessary to remove them from the fixture.
3. Raise glass (I) until groove is aligned with thumb screws (J).
4. Tighten the three thumb screws (J) equal amounts until snug with glass (I). *Be careful not to over tighten.*
5. Restore electricity at main breaker.



(Figure 2)

If you need further assistance, or find that you are missing any parts, please contact the dealer from which you purchased this product. We hope you enjoy your fixture!

* Hubbardton Forge will not be liable for injury or damage caused by improper installation, lamping or use of this fixture.