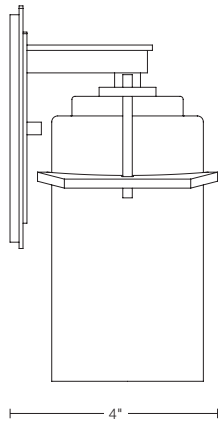
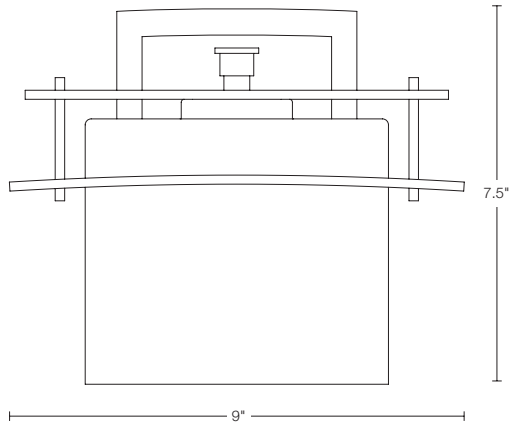




20-7521
ARC ELLIPSE SCONCE

20-752I
ARC ELLIPSE

Direct wire wall sconce with glass options. Available in a larger size; see Specification Book for details. U.S. Patent D 613,896



Dimensions

Height	7.5"
Width	9"
Projection	4"
Backplate	4.75" x 4.75"
Mounting Height	4.8"
Can	4.5" SQ
ADA Compliant?	Yes

Max Hanging Weight

4.4 lbs

Incandescent Lamping

Socket: medium
Bulb: A-15, 60 watt max

Fluorescent Lamping (20-7521F)

Socket: fluorescent: GU24
Bulb (Included): GU24 fluorescent, 9 watt

Glass

182 - Tube 6" x 5.37"

Glass Color Options

G - Opal
H - Stone
ZX - Pearl

UL / CUL Listing

Suitable for damp locations



Updated 4.11

HUBBARDTON FORGE®

HUBBARDTONFORGE.COM

FOR MORE INFORMATION CONTACT OUR CONTRACT DEPARTMENT
AT 800-826-4766 OR CONTRACT@VTFORGE.COM.

154 RT. 30 SOUTH • CASTLETON, VERMONT 05735 • T 800-826-4766 • F 877-910-3700

All designs and images © 1989-2011 Hubbardton Forge®. All rights reserved.