

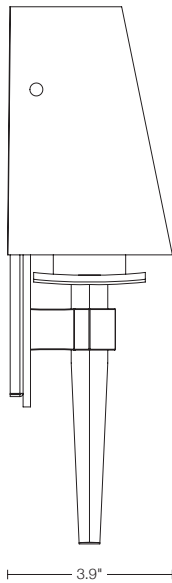
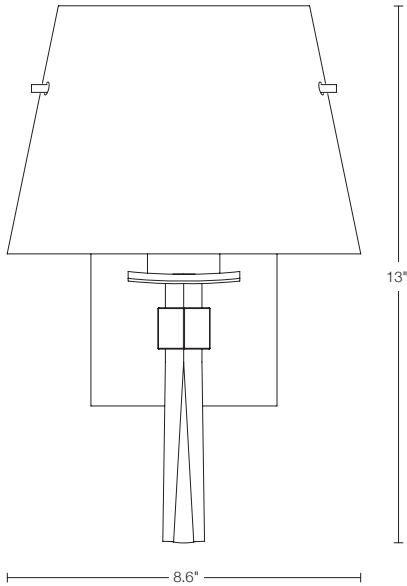


**20-4825**  
**BEACON HALL SCONCE**

*As shown: 20-4825-07-G246*

**20-4825**  
**BEACON HALL**

*Direct wire wall sconce with glass or shade options. Patent Pending*



**Dimensions**

Height	13"
Width	8.6"
Projection	3.9"
Backplate	8.5" x 4.5"
Mounting Height	9.3"
Can	8.0" x 4.3"
ADA Compliant?	Yes

**Max Hanging Weight**

4.6 lbs

**Incandescent Lamping**

Socket: medium  
Bulb: B, 60 watt max

**Fluorescent Lamping (20-4825F)**

Socket: fluorescent: GU24  
Bulb (Included): GU24 fluorescent, 13 watt

**Glass Option**

**246** - Cone 8.5" x 6"

**Glass Color Options**

**G** - Opal  
**C** - Ivory Art  
**S** - Sand

**Shade Option**

**251092** - 10" Half Drum

**Shade Color Options**

**34** - Doeskin micro-suede  
**36** - Terra micro-suede  
**37** - Eclipse micro-suede  
**48** - Natural Anna

**UL / CUL Listing**

Suitable for damp locations



Updated 5.12

**HUBBARDTON FORGE®**



HUBBARDTONFORGE.COM

FOR MORE INFORMATION CALL CUSTOMER SERVICE AT 800-826-4766

OR EMAIL CUSTOMERSERVICE@VTFORGE.COM FOR RESIDENTIAL;

CONTRACT@VTFORGE.COM FOR COMMERCIAL.

154 RT. 30 SOUTH · CASTLETON, VERMONT 05735 · T 800-826-4766 · F 877-910-3700

*All designs and images ©1989-2012 Hubbardton Forge®. All rights reserved.*