

# Assembly & Installation Instructions

20-7801 Ondrian Wall Sconce

**B265**

Page 1 of 2

**CAUTION: FAILURE TO INSTALL THIS FIXTURE PROPERLY MAY RESULT IN SERIOUS PERSONAL INJURY OR DEATH AND PROPERTY DAMAGE. We recommend installation by a licensed electrician.**

This product must be installed in accordance with applicable installation code(s), by a person familiar with the construction and operation of the product and the hazards involved.\*

**Caution:** Do not exceed maximum wattage noted on fixture. Use only recommended bulbs with fixture.

For fixtures requiring assembly, please refer to assembly instructions before installation.

**Please Note:** This fixture is designed to be mounted on a standard wall surface and may not be suitable for all applications. If installing in a non-wood frame application, we recommend consulting a qualified builder or electrician.

## To Mount Fixture to Wall (Figure 1)

### Component Parts

- |   |                       |   |  |
|---|-----------------------|---|--|
| A | Wall Mounting Bracket | D | Electric Box Cover (for 4" Outlet box) |
| B | Anchors (2)           | E | # 8 Black Screw (3)                    |
| C | #10 Screws (2)        | F | Fixture Assembly                       |

**Caution: Be sure power is off at the main breaker box prior to installation.**

1. Carefully unpack the fixture from the carton.
2. Place the wall mounting bracket (A) over the electrical box using one of the wiring holes provided being sure to hold it plum and level. **If using a single gang outlet box electric box, cover (D) is not needed.** Remove #8 black screw (E) from electric box cover (D) and save for later use. Determine which electric box cover (D) location works the best and attach to wall mounting bracket (A). With a pencil, mark the location of all mounting holes in the wall mount bracket on the wall behind.

**IMPORTANT:** Wall mounting bracket must be secured to a solidly mounted to a framing member in at least two locations. Do not depend on drywall anchors alone to support this fixture. If in doubt, contact a qualified electrician.

Drill 1/4" holes in the locations marked on the wall. For holes using anchors, place the tapered end of the anchors (B) into the holes and gently tap them flush to the wall using a light weight hammer.

3. Thread the wires in the electrical box through the hole in the wall mounting bracket (A) while moving the bracket into position. Using the 1" #10 screws (C), screw the bracket securely to the wall. Be careful not to over-tighten or strip the anchors.
4. Hold the fixture assembly (F) close to the wall mounting bracket (A) and using suitable wire connectors (not provided) connect fixture wires to supply wires (white to white, black to black, and bare copper or green to bare copper or green). Ground the mounting bracket using the green ground wire fastened to the back of the fixture assembly (F).  
**Caution:** Make sure wire connectors are twisted on securely, and no bare wires are exposed.
5. Carefully tuck all wires behind the fixture assembly (F) and inside the wall mounting bracket (A) and place the fixture over the bracket so the holes in the top and bottom match the threaded holes in the wall mounting bracket (A). Secure the fixture by threading the #8 black screws (E) through the holes in the fixture assembly (F) and into the wall mounting bracket (B).
6. Install G-9 light bulbs (included)

**Note:** The bulb included is based on our design preference; see the fixtures wattage sticker for Max wattage information.

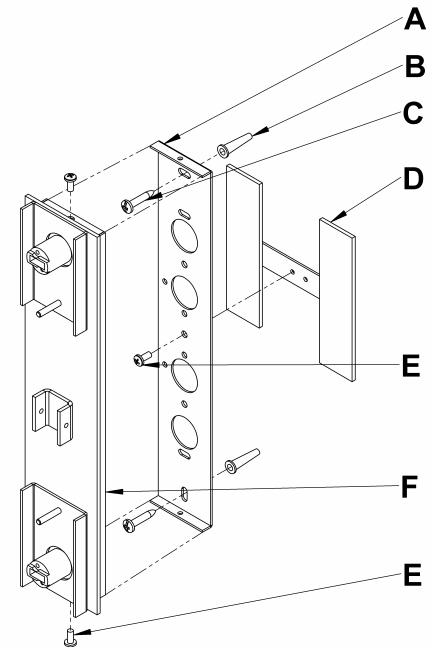


Figure 1

(continued...)

# Assembly & Installation Instructions

20-7801 Ondrian Wall Sconce

**B265**

Page 2 of 2

## **To Install Glass to Fixture** (Figure 2)

### Component Parts

- F Fixture
- G Glass (2)
- H Rubber O-Ring (2)
- I Knurled Ball (2)

1. Align glass (G) so that the bulb passes through the large hole and threaded rod passes through smaller hole
2. Slide glass (G) over light bulbs until it come in contact with the fixture (F).
3. Slide rubber o-ring over threaded rod until tight against glass
4. Hold the glass in place while threading the knurled ball (I) onto the threaded rod until tight.

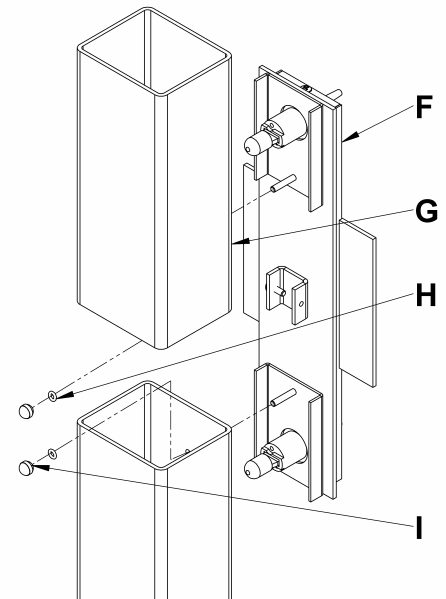


Figure 2

## **To Install Center Badge** (Figure 3)

### Component Parts

- J #8 Black Hex Head Screw
- K Center Badge Assembly

1. Remove screw (J) from glass mounting bracket. Save for later use. *Screw is shipped installed in bracket.*
2. Slide center badge assembly (K) onto the mounting bracket until it touches
3. Align small threaded hole in the mounting bracket with hole in center badge assembly (K).
4. Attach center badge assembly (K) to mounting bracket with screw (J). Tighten with proved allen wrench.

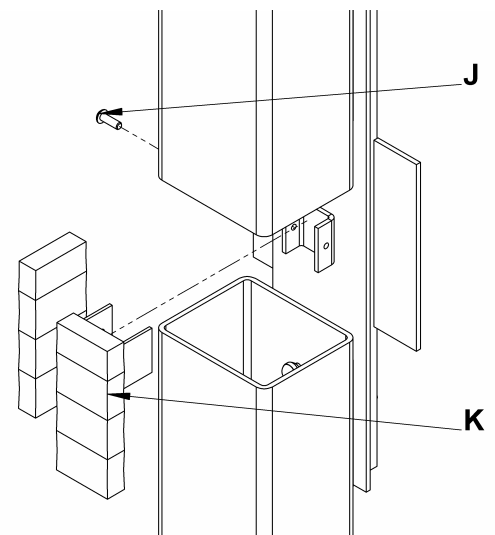


Figure 3

**Note:** The center badge can be mounted as shown or in reverse.

*If you need further assistance, or find that you are missing any parts, please contact the dealer from which you purchased this product. We hope you enjoy your fixture!*

\* Hubbardton Forge will not be liable for injury or damage caused by improper installation, lamping or use of this fixture.