

Installation Instructions

CAUTION: FAILURE TO INSTALL THIS FIXTURE PROPERLY MAY RESULT IN SERIOUS PERSONAL INJURY OR DEATH AND PROPERTY DAMAGE. We recommend installation by a licensed electrician.

This product must be installed in accordance with applicable installation code(s), by a person familiar with the construction and operation of the product and the hazards involved.*

Caution: Do not exceed maximum wattage noted on fixture. Use only recommended bulbs with fixture.

Please Note: This fixture is designed to be mounted on a standard wall surface and may not be suitable for all applications. If installing in a non-wood frame application, we recommend consulting a qualified builder or electrician.

After installation extra hardware and accessories are possible; our kits are used on multiple products and options.

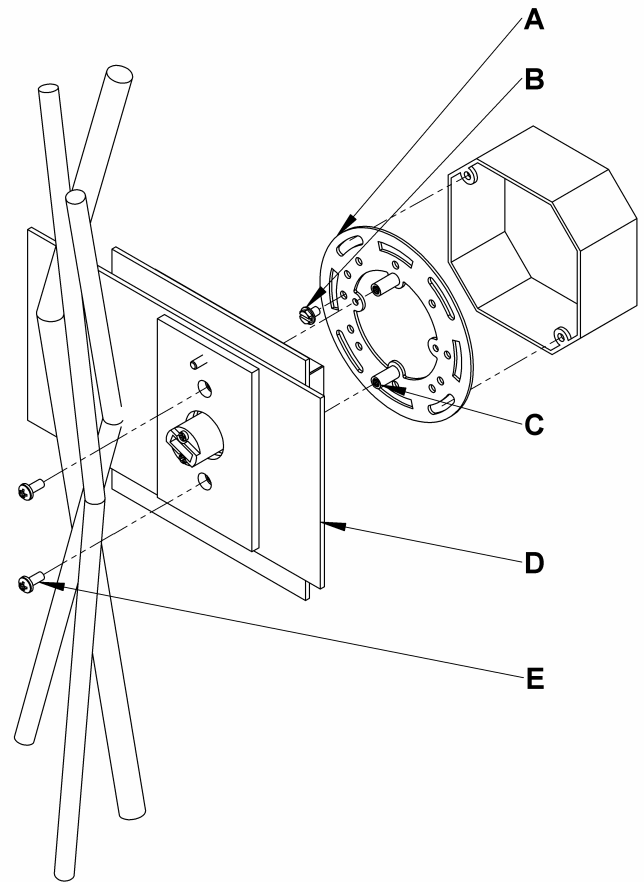
To Mount Fixture to Wall with Standard 4" Box (Figure 1)

Component Parts

- | | |
|---------------------|-----------------------|
| A Crossbar Assembly | D Fixture |
| B Ground Screw | E 8-32 Mounting Screw |
| C Threaded Standoff | |

Caution: Be sure power is off at the main breaker box prior to installation.

- Carefully unpack the fixture from the carton.
- Attach two threaded standoffs (C) to the crossbar (A) using two 8-32 x 1/4" screws provided.
- Using two machine screws (not provided), fasten the crossbar (A) to the electric box making crossbar (A) is level.
Note: A new electric box comes with screws. When replacing a fixture, retain the existing screws for use with the new fixture.
- Hold the fixture assembly (D) close to the wall and using suitable wire connectors, not provided, connect fixture wires to supply (white to white or ribbed and black to black or smooth). Run a pigtail lead from crossbar ground screw (B) to the junction box and connect all ground wires (bare copper or green to bare copper or green)
Caution: Make sure wire connectors are twisted on securely, and no bare wire is exposed.
- Slide fixture assembly (D) over threaded standoffs (C) and push firmly to wall, making sure that no wires are pinched between fixture back and wall. Fasten with mounting screws (E).
- See instructions following to install glass.



(Figure 1)

(continued)

Installation Instructions

Brindille Glass Sconce 20-7670L & 20-7670R

B257

Page 2 of 2

To Install Glass (Figure 2)

Component Parts

F	Washer	J	G9 Socket
G	Rubber o-ring	K	Bulb (Included)
H	Knurled Ball	L	Glass
I	Threaded Stud		

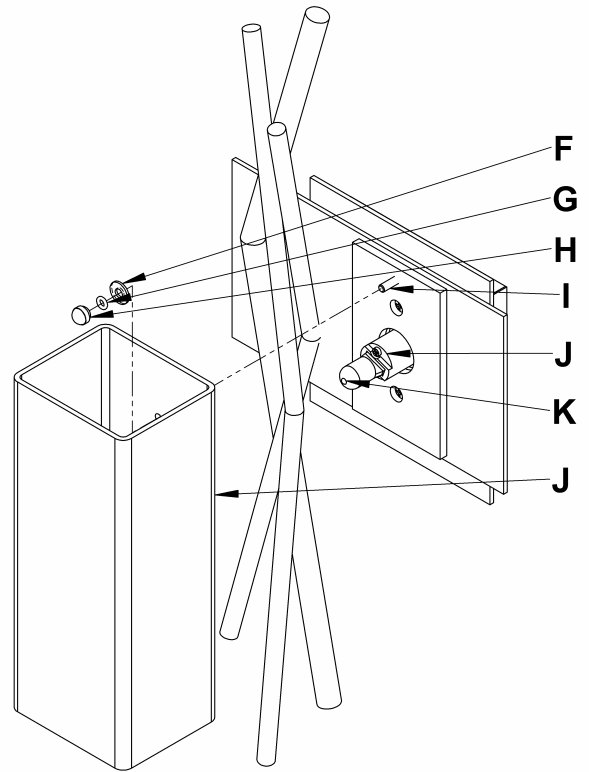
1. Install light bulb (K). Be careful not to touch bulb with bare hands; oil from the hands will dramatically reduce bulb life.

Note: The bulb included is based on our design preference; see the fixtures wattage sticker for Max wattage information.

2. Unscrew knurled ball (H) from threaded stud (I) and remove washer and o-ring (F & G)
3. Slip glass (J) over socket (J) such that the threaded stud (I) aligns with the small hole in the glass (J).
4. Slide washer (F) over threaded stud followed by o-ring (G). Thread knurled ball (F) to threaded stud (I) until the glass is tight to the fixture.

Note: The glass is mouth blown and slight variations in thickness are normal. Washer may not be required if glass thickness makes it difficult to thread knurled ball.

5. Restore electricity at the main breaker.



(Figure 2)

If you need further assistance, or find that you are missing any parts, please contact the dealer from which you purchased this product. We hope you enjoy your fixture!

* Hubbardton Forge will not be liable for injury or damage caused by improper installation, lamping or use of this fixture.