

Assembly & Installation Instructions

B322

Quill Sconce 207440

Page 1 of 2

CAUTION: FAILURE TO INSTALL THIS FIXTURE PROPERLY MAY RESULT IN SERIOUS PERSONAL INJURY OR DEATH AND PROPERTY DAMAGE. We recommend installation by a licensed electrician. This product must be installed in accordance with applicable installation code(s), by a person familiar with the construction and operation of the product and the hazards involved.*

Caution: Do not exceed maximum wattage noted on fixture. Use only recommended bulbs with fixture.

Please Note: This fixture is designed to be mounted on a standard wall surface and may not be suitable for all applications. If installing in a non-wood frame application, we recommend consulting a qualified builder or electrician.

Please Note: After installation, extra hardware and accessories may be left due to kits being used on multiple products..

To Mount Fixture to Wall (Figure 1)

Component Parts

- | | |
|--------------------|-----------------------|
| A Fixture | E Cupped Washer |
| B Mounting Bracket | F Ground Screw |
| C Anchors (4) | G #8 Black Screws (4) |
| D #10 Screws (4) | |

CAUTION: BE SURE POWER IS OFF AT THE MAIN BREAKER BOX PRIOR TO INSTALLATION.

1. Carefully unpack the fixture from the carton.
2. Place the mounting bracket (B) over the electrical box being sure to hold it plum and level. With a pencil, mark the location of all mounting holes in the mounting bracket (B) on the wall behind. Set mounting bracket aside.
3. Drill 1/4" holes in the locations marked on the wall. For holes using anchors, place the tapered end of the anchors (C) into the holes and gently tap them flush to the wall using a light weight hammer.
4. Thread the wires in the electrical box through the hole in the mounting bracket (B) while moving the bracket into position. Using the 1" #10 screws (D), screw the bracket securely to the wall. Be careful not to over-tighten or strip the anchors.
5. Using two machine screws (not provided) fasten the mounting bracket (B) to the electric box.

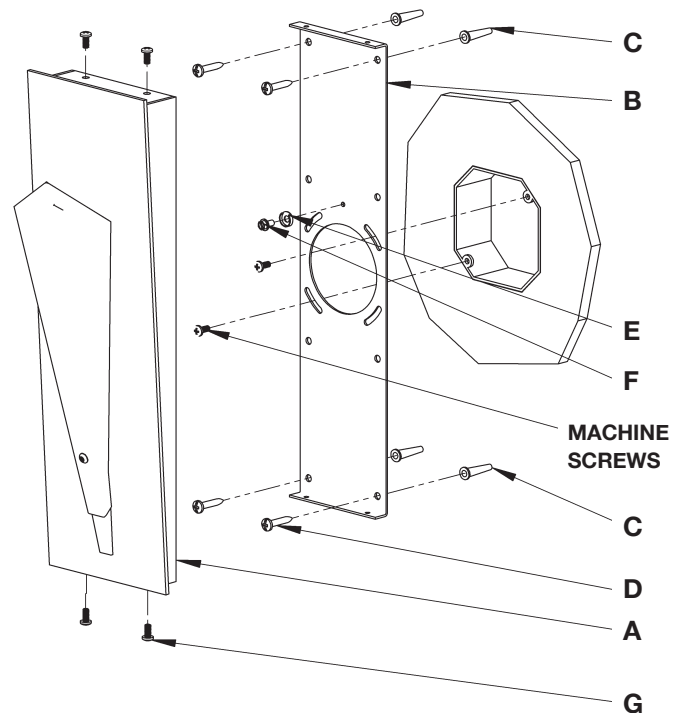
Note: A new electric box comes with screws. When replacing an existing fixture, retain screws for use with the new fixture.

6. Hold the fixture (A) close to the mounting bracket (B) and using suitable wire connectors (not provided) connect fixture wires to supply wires (white to white and black to black). Attach cupped washer (E) and ground screw (F) to mounting bracket and run a pigtail lead from the ground screw (F) to the electrical box and connect all ground wires (bare copper or green to bare copper or green).

(Continued)

If you need further assistance, or find that you are missing any parts, please contact the dealer from which you purchased this product. We hope you enjoy your fixture!

* Hubbardton Forge will not be liable for injury or damage caused by improper installation, lamping or use of this fixture.



(Figure 1)

Assembly & Installation Instructions

B322

Quill Sconce 207440

Page 2 of 2

To Mount Fixture to Wall (Figure 1)

(Continued)

CAUTION: MAKE SURE WIRE CONNECTORS ARE TWISTED ON SECURELY, AND NO BARE WIRES ARE EXPOSED.

7. Carefully tuck all wires behind the fixture (A) and inside the mounting bracket (B) and place the fixture firmly onto bracket (B) and fasten with #8 black screws (H) on top .
8. Install two remaining black screws (H) in bottom of fixture (A) attaching to mounting bracket (B).
9. Restore electricity at main breaker.

If you need further assistance, or find that you are missing any parts, please contact the dealer from which you purchased this product. We hope you enjoy your fixture!

***Hubbardton Forge will not be liable for injury or damage caused by improper installation, lamping or use of this fixture.**