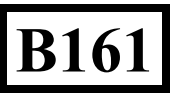


Installation Instructions

For Sconces 20-6301L, 20-6301R, 20-6301EL & 20-6301ER



Page 1 of 2

CAUTION: FAILURE TO INSTALL THIS FIXTURE PROPERLY MAY RESULT IN SERIOUS PERSONAL INJURY OR DEATH AND PROPERTY DAMAGE. We recommend installation by a licensed electrician.

This product must be installed in accordance with applicable installation code(s), by a person familiar with the construction and operation of the product and the hazards involved.*

Caution: Do not exceed maximum wattage noted on fixture. Use only recommended bulbs with fixture.

For fixtures requiring assembly, please refer to assembly instructions before installation.

Please Note: This fixture is designed to be mounted on a standard wall surface and may not be suitable for all applications. If installing in a non-wood frame application, we recommend consulting a qualified builder or electrician.

To Mount Fixture to Wall (Figure 1)

Component Parts

- A Crossbar
- B Fixture Assembly
- C Screws (2)
- D Ground Screw

Caution: Be sure power is off at the main breaker box prior to installation.

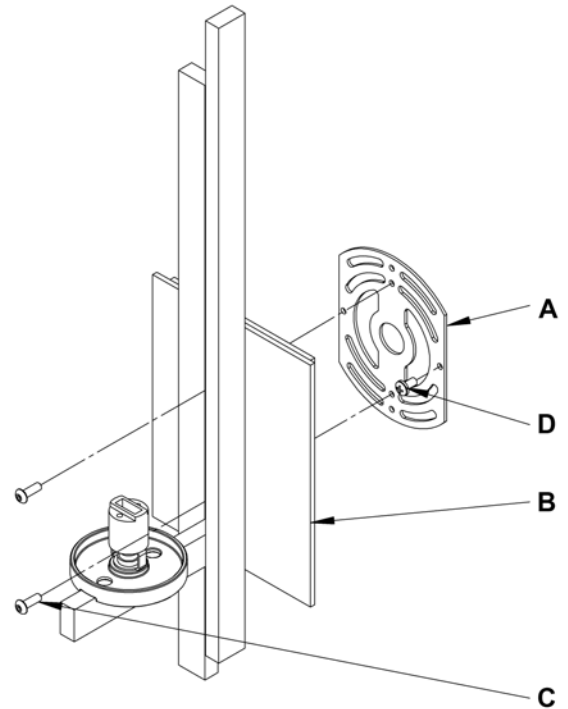
1. Carefully unpack the fixture from the carton.
2. Using two machine screws (not provided), fasten the crossbar (A) to the electric box making sure that fixture mounting holes are level.

Note: A new electric box comes with screws. When replacing a fixture, retain the existing screws for use with the new fixture.

3. Hold the fixture assembly (B) close to the wall and using suitable wire connectors, not provided, connect fixture wires to supply (white to white or ribbed and black to black or smooth). Run a pigtail lead from crossbar ground screw (D) to the junction box and connect all ground wires (bare copper or green to bare copper or green).

Caution: Make sure wire connectors are twisted on securely, and no bare wire is exposed.

4. Carefully tuck all wires behind the crossbar (A) and place the fixture assembly (B) over the crossbar so the holes in the top and bottom match the threaded holes in the crossbar. Secure the fixture by threading the screws (C) through the holes in the fixture assembly (B) and into the crossbar (A) using supplied allen wrench.
5. See instructions on next page to install glass.



(Figure 1)

This illustration represents a typical fixture and may not match every style.

Installation Instructions

For Sconces 20-6301L, 20-6301R, 20-6301EL & 20-6301ER

B161

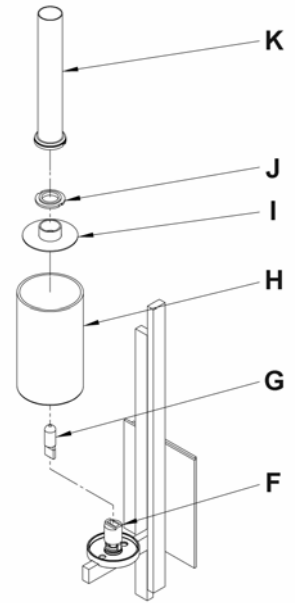
Page 2 of 2

To Install Glass with G9 Option (Figure 2)

Component Parts

- F Socket
- G Bulb (Included)
- H Glass
- I Washer Assembly
- J Retaining Ring
- K Socket Tool

1. Install light bulb (G). Be careful not to touch bulb with bare hands; oil from the hands will dramatically reduce bulb life.
2. Slip glass (H) over socket (F).
3. Slip washer assembly (I) over socket (F) so it rests on glass (H).
4. Thread retaining ring (J) onto socket (F) using provided socket tool (K). (be careful not to over tighten).
5. Restore electricity at main breaker.



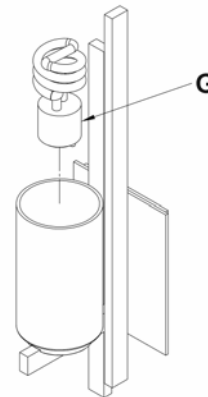
(Figure 2)

To Install Glass with GU24 Option (Figures 3 & 4)

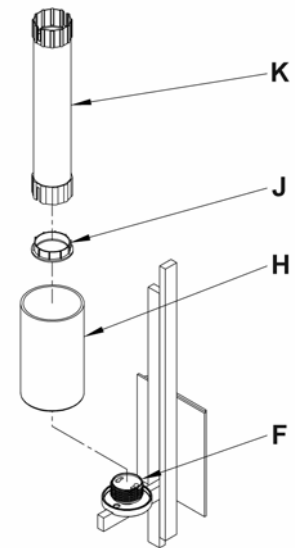
Component Parts

- F Socket
- G Bulb (Included)
- H Glass
- J Retaining Ring
- K Socket Tool

1. Remove retaining ring (J) from socket (F). *Retaining Rings are shipped installed.*
2. Slip glass (H) over socket (F).
3. Thread retaining ring (J) onto socket (F) using provided socket tool (K) provided until it rests on inside of glass (H). *Do not over tighten.*
4. Install light bulb (G).
5. Restore electricity at main breaker.



(Figure 4)



(Figure 3)

If you need further assistance, or find that you are missing any parts, please contact the dealer from which you purchased this product. We hope you enjoy your fixture!

* Hubbardton Forge will not be liable for injury or damage caused by improper installation, lamping or use of this fixture.