

# Installation Instructions

## For Direct Wire Wall Mounted Fixtures – B

**CAUTION: FAILURE TO INSTALL THIS FIXTURE PROPERLY MAY RESULT IN SERIOUS PERSONAL INJURY OR DEATH AND PROPERTY DAMAGE. We recommend installation by a licensed electrician.**

This product must be installed in accordance with applicable installation code(s), by a person familiar with the construction and operation of the product and the hazards involved.\*

**Caution:** Do not exceed maximum wattage noted on fixture. Use only recommended bulbs with fixture.

For fixtures requiring assembly, please refer to assembly instructions before installation.

**Please Note:** This fixture is designed to be mounted on a standard wall surface and may not be suitable for all applications. If installing in a non-wood frame application, we recommend consulting a qualified builder or electrician.

### Component Parts

- |                              |                      |
|------------------------------|----------------------|
| <b>A</b> Two Machine Screws  | <b>E</b> Black Wire  |
| <b>B</b> Green Ground Screws | <b>F</b> Ground Wire |
| <b>C</b> Crossbar            | <b>G</b> White Wire  |
| <b>D</b> Box Machine Screws  |                      |

### To Install

**Caution: Be sure power is off at the main breaker box prior to installation.**

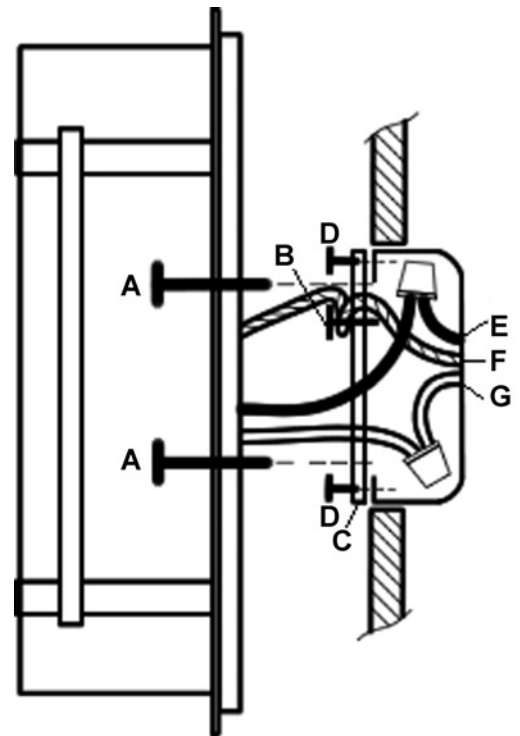
- Carefully unpack the fixture from the carton.
- Using two machine screws (D, not provided), fasten the crossbar (C) to the electric box (see illustration), making sure that fixture mounting holes are level.

**Note:** A new electric box comes with screws. When replacing a fixture, retain the existing screws for use with the new fixture.

- Using suitable wire connectors (not provided) connect fixture wires to supply wires (white to white (G) and black to black (E)). If the fixture is wired with twin lead lamp cord, connect white to ribbed side of the fixtures cord, black to smooth side. Connect all ground wires (F) to crossbar ground screw (B).

**Caution:** Make sure wire connectors are twisted on securely, and no bare wire is exposed.

- Place fixture firmly against wall and fasten with two machine screws (A).
- Install light bulb(s) (not provided).
- Restore electricity at main breaker.



*This illustration represents a typical fixture and may not match every style.*

*If you need further assistance, or find that you are missing any parts, please contact the dealer from which you purchased this product. We hope you enjoy your fixture!*

\* Hubbardton Forge will not be liable for injury or damage caused by improper installation, lamping or use of this fixture.