

Assembly & Installation Instructions

For Wall Sconce 20-4672

B114

Page 1 of 2

CAUTION: FAILURE TO INSTALL THIS FIXTURE PROPERLY MAY RESULT IN SERIOUS PERSONAL INJURY OR DEATH AND PROPERTY DAMAGE. We recommend installation by a licensed electrician.

This product must be installed in accordance with applicable installation code(s), by a person familiar with the construction and operation of the product and the hazards involved.*

Caution: Do not exceed maximum wattage noted on fixture. Use only recommended bulbs with fixture.

Please Note: This fixture is designed to be mounted on a standard wall surface and may not be suitable for all applications. If installing in a non-wood frame application, we recommend consulting a qualified builder or electrician.

To Mount Fixture to Wall (Figure 1)

Component Parts

- A Crossbar
- B Threaded Stud (2)
- C Barrel Knob (2)
- D Fixture Assembly

Caution: Be sure power is off at the main breaker box prior to installation.

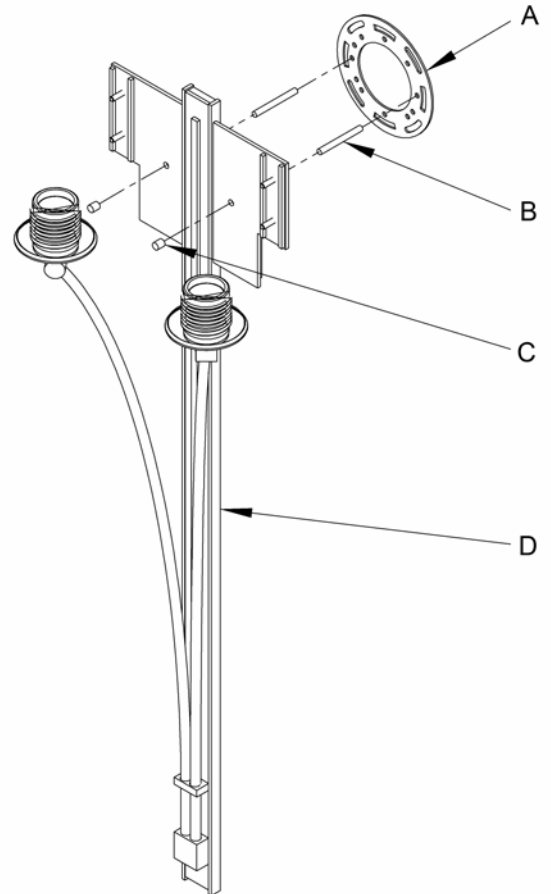
1. Carefully unpack the fixture from the carton.
2. Using two machine screws (not provided), fasten the crossbar (B) to the electric box making sure that fixture mounting holes are level.

Note: A new electric box comes with screws. When replacing a fixture, retain the existing screws for use with the new fixture.

3. Thread studs (B) into the appropriate holes in the crossbar (A). Adjust the studs to proper length to ensure the fixture will fit snugly to the wall.
4. Hold the fixture assembly (D) close to the wall and using suitable wire connectors (not provided) connect fixture wires to supply wires (white to white, black to black, and bare copper or green to bare copper or green).

Caution: Make sure wire connectors are twisted on securely, and no bare wires are exposed.

5. Slide fixture assembly (D) over threaded studs (B) and push firmly to wall, making sure that no wires are pinched between fixture back and wall. Fasten with barrel knobs (C). Be sure threaded studs (B) are fully seated in the barrel knobs (C).
6. See instructions next page to install glass.
7. Install bulb.
8. Restore electricity at main breaker.



(Figure 1)

(continued)

Assembly & Installation Instructions

For Wall Sconce 20-4672

B114

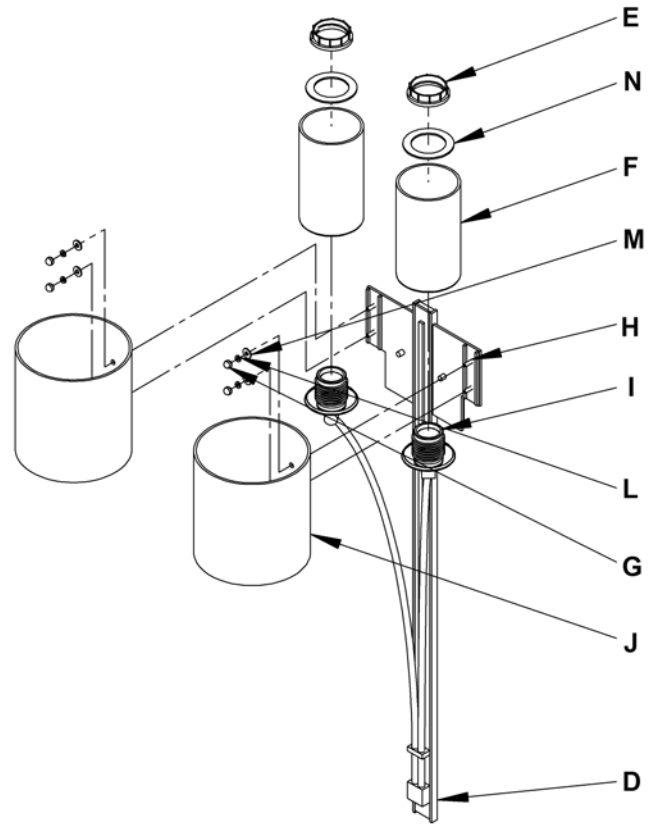
Page 2 of 2

To Install Glass (Figures 2 & 3)

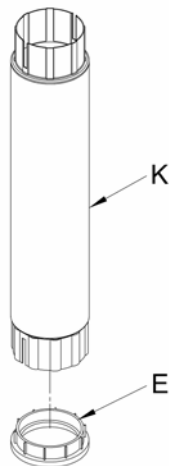
Component Parts

- D Fixture Assembly
- E Retaining Ring (2)
- F Inner Glass (2)
- G Knurl Ball (4)
- H Studs (4)
- I Lamp Socket (2)
- J Outer Glass (2)
- K Socket Tool
- L Neoprene Washer (4)
- M Flat Washer (2)
- N White Washer

1. Align outer glass (J) over studs (H) protruding from fixture assembly (D).
2. Slip flat washer (M) and neoprene washer (L) onto studs (H).
3. Thread knurl balls (G) onto studs (H) until snug against inside of outer glass (J). Do not over tighten.
4. Place inner glass (F) over lamp socket (I).
5. Slip white washer (N) over lamp socket (I) until it rests on bottom of inner glass (F).
6. Thread retaining ring (E) onto lamp socket using socket tool provided (K) until it rests on the white washer (N). Do not over tighten.



(Figure 2)



(Figure 3)

If you need further assistance, or find that you are missing any parts, please contact the dealer from which you purchased this product. We hope you enjoy your fixture!

* Hubbardton Forge will not be liable for injury or damage caused by improper installation, lamping or use of this fixture.