

Assembly & Installation Instructions

B318

Lisse Sconce 203050

Page 1 of 3

CAUTION: FAILURE TO INSTALL THIS FIXTURE PROPERLY MAY RESULT IN SERIOUS PERSONAL INJURY OR DEATH AND PROPERTY DAMAGE. We recommend installation by a licensed electrician. This product must be installed in accordance with applicable installation code(s), by a person familiar with the construction and operation of the product and the hazards involved.*

Caution: Do not exceed maximum wattage noted on fixture. Use only recommended bulbs with fixture.

Please Note: This fixture is designed to be mounted on a standard wall surface and may not be suitable for all applications. If installing in a non-wood frame application, we recommend consulting a qualified builder or electrician.

After installation, extra hardware and accessories may be left due to kits being used on multiple products.

To Mount Fixture to Single Box (Figure 1)

Component Parts

- A Fixture
- B Mounting Bracket
- F Cupped Washer
- G Ground Screw
- H #8 Black Screws (4)

CAUTION: BE SURE POWER IS OFF AT THE MAIN BREAKER BOX PRIOR TO INSTALLATION.

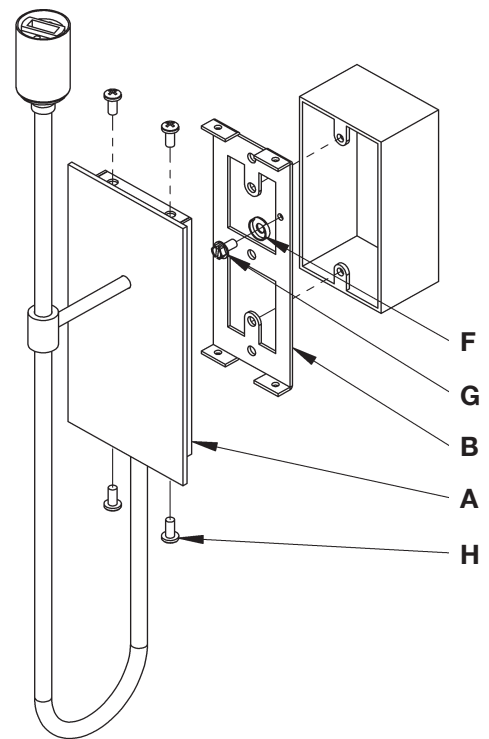
1. Carefully unpack the fixture from the carton.
2. Using two machine screws (not provided), fasten the mounting bracket (B) to the electric box.

Note: A new electric box comes with screws. When replacing a fixture, retain the existing screws for use with the new fixture.

3. Hold the fixture (A) close to the mounting bracket (B) and using suitable wire connectors (not provided) connect fixture wires to supply wires (white to white and black to black). Run a pigtail lead from the ground screw (G) and cupped washer (F) to the electrical box and connect all ground wires (bare copper or green to bare copper or green).

CAUTION: MAKE SURE WIRE CONNECTORS ARE TWISTED ON SECURELY, AND NO BARE WIRE IS EXPOSED.

4. Carefully tuck all wires behind the fixture (A) and inside the mounting bracket (B). Place the fixture (A) firmly onto bracket (B) and fasten with #8 black screws (H) on top.
5. Install two remaining black screws (H) in bottom of fixture (A) attaching to mounting bracket (B).



(Figure 1)

(Continued)

If you need further assistance, or find that you are missing any parts, please contact the dealer from which you purchased this product. We hope you enjoy your fixture!

* Hubbardton Forge will not be liable for injury or damage caused by improper installation, lamping or use of this fixture.

Assembly & Installation Instructions

B318

Lisse Sconce 203050

Page 2 of 3

To Mount Fixture to 4" Box (Figure 2)

Component Parts

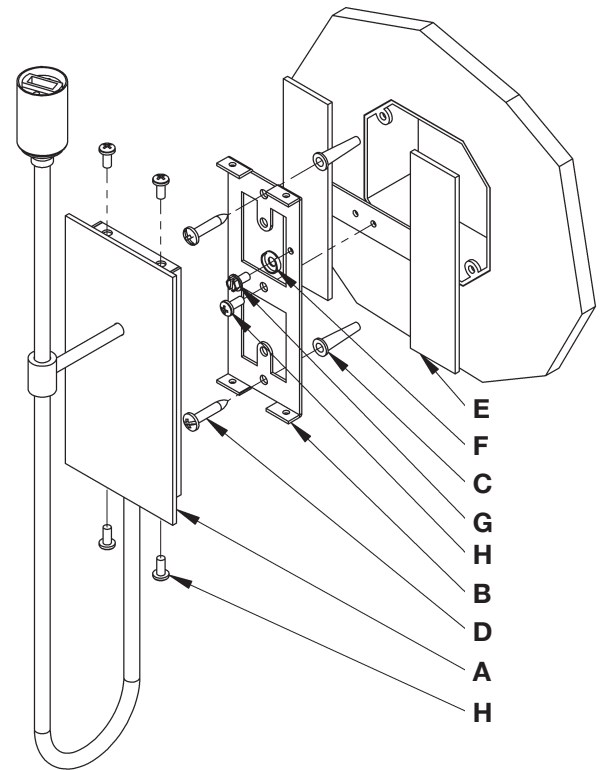
- A Fixture
- B Mounting Bracket
- C Anchors (2)
- D #10 Screws (2)
- E Electric Box Cover (4" box)
- F Cupped Washer
- G Ground Screw
- H #8 Black Screws (5)

CAUTION: BE SURE POWER IS OFF AT THE MAIN BREAKER BOX PRIOR TO INSTALLATION.

1. Carefully unpack the fixture from the carton.
2. Remove #8 black screw (H) from electric box cover (E). Attach electric box cover (E) to wall mounting bracket (B) using #8 black screw (H).
3. With a pencil, mark the location of all mounting holes in the wall mount bracket (B) on the wall behind.
4. Drill 1/4" holes in the locations marked on the wall. For holes using anchors, place the tapered end of the anchors (C) into the holes and gently tap them flush to the wall using a light weight hammer.
5. Thread the wires in the electrical box through the hole in the wall mounting bracket (B) while moving the bracket into position. Using the 1" #10 screws (D), screw the bracket securely to the wall. Be careful not to over-tighten or strip the anchors.
6. Hold the fixture (A) close to the mounting bracket (B) and using suitable wire connectors (not provided) connect fixture wires to supply wires (white to white and black to black). Run a pigtail lead from the ground screw (G) and cupped washer (F) to the electrical box and connect all ground wires (bare copper or green to bare copper or green).

CAUTION: MAKE SURE WIRE CONNECTORS ARE TWISTED ON SECURELY, AND NO BARE WIRE IS EXPOSED.

7. Carefully tuck all wires behind the fixture (A) and inside the mounting bracket (B). Place the fixture (A) firmly onto bracket (B) and fasten with #8 black screws (H) on top.
8. Install two remaining black screws (H) in bottom of fixture (A).



(Figure 2)

If you need further assistance, or find that you are missing any parts, please contact the dealer from which you purchased this product. We hope you enjoy your fixture!

*Hubbardton Forge will not be liable for injury or damage caused by improper installation, lamping or use of this fixture.

Assembly & Installation Instructions

B318

Lisse Sconce 203050

Page 2 of 3

To Install Glass (Figure 3)

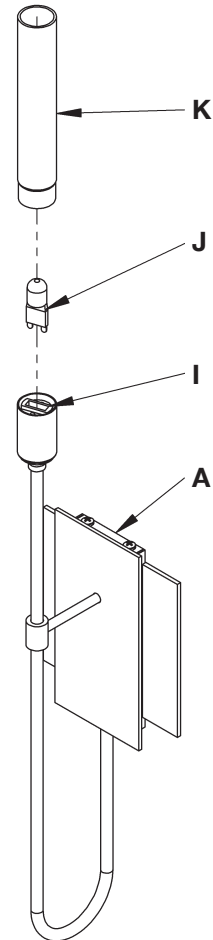
Component Parts

- A Fixture
- I Socket
- J Bulb (Included)
- K Glass

1. Install light bulb (J) into socket (I). Be careful not to touch bulb with bare hands; oil from the hands will dramatically reduce bulb life.

Note: The bulb included is based on our design preference; see the fixtures wattage sticker for Max wattage information.

2. Slip glass (K) over bulb (J) and thread onto socket (I). Be careful not to over tighten.
3. Restore electricity at main breaker.



(Figure 3)

If you need further assistance, or find that you are missing any parts, please contact the dealer from which you purchased this product. We hope you enjoy your fixture!

* Hubbardton Forge will not be liable for injury or damage caused by improper installation, lamping or use of this fixture.