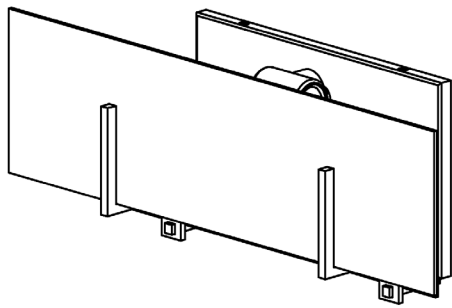


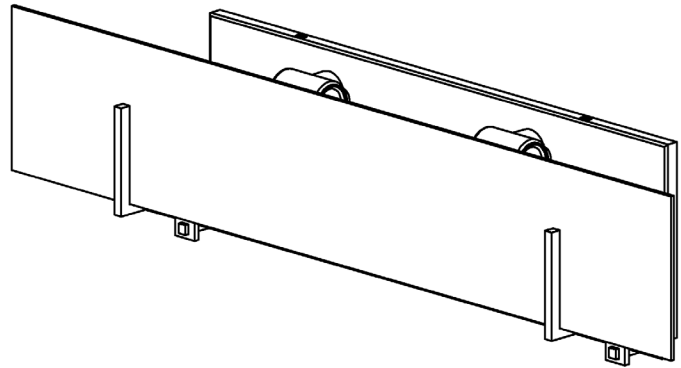
ASSEMBLY & INSTALLATION INSTRUCTIONS

B396

HF Reflections — Radiance Sconces 202150 & 202153



202150



202153

(SHOWN IN ILLUSTRATIONS)

Component Parts

- A Fixture**
- B Mounting Bracket**
- C Anchors (4) - Only Used on Large Version**
- D #10 Screws (4) - Only Used on Large Version**
- E Flat Head Screws (4)**
- F Pan Head Screws (2)**
- G Socket**
- H Bulb (Not Included)**
- I Glass**
- J Screw (2)**



CAUTION: FAILURE TO INSTALL THIS FIXTURE PROPERLY MAY RESULT IN SERIOUS PERSONAL INJURY OR DEATH AND PROPERTY DAMAGE. We recommend installation by a licensed electrician. This product must be installed in accordance with applicable installation code(s), by a person familiar with the construction and operation of the product and the hazards involved.*

Caution: Do not exceed maximum wattage noted on fixture. Use only recommended bulbs with fixture.

To Install Fixture *(Figure 1 - following page)*

CAUTION: BE SURE POWER IS OFF AT THE MAIN BREAKER BOX PRIOR TO INSTALLATION.

1. Carefully unpack the fixture (A) from the carton.
2. Remove flat head screws (E) from mounting bracket (B). Separate parts and set aside for later use.
3. Place the mounting bracket (B) over the electrical box being sure to hold it level. Line up holes in mounting bracket with holes in electrical box.

If Installing Large Version 202153, Complete Steps 4-6:

4. With a pencil, mark the location of all mounting holes in the mounting bracket (B) on the wall behind. Set bracket aside.
5. Drill 1/4" holes in the locations marked on the wall. Place the tapered end of the anchors (C) into the holes and gently tap them flush to the wall using a light weight hammer.
6. Thread the wires in the electrical box through the hole in the mounting bracket (B) while moving the bracket into position. Using (2) pan head screws (F) found in kit bag, fasten bracket (B) to the box. Using #10 screws (D), screw the mounting bracket securely to the wall. Be careful not to over-tighten or strip the anchors (C).

If Installing Small Version 202150, Complete Step 7:

7. Thread the wires in the electrical box through the hole in the mounting bracket (B) while moving the bracket into position. Using (2) pan head screws (F) found in kit bag, fasten bracket (B) to the wall.
8. Hold fixture (A) close to wall. Using suitable wire connectors (not provided), connect fixture wires to supply wires (white to white and black to black). Connect all ground wires (bare copper or green to bare copper or green).

CAUTION: MAKE SURE WIRE CONNECTORS ARE TWISTED ON SECURELY, AND NO BARE WIRE IS EXPOSED.

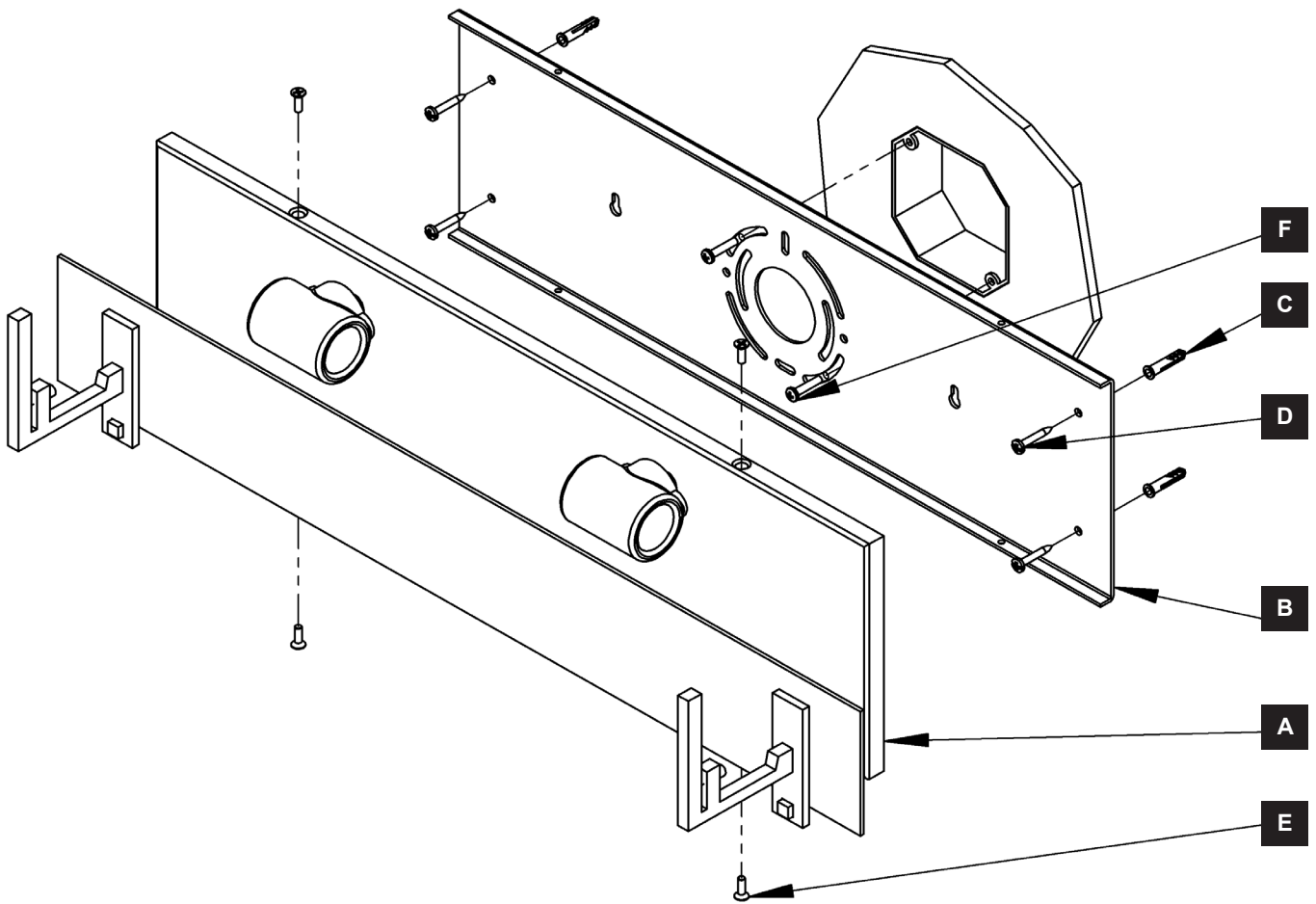
9. Place fixture (A) over mounting bracket (B). Secure with flat head screws (E) on top and bottom of fixture (A). Be sure no wires are pinched between fixture and wall.
10. See Page 5 to complete installation.



ASSEMBLY & INSTALLATION INSTRUCTIONS

B396

HF Reflections — Radiance Sconces 202150 & 202153



(Figure 1)

To Install Glass (Figure 2)

1. Install bulbs (H) into sockets (G).

2. Locate glass panel (I) and slide panel into fixture (A). Glass will rest in glass slot.

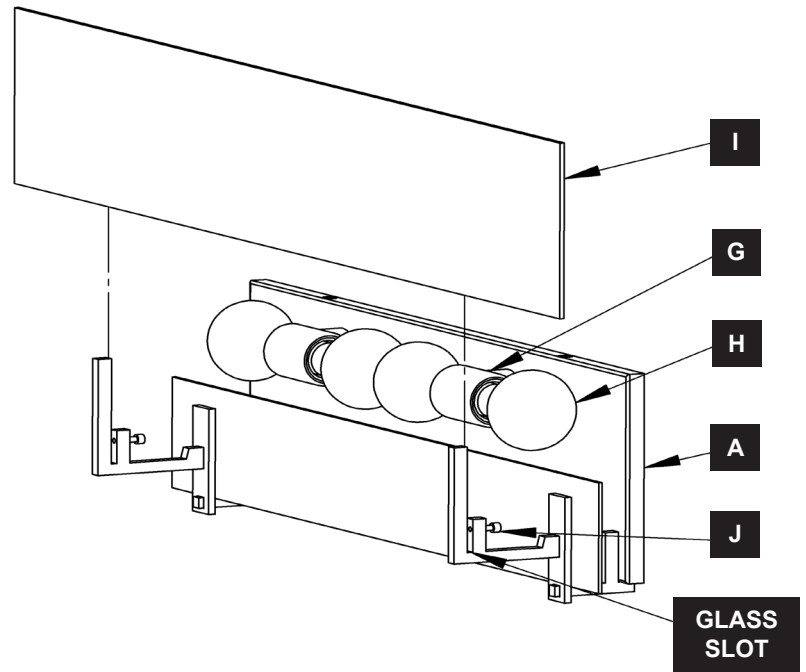
Note: *it may be necessary to loosen screws to allow glass into slot on fixture. They will not need to be removed completely.*

3. Center glass in fixture.

4. Snug screws (J) against glass to secure it in fixture.

Note: *Be careful not to overtighten screws as it could break the glass.*

5. Restore electricity at main breaker.



(Figure 2)

Care Instructions

To clean your fixture, use a soft, non-abrasive cloth with water and a mild detergent soap. Be sure to rotate the cloth so you're always using clean sections of it. For extra protection, follow cleaning with a non-abrasive paste or liquid wax. Always use a soft, non-abrasive cloth for application.

DO NOT use abrasive materials or cleaners or any products with alcohol or ammonia (most common cleaners such as Windex, Endust, etc. contain chemicals that will damage the finish).

If you need further assistance, or find that you are missing any parts, please contact the dealer from which you purchased this product. We hope you enjoy your fixture!

*** Hubbardton Forge will not be liable for injury or damage caused by improper installation, lamping or use of this fixture.**