

Installation Instructions

A440

For Equinox Semi-Flush 126720

Page 1 of 3

CAUTION: FAILURE TO INSTALL THIS FIXTURE PROPERLY MAY RESULT IN SERIOUS PERSONAL INJURY OR DEATH AND PROPERTY DAMAGE. We recommend installation by a licensed electrician.

This product must be installed in accordance with applicable installation code(s), by a person familiar with the construction and operation of the product and the hazards involved.*

Caution: Do not exceed maximum wattage noted on fixture. Use only recommended bulbs with fixture.

To Install Fixture (Figure 1)

Component Parts

- A Fixture
- B Crossbar
- C Threaded Stud (2)
- D Knurled Balls (2)
- E Ground Screw

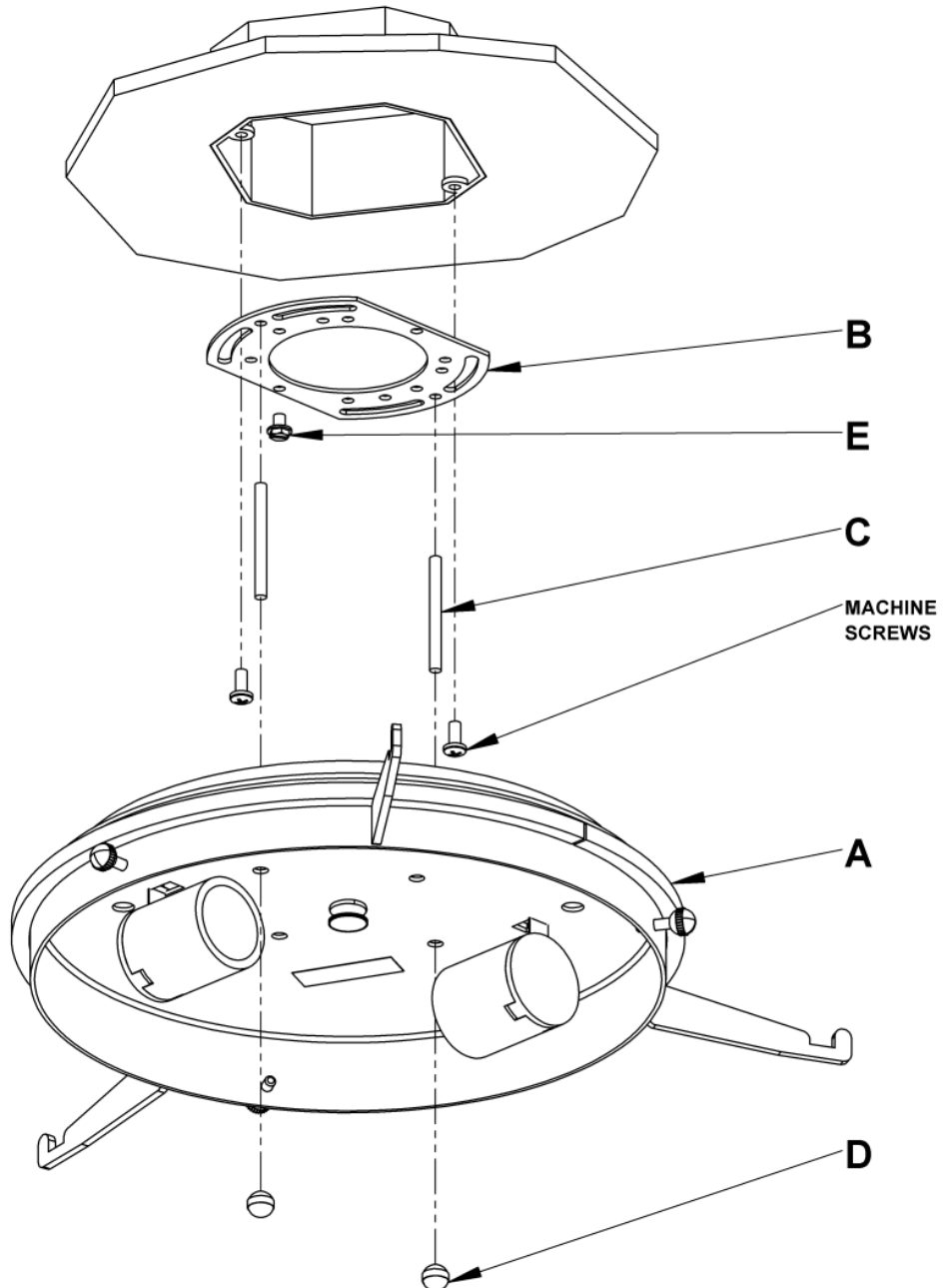
Caution: Be sure power is off at the main breaker box prior to installation

1. Carefully unpack fixture.
2. Thread studs (C) through holes in crossbar.
3. Using two machine screws (not provided) fasten cross bar (B) to the electric box using outer oval holes to orient fixture to desired hanging position.

Note: A new electric box comes with screws. When replacing an existing fixture, retain the screws for use with the new fixture.

4. Attach a pigtail lead to crossbar ground screw (E). Raise fixture (A) close to the ceiling and using suitable wire connectors (not provided); connect fixture wires to supply wires (white to white and black to black). Connect all ground wires (Bare copper or green to bare copper or green) together.

Caution: Make sure wire connectors are twisted on securely, and no bare wire is exposed.



(Figure 1)

(continued)

Installation Instructions

For Equinox Semi-Flush 126720

A440

Page 2 of 3

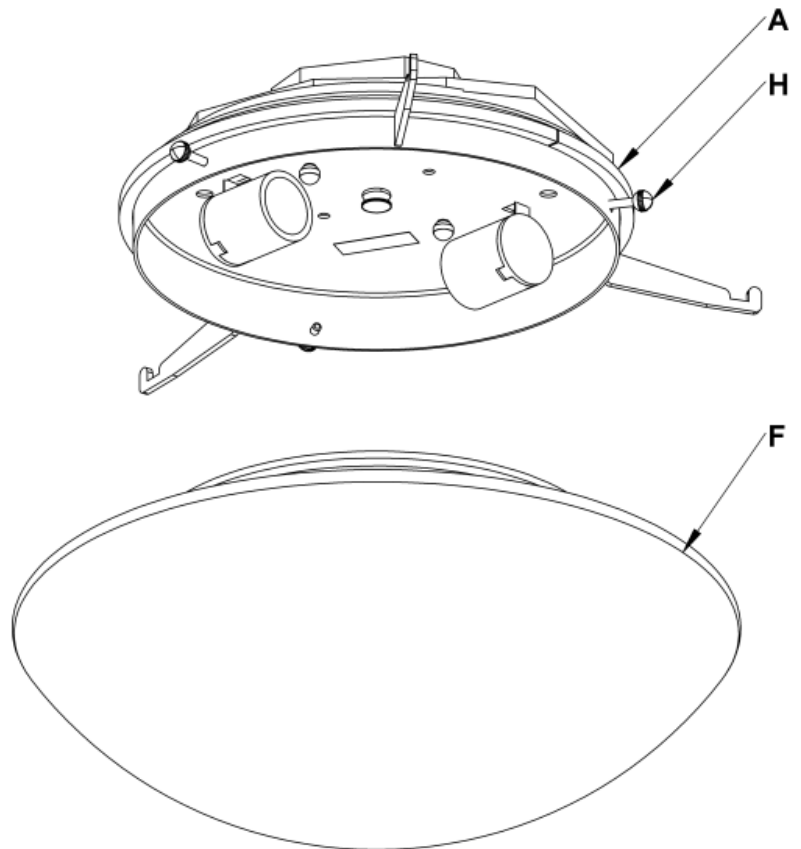
- Slide fixture (A) over threaded studs (C) and push firmly to ceiling, making sure that no wires are pinched between fixture (A) and ceiling. Fasten knurled balls (D) on to studs (C). Be sure studs (C) are fully seated in knurled balls (D)

To Install Glass (Figures 2 & 3)

Component Parts

- A Fixture
- F Glass
- G Decorative Ring
- H Ball Head Screws (3)

- Install light bulbs. (*Not Included*)
- Loosen the (3) ball head screws (H) enough to allow the glass (F) to be installed
- Raise glass (F) into fixture (A) and tighten the (3) ball head screws (H) to secure the glass (F). *Be sure not to overtighten.* (Figure 2)
- Note:** the holes in the decorative ring and the tabs on the fixture are not evenly spaced. See Figure 3.
- While holding the decorative ring (G) close to the fixture (A), align the appropriate hole in the ring (G) with the tab on the fixture (A).
- Tilt the decorative (G) ring up and over one of the tabs. Slide ring towards fixture and tilt up and over the remaining tabs. Set ring down on tabs, engaging tabs into holes in decorative ring (G).
- Restore electricity at main breaker.



(Figure 2)

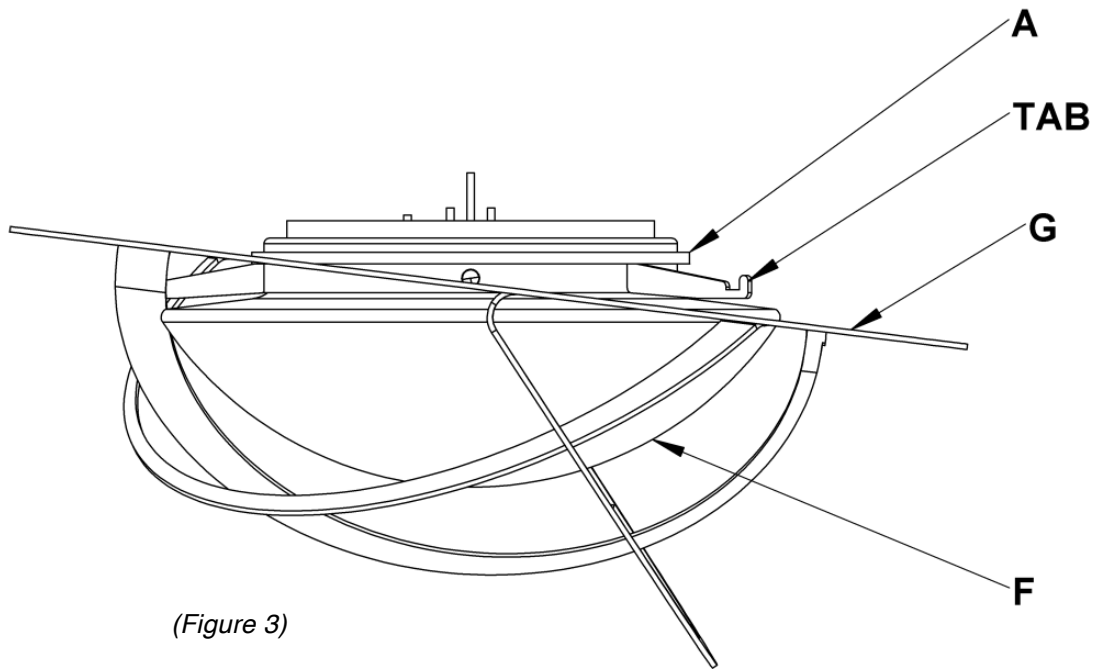
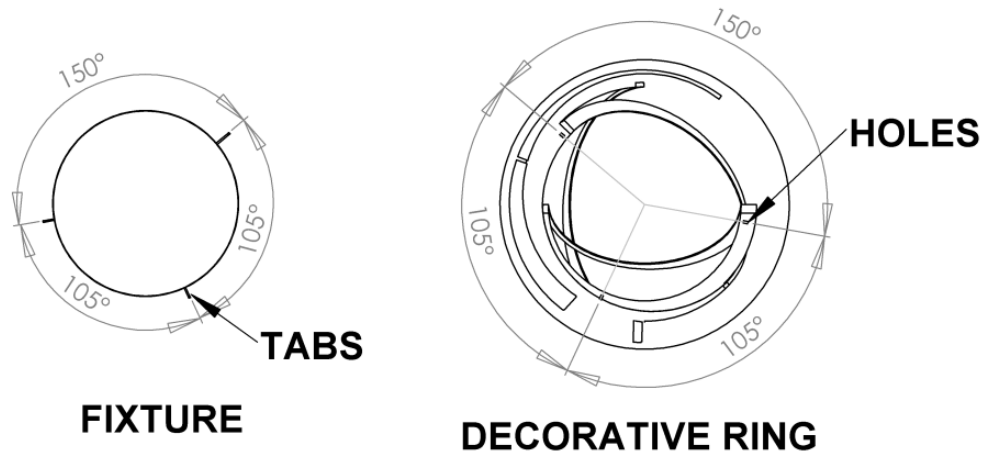
(continued)

Installation Instructions

For Equinox Semi-Flush 126720

A440

Page 3 of 3



If you need further assistance, or find that you are missing any parts, please contact the dealer from which you purchased this product. We hope you enjoy your fixture!

* Hubbardton Forge will not be liable for injury or damage caused by improper installation, lamping or use of this fixture.