

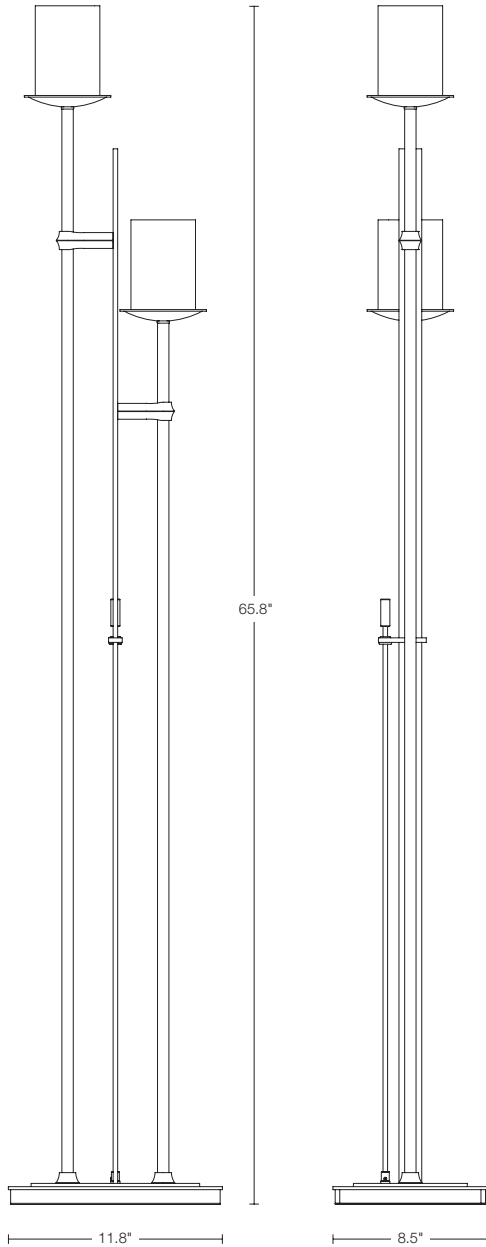


23-4903
ROCK FLOOR LAMP

23-4903

ROCK

Floor lamp with glass option, two-light.



Dimensions

Height	65.8"
Length	11.8"
Width	8.5"

Incandescent Lamping

Socket: (2) medium
Bulb: A-19, 100 watt

Glass

188 - Tube 3.54" OD x 5.24"

Glass Color Options

G - Opal
H - Stone
ZW - Soft Amber
ZX - Pearl

Hospital Grade Cord

Available special order

UL/CUL Listing

Portable Luminaire

Updated 4.11

HUBBARDTON FORGE®

HUBBARDTONFORGE.COM

FOR MORE INFORMATION CONTACT OUR CONTRACT DEPARTMENT
AT 800-826-4766 OR CONTRACT@VTFORGE.COM.

154 RT. 30 SOUTH · CASTLETON, VERMONT 05735 · T 800-826-4766 · F 877-910-3700

All designs and images © 1989-2011 Hubbardton Forge®. All rights reserved.