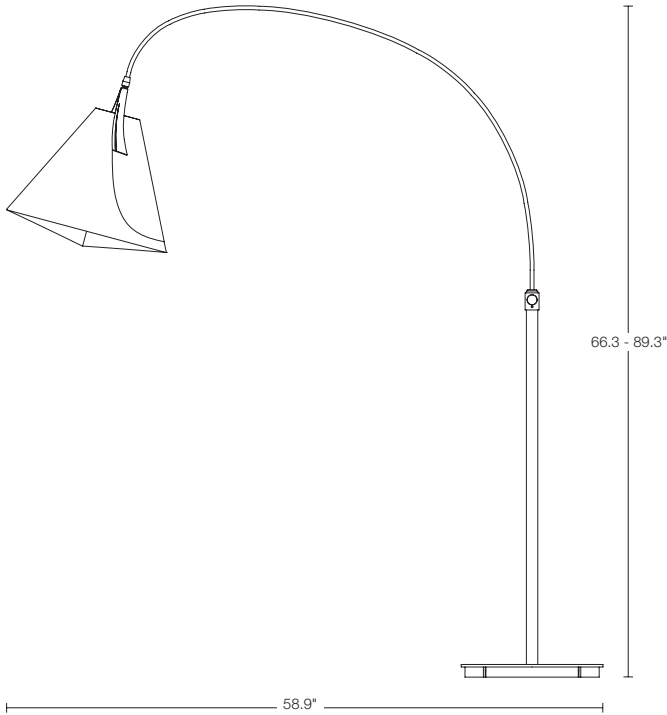




23-4505  
MOBIUS ARC FLOOR LAMP

**23-4505**  
**MOBIUS ARC**

*Floor lamp with shade options. Patent Pending*



**Dimensions**

Height 66.3 - 89.3" adjustable range  
Length 58.9"  
Width 16.1"

**Incandescent Lamping**

Socket: medium  
Bulb: A-19, 100 watt max

**Shade**

**451992**

**Shade Color Options**

**66** - Spun Frost  
**68** - Spun Amber

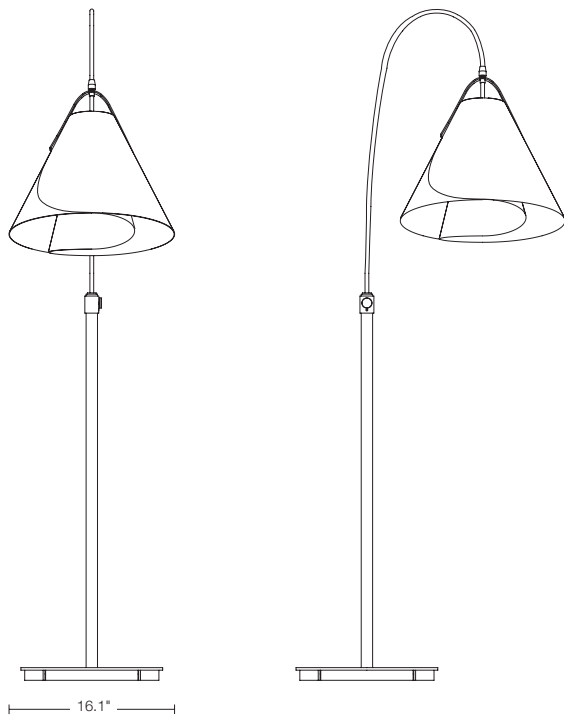
**Hospital Grade Cord**

Not available

**UL/CUL Listing**

Portable Luminaire

Updated 4.11



**HUBBARDTON FORGE®**

HUBBARDTONFORGE.COM

**FOR MORE INFORMATION CONTACT OUR CONTRACT DEPARTMENT**  
**AT 800-826-4766 OR CONTRACT@VTFORGE.COM.**

154 RT. 30 SOUTH · CASTLETON, VERMONT 05735 · T 800-826-4766 · F 877-910-3700

*All designs and images © 1989-2011 Hubbardton Forge®. All rights reserved.*