

Assembly Instructions

For Metra Floor Lamp 24-8413, 24-8413C, 24-8416 & 24-8416C

C37

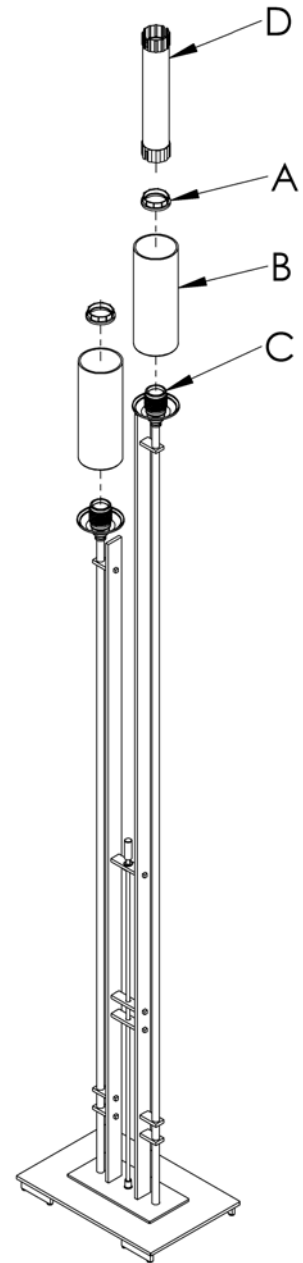
Page 1 of 1

To Install Glass

Component Parts

- A Retaining Ring (2)
- B Glass (2)
- C Lamp Socket (2)
- D Socket Tool

1. Remove retaining rings (A) from lamp socket (C). Save for later use.
Retaining rings are shipped installed on lamp sockets.
2. Place glass (B) over lamp socket (C).
3. Thread the second retaining ring (A) and tighten using socket tool provided (D) until it reaches the bottom of the glass (B). *Be careful not to over tighten.*
4. Install light bulbs. "C" version bulbs are included.



If you need further assistance, or find that you are missing any parts, please contact the dealer from which you purchased this product. We hope you enjoy your fixture!