

Shade Installation Instructions

C50

Cavaletti Floor Lamps 237670, 237670C

Page 1 of 1

To Install Harp & Shade (Figures 1 & 2)

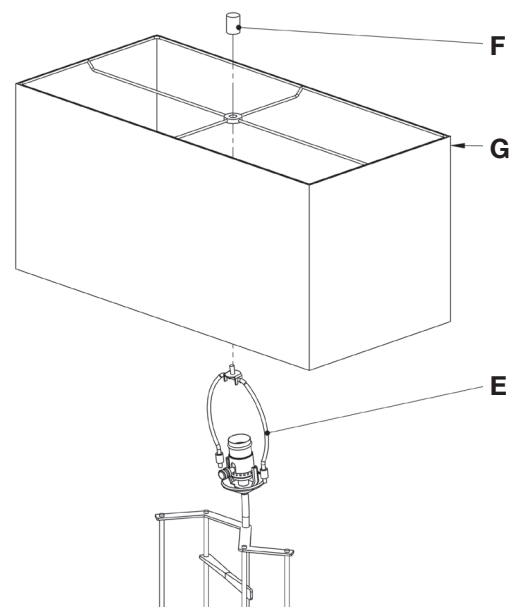
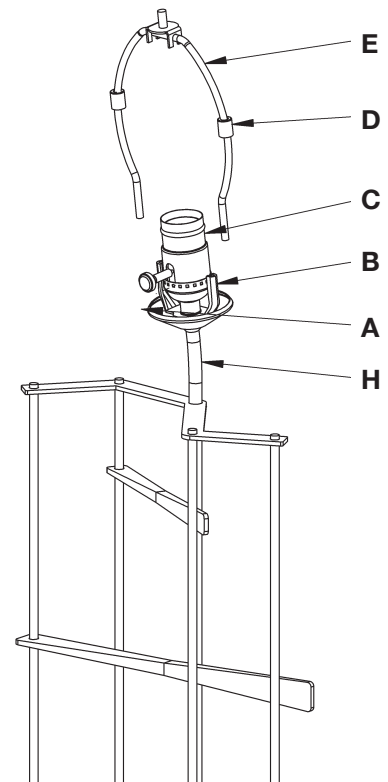
Component Parts

- A Turn Knob
- B Harp Holder
- C Socket
- D Locks (2)
- E Harp
- F Finial
- G Shade
- H Wireway

1. Carefully unpack the lamp from the carton.

Note: Wireway tube is purposely bent to allow socket to be located in the center of the shade. The product is not damaged or defective.

2. Install turn knob (A) onto socket (C) (Figure 1).
3. Remove finial (F) from harp (E) and save for later use. Finial is shipped installed on harp.
4. Squeeze harp (E) together while holding the locks (D) up towards the top of the harp (E) and slip into harp holder (B).
5. Allow locks (D) to slip down harp (E) and onto harp holder (B) to secure harp in place.
6. Install bulb. Bulb is included with the "C" version.
7. Slip shade (G) onto threaded stud on top of harp (E).
8. Thread finial (F) onto threaded stud on harp (E) and tighten until snug. Be careful not to over tighten.



If you need further assistance, or find that you are missing any parts, please contact the dealer from which you purchased this product. We hope you enjoy your fixture!

* Hubbardton Forge will not be liable for injury or damage caused by improper installation, lamping or use of this fixture.