

# Shade Installation Instructions

For Rook Table & Floor Lamp 23-4901, 23-4901C, 26-4901 & 26-4901C,

## To Install Glass (Figure 1)

### Component Parts

- A Socket
- B Glass
- C Retaining Ring (2)
- D Retaining Ring Tool

1. Carefully unpack the lamp from the carton.
2. Remove retaining rings (C) from socket (A). *Retaining Rings are shipped installed.*
3. Place glass (B) over socket (A).
4. Using provided retaining ring tool (D) thread the first retaining ring (C) onto socket (A) until it reaches the bottom of the glass (B).
5. Using provided retaining ring tool (D) thread the second retaining ring (C) and tighten until it is snug against the first retaining ring.
6. Install bulb. "C" version bulb is included.

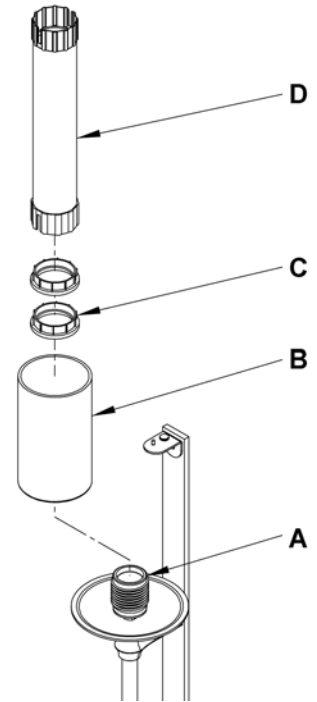


Figure 1

## To Install Diffuser & Shade (Figure 2)

### Component Parts

- E Finial
- F Washer
- G Diffuser
- H Shade
- I Thumb Screw
- J Diffuser Bracket
- K Fixture Bracket
- L Threaded Stud

1. Remove thumb screw (I) from fixture bracket (K). *Save for later use.*
2. Attach diffuser bracket (J) to fixture bracket (K) using thumb screw (I). Align diffuser bracket (J) to be centered on the fixture and tighten thumb screw (I).
3. Slip shade (H), diffuser (G) and washer (F) onto threaded stud (L).
4. Thread finial (E) onto threaded stud (L) and tighten until snug. *Be careful not to over tighten.*

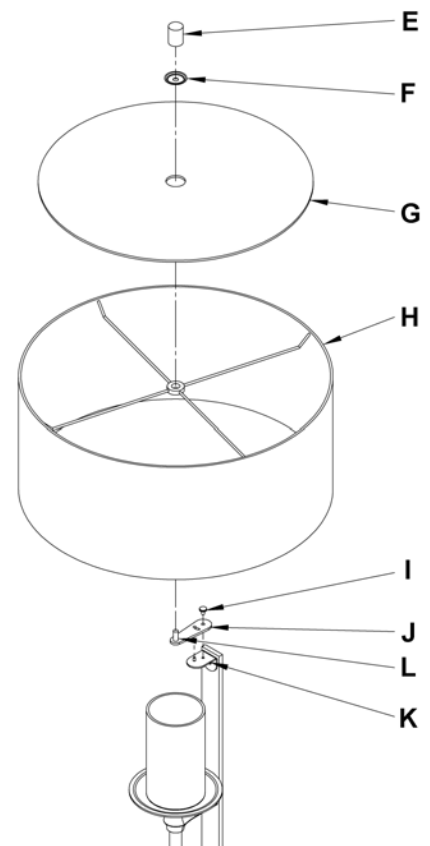


Figure 2

# Shade Installation Instructions

For Rook Table & Floor Lamp 23-4901, 23-4901C, 26-4901 & 26-4901C,



Page 2 of 2

## **To Replace Bulb** (Figure 3)

### Component Parts

- E Finial
- F Washer
- G Diffuser
- H Shade
- I Thumb Screw
- J Diffuser Bracket

1. Remove finial (E) followed by washer (F) and diffuser (G).
2. Loosen thumb screw (I).
3. Slide diffuser bracket (J) to access the bulb (Figure 4).
4. Replace bulb.
5. Slide diffuser bracket (J) back to original location and tighten thumb screw (I).
6. Reinstall diffuser (G), washer (F) and finial (E).

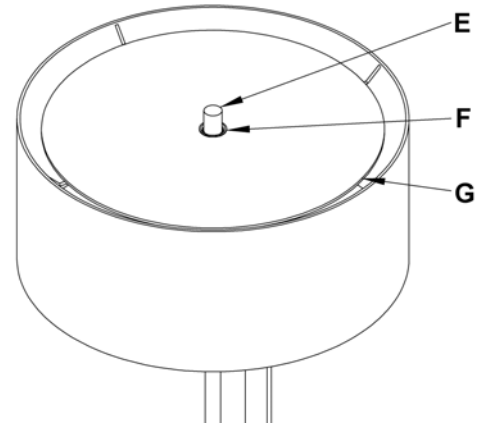


Figure 3

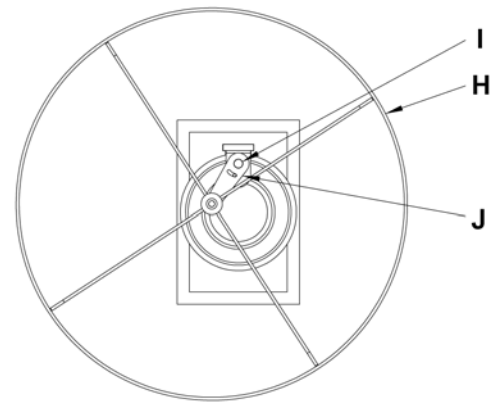
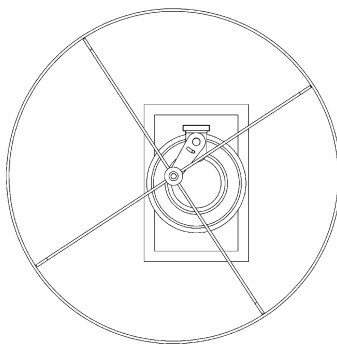
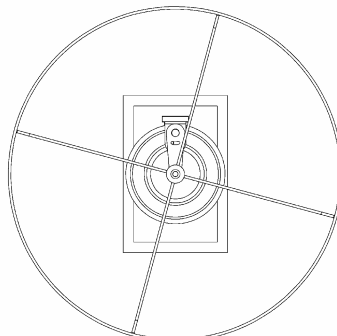


Figure 4



Position of diffuser plate to replace bulb.



Position of diffuser plate after bulb replacement

Figure 5

*If you need further assistance, or find that you are missing any parts, please contact the dealer from which you purchased this product. We hope you enjoy your fixture!*

\* Hubbardton Forge will not be liable for injury or damage caused by improper installation, lamping or use of this fixture.