

Shade Installation Instructions

C51

Reach Floor Lamp 232860

To Install Shade (Figure 1)

Component Parts

- A Fixture
- B Shade
- C Socket Ring

1. Carefully unpack the fixture (A) from the carton.
2. Install shade (B) by sliding shade over socket.
3. Thread socket ring (C) on to socket and tighten against shade. *Be careful not to over tighten.*

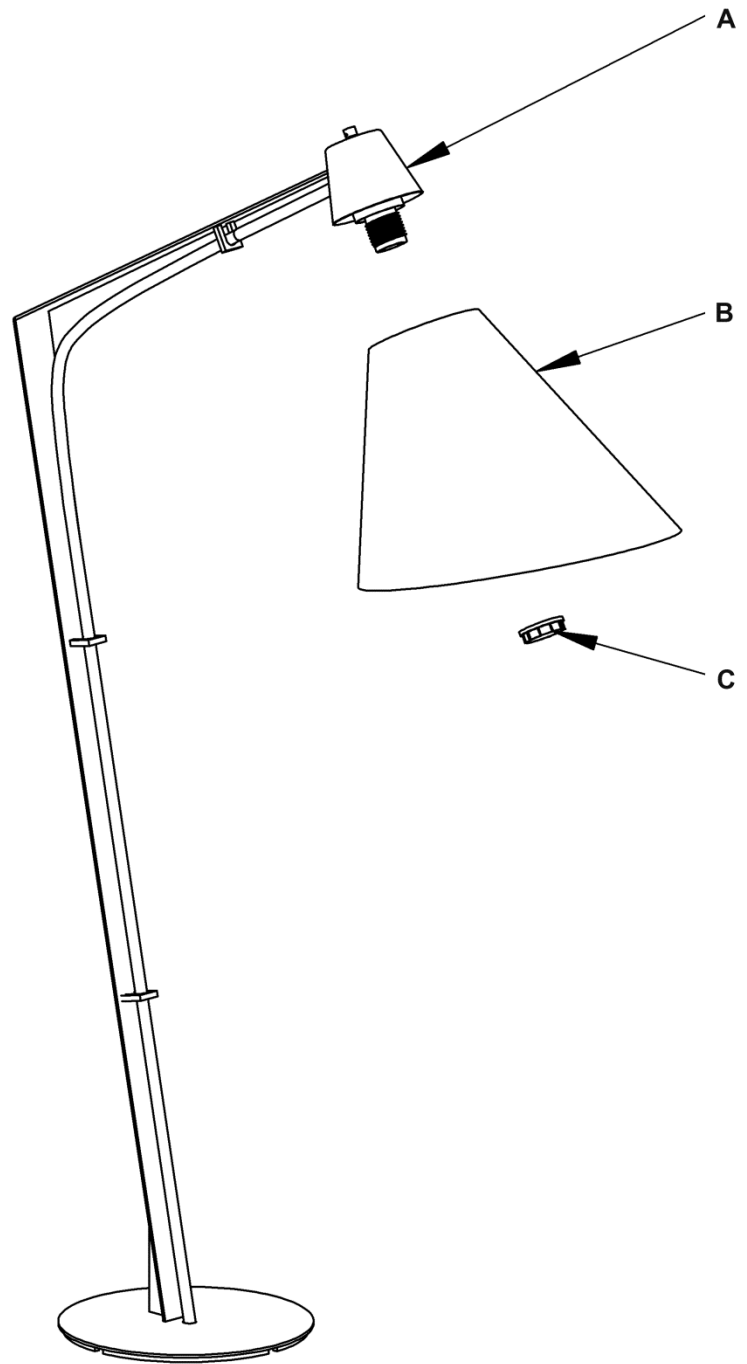


Figure 1

If you need further assistance, or find that you are missing any parts, please contact the dealer from which you purchased this product. We hope you enjoy your fixture!

* Hubbardton Forge will not be liable for injury or damage caused by improper installation, lamping or use of this fixture.