

Assembly Instructions

C24

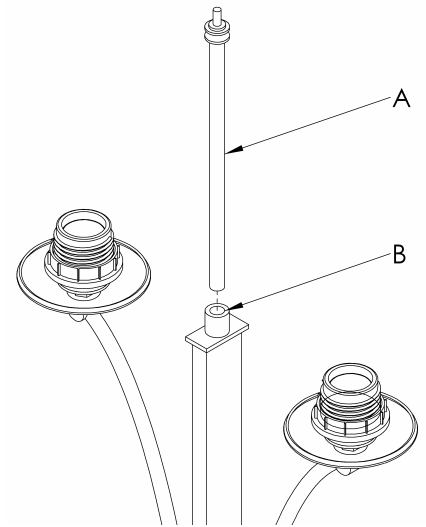
For Formae Floor Lamp 23-2720

To Assemble (Figure 1)

Component Parts

- A Shade Pipe
- B Coupling

1. Apply a drop of the supplied thread locking compound to the internal threads of coupling (B) and screw shade pipe into fixture.
Note: Application of the thread locking compound is necessary to prevent the pipe from loosening during regular maintenance and cleaning of the fixture. Be certain to apply the compound.
2. See following to complete the installation.



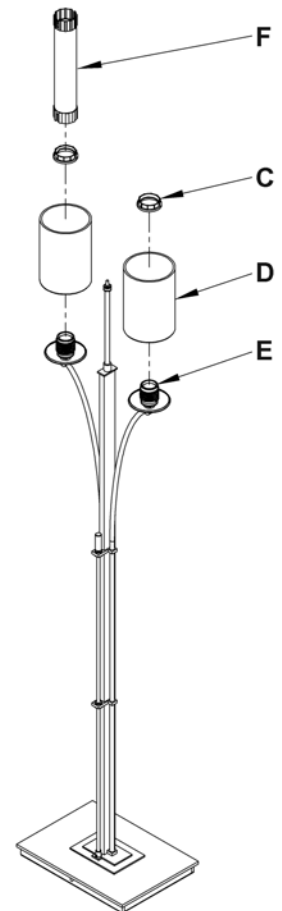
(Figure 1)

To Install Glass (Figure 2)

Component Parts

- C Retaining Ring
- D Glass
- E Lamp Socket
- F Socket Tool

1. Place glass (D) over lamp socket (E).
2. Thread retaining ring (C) on to socket using socket tool provided (F) until it reaches the bottom of the glass (D).



(Figure 2)

(continued)

Assembly Instructions

For Formae Floor Lamp 23-2720

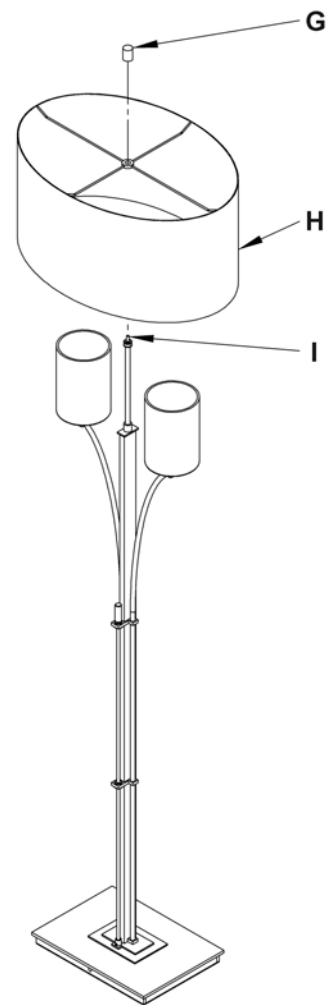
C24

To Attach Shade (Figure 3)

Component Parts

- G Finial
- H Shade
- I Threaded Stud

1. Install light bulbs.
2. Install shade (H) on to threaded stud (I).
3. Thread finial (G) on to threaded stud (I) until tight against shade (H).



(Figure 3)

If you need further assistance, or find that you are missing any parts, please contact the dealer from which you purchased this product. We hope you enjoy your fixture!