

COMPONENT PARTS

- A** **Canopy**
- B** **Cap**
- C** **Canopy Cover Plate**
- D** **#8 Screws (2)**
- E** **Gripper Plate**
- F** **Lag Screws (4)**
- G** **Fixture**
- H** **Gripper**
- I** **Supply/Support Cables (4)**
- J** **Safety cable**
- K** **Nut**
- L** **Crystal Accent (8)**

CAUTION: FAILURE TO INSTALL THIS FIXTURE PROPERLY MAY RESULT IN SERIOUS PERSONAL INJURY OR DEATH AND PROPERTY DAMAGE. We recommend installation by a licensed electrician. This product must be installed in accordance with applicable installation code(s), by a person familiar with the construction and operation of the product and the hazards involved.*

CAUTION: Do not exceed maximum wattage noted on fixture. Use only recommended bulbs with fixture.

Please Note: After installation extra hardware and accessories are possible; our kits are used on multiple products.

TO INSTALL FIXTURE (Figures 1 & 2)

CAUTION: BE SURE POWER IS OFF AT THE MAIN BREAKER BOX PRIOR TO INSTALLATION.

1. Carefully unpack fixture (G) from the carton.
2. Locate canopy assembly. Uncoil supply/support cables (I).
3. Remove cap (B) and canopy cover plate (C) from canopy assembly. Set aside for use later.
4. Unscrew two #8 screws (D) that attach the gripper plate (E) to the the canopy assembly. Remove gripper plate and set aside.
5. Thread supply wires (E) through hole in canopy (A). Raise canopy to electric box and secure with two machine screws (not provided).

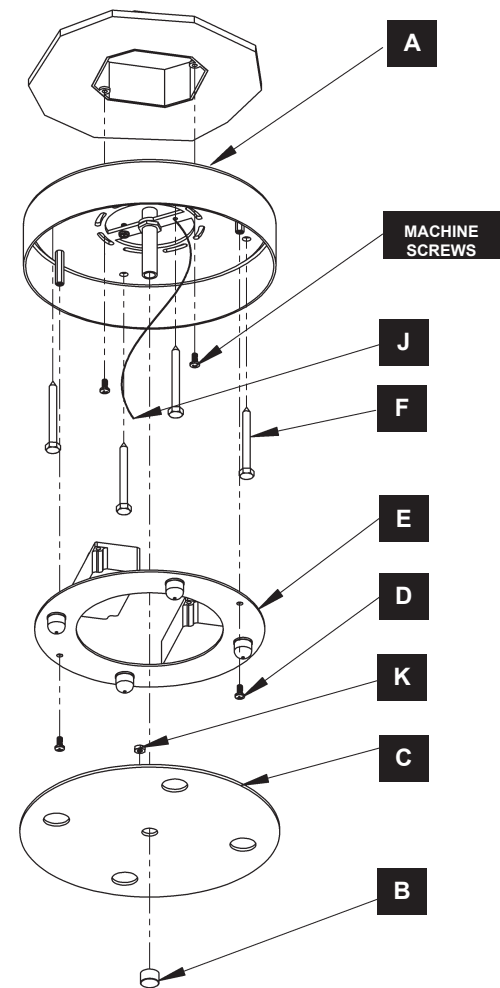
Note: A new electric box comes with screws. When replacing a fixture, retain the existing screws for use with the new fixture.

6. Using the four lag screws (F) attach canopy (A) to a structural member in the ceiling. We've supplied lag screws with your fixture, however, different materials and/or construction methods may require different fasteners. If in doubt, contact a qualified electrician.
7. While holding gripper plate (E) close to canopy (A), use suitable wire connectors (not provided) to connect driver wires to supply wires (white to white and black to black). Connect all ground wires (bare copper or green to bare copper or green) together.

CAUTION: MAKE SURE WIRE CONNECTORS ARE TWISTED ON SECURELY AND NO BARE WIRES ARE EXPOSED.

CAUTION: BE SURE NO WIRES ARE PINCHED BETWEEN THE CANOPY (E) AND THE CEILING.

8. Feed safety cable (J) through the center hole in gripper plate (E). Reattach gripper plate to canopy (A) using two #8 screws (D).
9. Remove nut (K) from stud on canopy cover plate (C). Slide end of the safety cable (J) over the stud and reattach nut. The safety cable (J) also acts as the ground for the canopy cover plate.
10. Feed the supply/support cables (I) through appropriate holes in canopy cover plate (C), making sure that the (+) cables go through the (+) holes and the (-) cables go through the (-) holes.



(Figure 1)

CONTINUED

TO INSTALL FIXTURE *continued* (Figures 1 & 2)

11. Reinstall canopy cover plate (C) and secure in place with cap (B).
12. Align (+) and (-) labels on the fixture (G) with the (+) and (-) labels on canopy cover plate (C)
13. Insert supply/support cable (I) through gripper (H) on fixture (G) until cable sticks through slot in the side of gripper.
14. Repeat step 13 for the remaining supply/support cables (I).
15. Raise fixture (G) to a comfortable height for installing accent crystals (L).

Follow instructions on next page to install crystals.

TO INSTALL CRYSTALS (Figure 2)

1. Locate crystal accent pieces and white gloves. Place 2 accents (L) in each quadrant. Repeat for other 3 quadrants.

Note: Using white gloves while handling the crystals will prevent smudges.

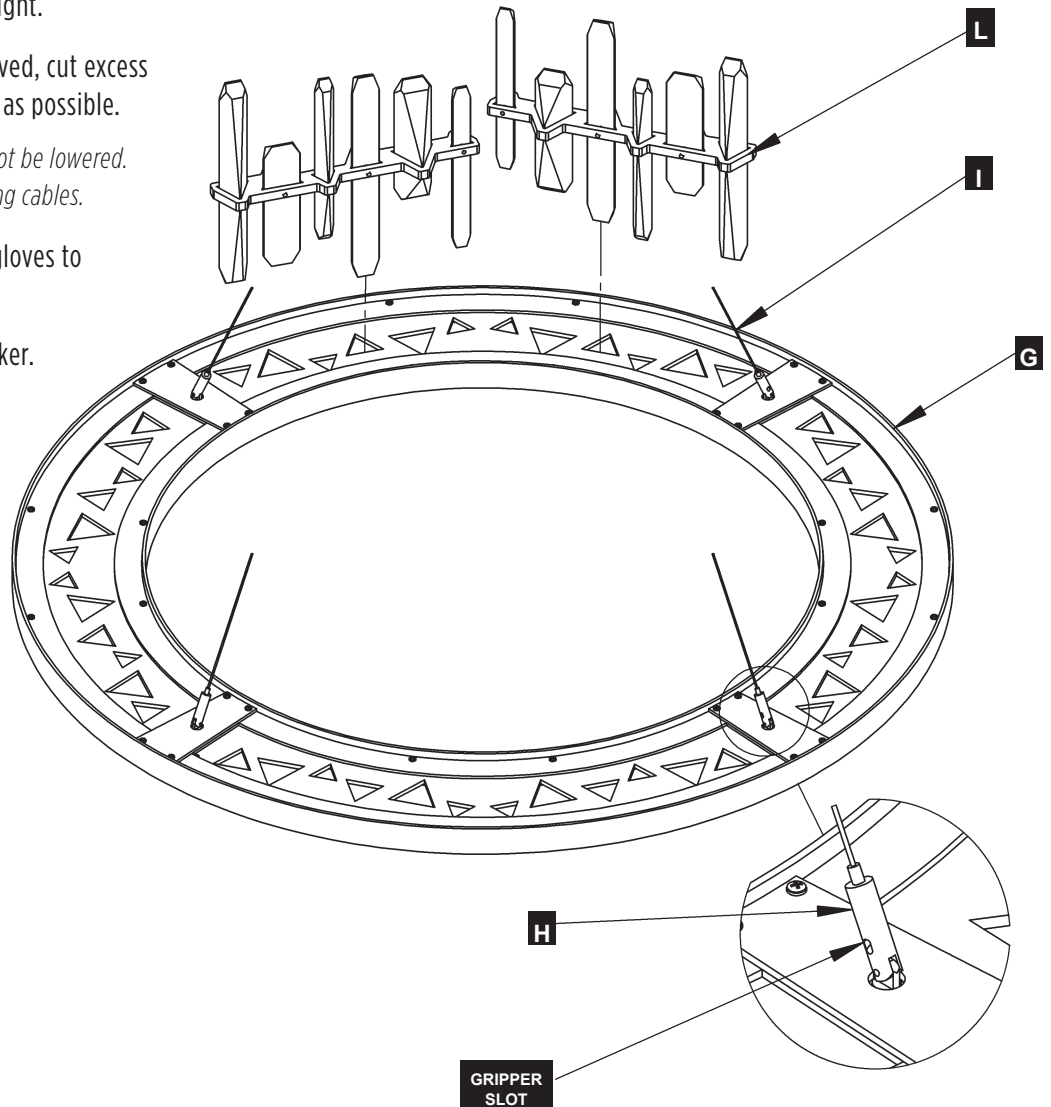
2. Raise fixture to desired hanging height.

3. Once desired fixture height is achieved, cut excess cable (I) as close to the gripper (H) as possible.

Note: Once cables are cut, fixture cannot be lowered. Be sure of hanging height before cutting cables.

4. If needed, use the provided white gloves to polish the crystals.

5. Restore electricity at the main breaker.



(Figure 2)

If you need further assistance, or find that you are missing any parts, please contact the dealer from which you purchased this product. We hope you enjoy your fixture!

*** Synchronicity / Hubbardton Forge will not be liable for injury or damage caused by improper installation, lamping or use of this fixture.**