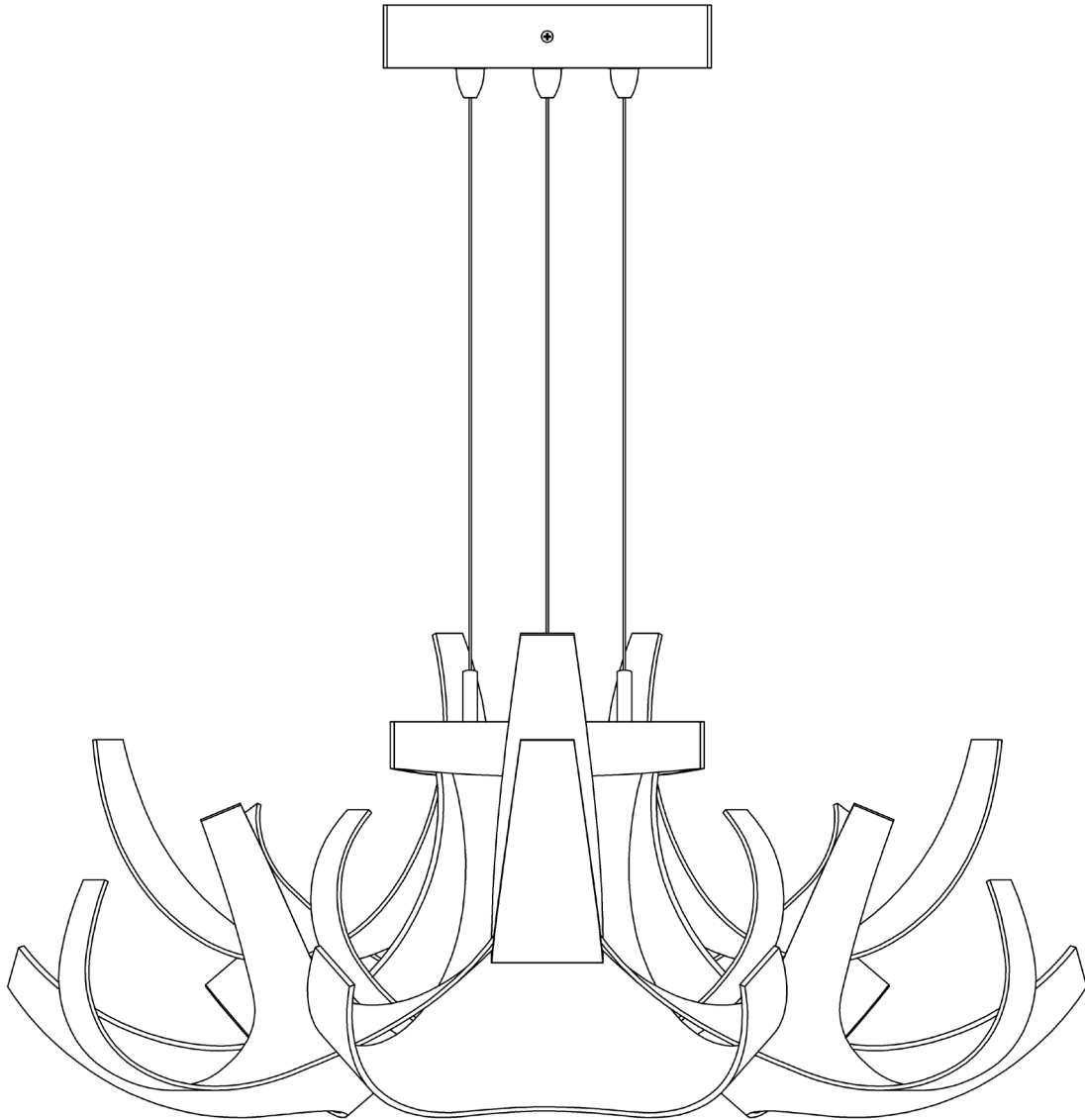


ASSEMBLY & INSTALLATION INSTRUCTIONS

139881 Regalia Pendant

A551



HUBBARDTON FORGE.

MODERN AMERICAN BLACKSMITHS | FINE, HAND CRAFTED LIGHTING
CASTLETON, VERMONT USA | HUBBARDTONFORGE.COM

Component Parts

- A Crossbar**
- B Canopy**
- C #8 Screws (3)**
- D Cupped Washer**
- E Ground Screw**
- F Supply/Support Cables (3)**
- G Grippers (3)**
- H Fixture**
- I Gripper Covers (3)**



139881 Regalia Pendant

CAUTION: FAILURE TO INSTALL THIS FIXTURE PROPERLY MAY RESULT IN SERIOUS PERSONAL INJURY OR DEATH AND PROPERTY DAMAGE. We recommend installation by a licensed electrician. This product must be installed in accordance with applicable installation code(s), by a person familiar with the construction and operation of the product and the hazards involved.*

Caution: Do not exceed maximum wattage noted on fixture. Use only recommended bulbs with fixture.

Please Note: After installation extra hardware and accessories are possible due to our kits are used on multiple products and options.

To Install Canopy (Figure 1)

CAUTION: BE SURE POWER IS OFF AT THE MAIN BREAKER BOX PRIOR TO INSTALLATION.

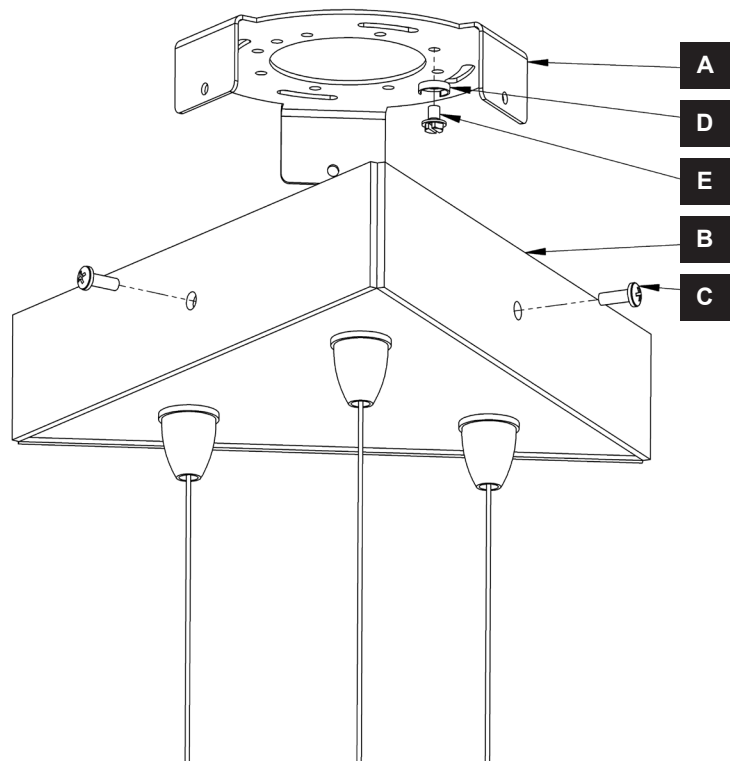
1. Carefully unpack the fixture from the carton.
2. Remove the crossbar (A) from canopy (B) by removing all three #8 screws (C). Set the canopy and #8 screws aside for later use.
3. Using two machine screws (not provided), fasten the crossbar (A) to the electric box.

Note: A new electric box comes with screws. When replacing a fixture, retain the existing screws for use with the new fixture.

4. Attach a ground wire to crossbar (A) using the cupped washer (D) and ground screw (E).
5. Hold canopy (B) close to the ceiling and using suitable wire connectors (not provided) connect fixture wires to supply (white to white and black to black). Connect all ground wires (bare copper or green to bare copper or green).

CAUTION: MAKE SURE WIRE CONNECTORS ARE TWISTED ON SECURELY, AND NO BARE WIRE IS EXPOSED.

6. Push canopy (B) against the ceiling being sure not to pinch any wires between the ceiling and canopy. Secure canopy to crossbar (A) using all three #8 screws (C).
7. Follow instructions on the following page to finish installation.



(Figure 1)

CONTINUED

139881 Regalia Pendant

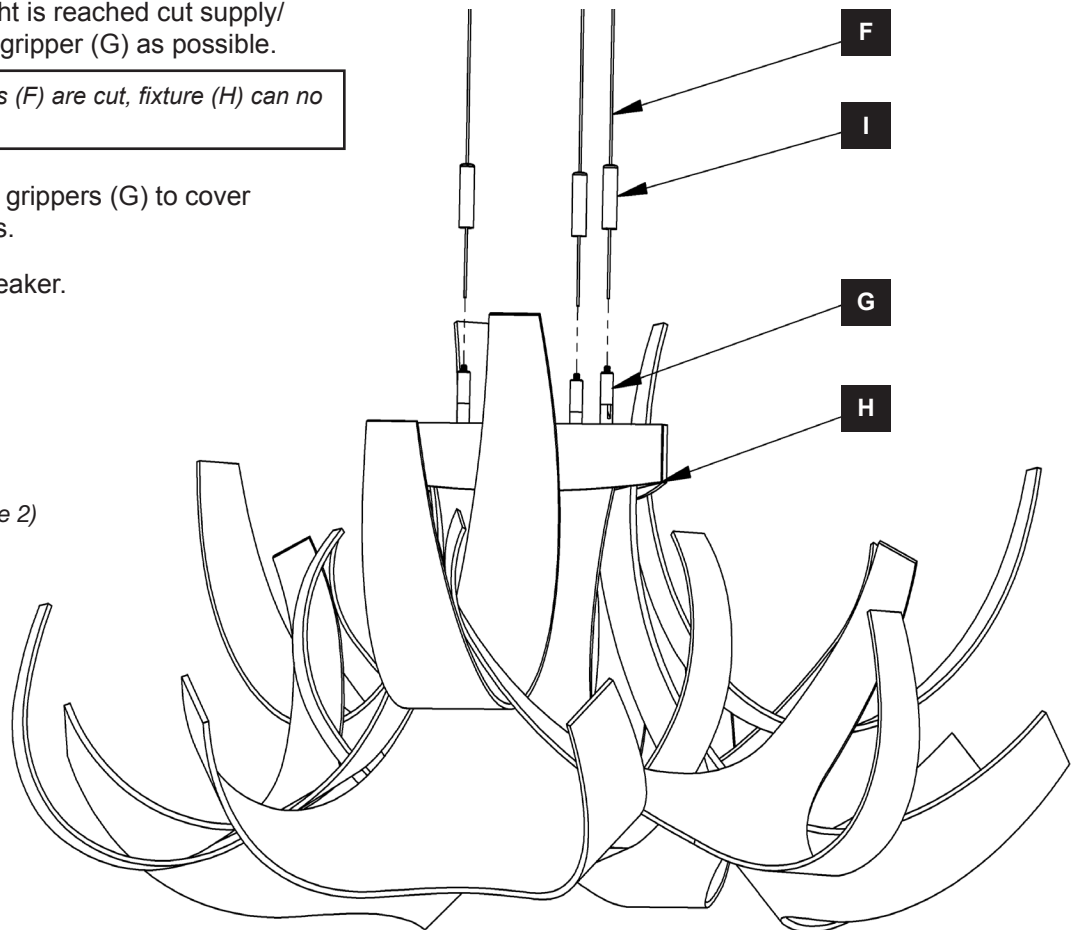
To Hang Fixture (Figure 2)

7. Locate the (+) and (-) supply/support cables (F) hanging from canopy (B) and align them with the (+) and (-) grippers (G) on fixture (H).
8. Unscrew gripper cover (I) from gripper (G) and slide onto supply/support cable (F) small end first.
9. Push (+) supply/support cable (F) into (+) gripper (G) and (-) supply/support cable (F) into (-) gripper (G) until desired height for fixture (H) is reached.
10. Repeat this for the remaining supply/support cable (F) and gripper (G).
11. Once desired fixture (H) height is reached cut supply/ support cable (F) as close to gripper (G) as possible.

Note: Once supply/support cables (F) are cut, fixture (H) can no longer be lowered.

12. Screw gripper covers (I) onto grippers (G) to cover supply/support cable (F) ends.
13. Restore electricity at main breaker.

(Figure 2)



If you need further assistance, or find that you are missing any parts, please contact the dealer from which you purchased this product. We hope you enjoy your fixture!

*** Hubbardton Forge will not be liable for injury or damage caused by improper installation, lamping or use of this fixture.**