

Assembly & Installation Instructions

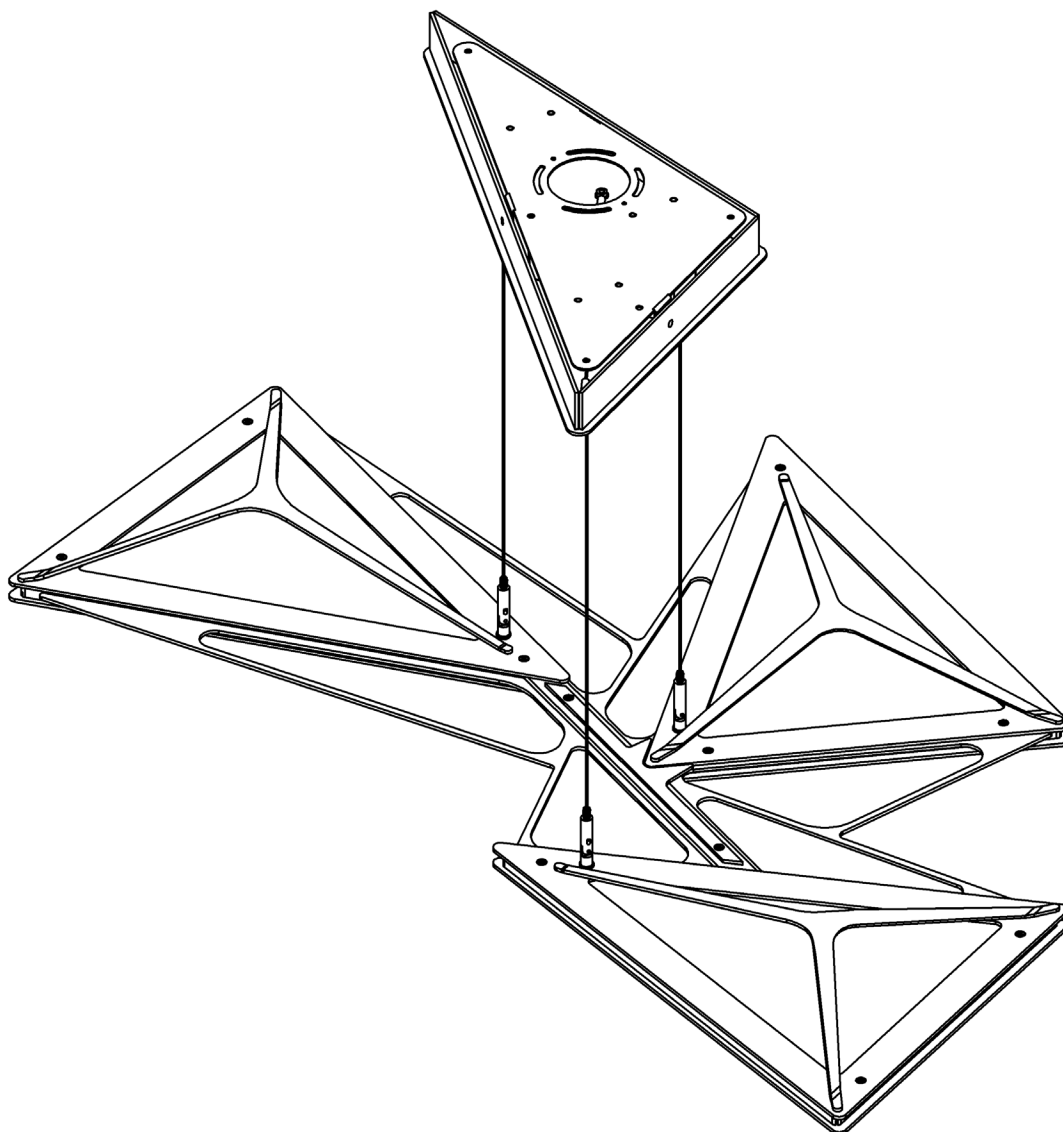
A457

Vitrage LED Pendant 139830D

Page 1 of 4

CAUTION: FAILURE TO INSTALL THIS FIXTURE PROPERLY MAY RESULT IN SERIOUS PERSONAL INJURY OR DEATH AND PROPERTY DAMAGE. We recommend installation by a licensed electrician. This product must be installed in accordance with applicable installation code(s), by a person familiar with the construction and operation of the product and the hazards involved.*Caution: Do not exceed maximum wattage noted on fixture. Use only recommended bulbs with fixture.

Please Note: After installation extra hardware and accessories are possible due to our kits are used on multiple products and options.



Component Parts

A	Mounting Bracket
B	Canopy
C	Ground Screw
D	Cupped Washer
E	Anchors (4)
F	#10 Screws (4)
G	#8 Screws (4)
H	Safety Cable
I	Support/Supply Cable (3)
J	Fixture Assembly
K	Gripper (3)
L	Gripper Lock (3)

Assembly & Installation Instructions

A457

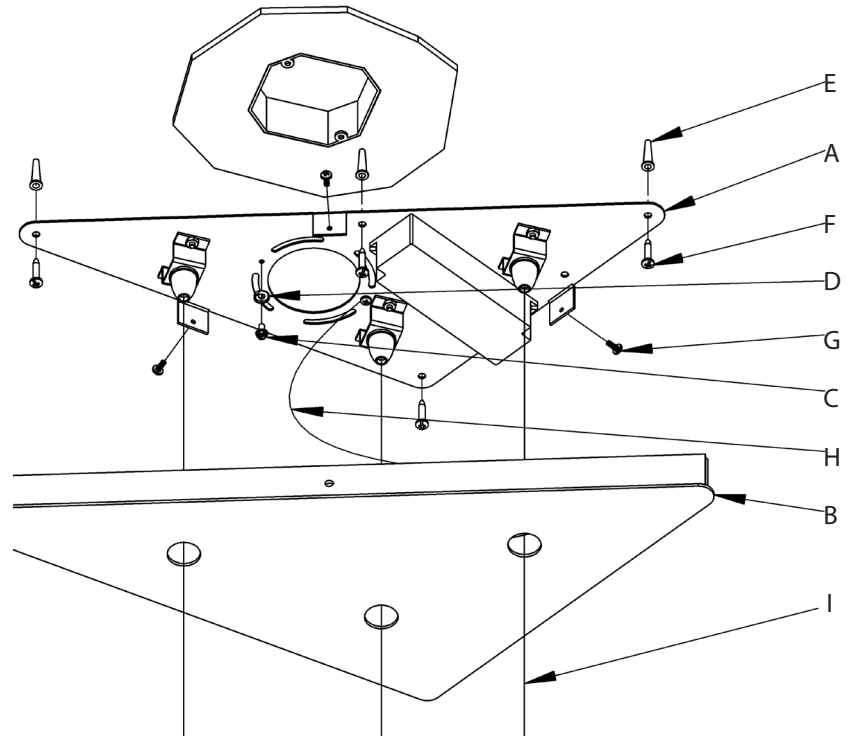
Vitrage LED Pendant 139830D

Page 3 of 4

To Install Canopy (Figure 1)

CAUTION: BE SURE POWER IS OFF AT THE MAIN BREAK-ER BOX PRIOR TO INSTALLATION.

1. Carefully unpack the fixture from the carton.
2. Mounting bracket (A) is shipped attached to canopy (B). Remove (3) screws (G) from mounting bracket (A) and retain for later use.
3. Center the mounting bracket (A) over the electrical box. Be sure to line up oval slots in bracket with mounting holes in electrical box. With a pencil, mark the location of all mounting holes in the mounting bracket (A) on the ceiling.
4. Put the bracket down and drill 1/4" holes in the locations marked on the ceiling. Place the tapered end of the anchors (E) into the holes and gently tap them flush to the ceiling using a light weight hammer
5. Thread the wires from the electrical box through the center hole in the mounting bracket (A) while moving the bracket into position. Using the #10 screws (F), screw the bracket (A) securely to the ceiling. Be careful not to over-tighten or strip the anchors (E).
6. Using two machine screws (not provided), fasten the mounting bracket (A) to the electric box using outer oval slots. Holding canopy (B) close to ceiling, use one of the #8 screws (G) from mounting kit to attach the safety cable (H) to mounting bracket (A). This is used to temporarily suspend canopy (B) while making wiring connections.
7. Using suitable wire connectors (not provided) connect fixture wires to supply (white to white and black to black). Run a pigtail lead from the ground screw (C) and cupped washer (D), found in mounting kit, to the electrical box. Connect all ground wires (bare copper or green to bare copper or green).
8. Slip support/supply cables (I) through appropriate holes in canopy (B).
9. Press canopy (B) to ceiling being sure not to pinch any wires between the canopy (B) and the ceiling.
10. Secure canopy (B) using (3) #8 black screws (G).



Note: A new electric box comes with screws. When replacing a fixture, retain the existing screws for use with the new fixture.

CAUTION: MAKE SURE WIRE CONNECTORS ARE TWISTED ON SECURELY, AND NO BARE WIRE IS EXPOSED

Assembly & Installation Instructions

A457

Vitrage LED Pendant 139830D

Page 4 of 4

To Install Fixture (Figure 2)

1. Locate gripper (K) with a (+) label.
2. Remove gripper lock (L) from gripper (K).
3. Slide gripper lock (L) onto support/supply cable (I) marked with a (+) label.
4. Insert support/supply cable (I) through gripper (K) until cable (I) sticks through slot in side of gripper (K).
5. Repeat steps 2-4 for gripper (K) and cable (I) marked with (-) labels.
6. Repeat steps for remaining gripper (K) and cable (I).
7. Continue pulling cables (I) through grippers (K) until desired height is achieved.

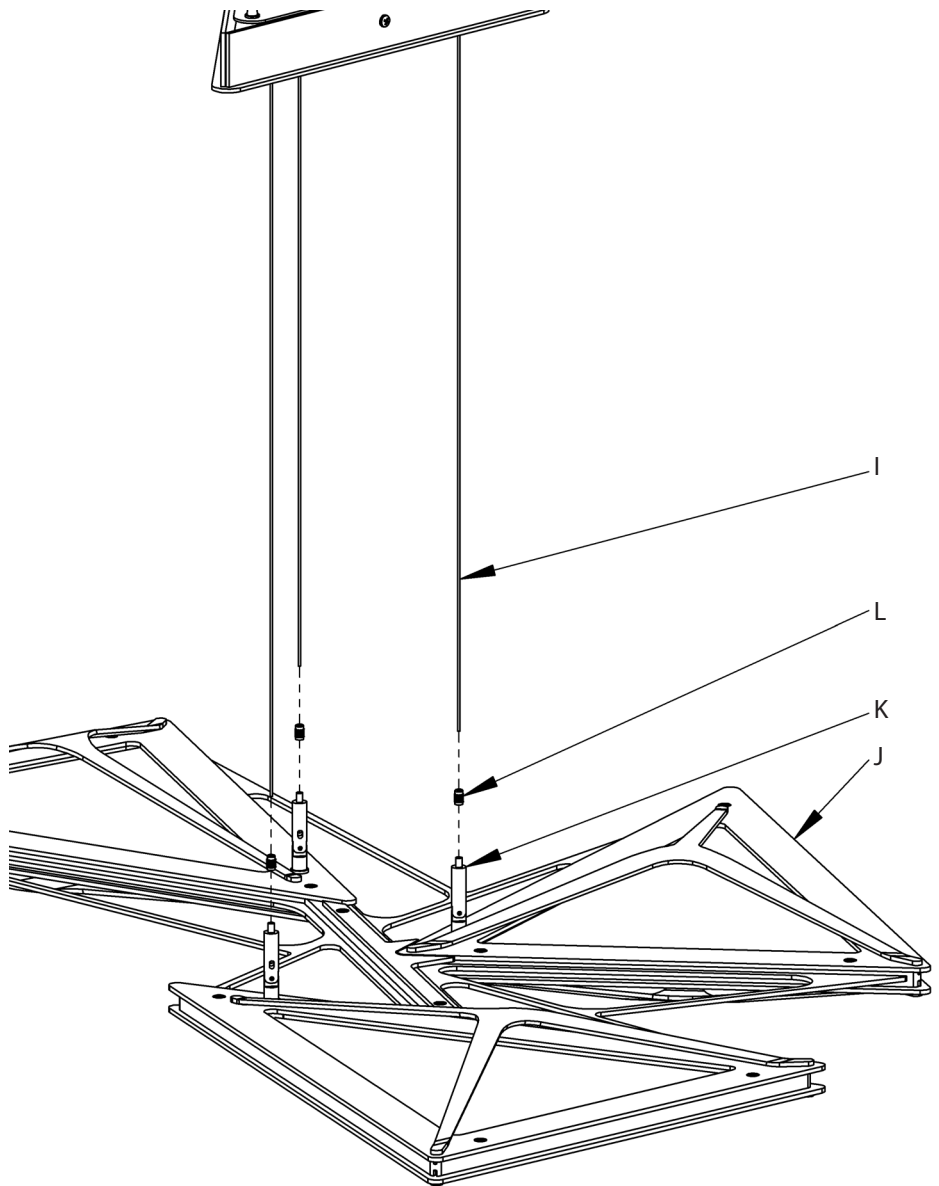
Note: if fixture needs to be lowered, push down on top of gripper (K) to release cable.

8. Once desired height of fixture is achieved, cut off excess cable (I) as close to the gripper (K) as possible.

CAUTION: ONCE EXCESS CALBE IS CUT, FIXTURE CANNOT BE LOWERED.

CAUTION: BE SURE THAT NO PIECE OF THE SUPPORT/SUPPY CABLE (I) IS TOUCHING THE FIXTURE (J)

9. Screw gripper locks (L) back onto grippers (K).
10. Restore electricity at main breaker.



If you need further assistance, or find that you are missing any parts, please contact the dealer from which you purchased this product. We hope you enjoy your fixture!

* Hubbardton Forge will not be liable for injury or damage caused by improper installation, lamping or use of this fixture.

HUBBARDTON FORGE®

Modern American Blacksmiths | Fine, Hand-Crafted Lighting
Castleton, Vermont USA | HUBBARDTONFORGE.COM

36492