

## COMPONENT PARTS

A	Canopy
B	Mounting Bracket
C	Anchor (4)
D	#10 Wood Screw (4)
E	Safety Cable
F	Ground Screw
G	Cupped Washer
H	Safety Cable screw
I	Gripper (2)
J	Barrel Knobs with threaded studs (4)
K	Lightbar
L	Fixture
M	Supply/Support Cables (2)
N	End Caps (2)
O	LED Board
P	Grommets (2)
Q	Driver
R	Large Crystal (5)
S	Large Sq Tube (5)
T	Small Crystal (3)
U	Small Sq Tube (3)
V	Nylon Tip Set Screws (8)

**CAUTION: FAILURE TO INSTALL THIS FIXTURE PROPERLY MAY RESULT IN SERIOUS PERSONAL INJURY OR DEATH AND PROPERTY DAMAGE. We recommend installation by a licensed electrician. This product must be installed in accordance with applicable installation code(s), by a person familiar with the construction and operation of the product and the hazards involved.\***

**CAUTION:** Do not exceed maximum wattage noted on fixture. Use only recommended bulbs with fixture.

*Please Note: After installation extra hardware and accessories are possible; our kits are used on multiple products.*

## TO ATTACH TO CEILING (Figure 1 - on following page)

**CAUTION: BE SURE POWER IS OFF AT THE MAIN BREAKER BOX PRIOR TO INSTALLATION.**

1. Carefully unpack the fixture from the carton.
2. Center the mounting bracket (B) over the electrical box. Be sure to line up oval slots in bracket with mounting holes in electrical box. With a pencil, mark the location of all mounting holes in the mounting bracket (B) on the ceiling.
3. Put the bracket down and drill 1/4" holes in the locations marked on the ceiling. Place the tapered end of the anchors (C) into the holes and gently tap them flush to the ceiling using a light weight hammer.
4. Thread the wires from the electrical box through the center hole in the mounting bracket (B) while moving the bracket into position.
5. Using two machine screws (not provided), fasten the mounting bracket (B) to the electric box using oval slots in center.  
**Note:** Most electric boxes comes with screws. When replacing a fixture, retain the existing screws for use with the new fixture.
6. Using the #10 screws (D), screw the bracket (B) securely to the ceiling. Be careful not to over-tighten or strip the anchors (C).
7. Holding canopy (A) close to ceiling, use safety cable screw (H) from mounting kit to attach the safety cable (E) to mounting bracket (B). This is used to temporarily suspend canopy (A) while making wiring connections.
8. Using suitable wire connectors (not provided) connect driver (Q) wires to supply wires (white to white and black to black). Attach a pigtail lead to mounting bracket (B) using the ground screw (F) and cupped washer (G), found in mounting kit. Connect all ground wires (bare copper or green to bare copper or green) together.

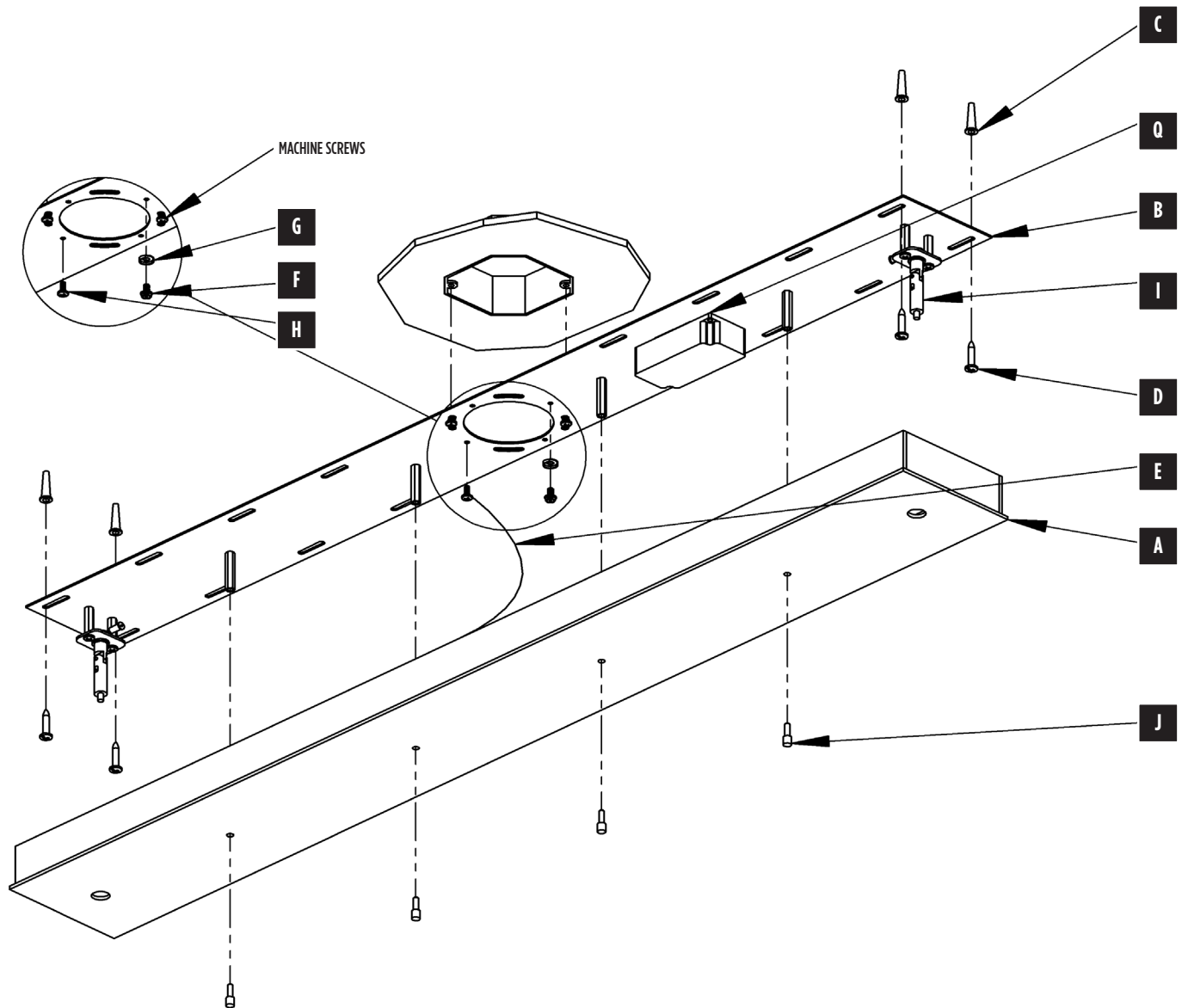
**CAUTION: MAKE SURE WIRE CONNECTORS ARE TWISTED ON SECURELY AND NO BARE WIRES ARE EXPOSED.**

10. Slip canopy (A) over grippers (I) and press canopy (A) to ceiling.

**CAUTION: BE SURE NO WIRES ARE PINCHED BETWEEN THE CANOPY (A) AND THE CEILING.**

11. Secure canopy (A) using (4) barrel knobs with threaded studs (J) found in mounting kit bag.

TO ATTACH TO CEILING (Figure 1) *continued*



(Figure 1)

## TO HANG FIXTURE (Figures 2 & 3)

1. Remove the velcro straps on the lightbar (K) and remove the LED board (O).

**Note:** The end caps (N) are shipped attached to the end of LED board (O). Shown in Figure 2.

2. Align the positive (+) and negative (-) labels on the LED Board (O) with the positive (+) and negative (-) labels on the grippers (I).

**Note:** Either supply/support cable (M) can be the (+) or (-) cable. The fixture (L) can be hung either direction.

3. After choosing the desired orientation for the fixture (L); run supply/support cable (M) through the end cap (N) and continue through the black grommet (P) in lightbar (K). Repeat step for remaining supply/support cable (M).

**Note:** It might be necessary to loosen set screws in end caps (N) to allow supply/support cable (M) to pass through.

**Note:** It might be necessary to turn metal part of endcap (N) so the holes line up with the lightbar (K).

4. Allow the LED board (O) and the lightbar (K) to rest on top of the fixture (L). Push the support/supply cable (M) from the positive (+) side of the LED Board (O) into the gripper (I) with the positive (+) label. Push the cable (M) in enough so that the cable exits the side of the gripper (I).

5. Repeat step 4 for the supply/support cable (M) coming from the negative side of the light bar (K).

6. Adjust fixture (L) to desired height by pushing the supply/support cables (M) into the gripper (I). If fixture (L) needs to be lowered, press in the plunger on the gripper (I) and pull the supply/support cables (M) out as much as needed.

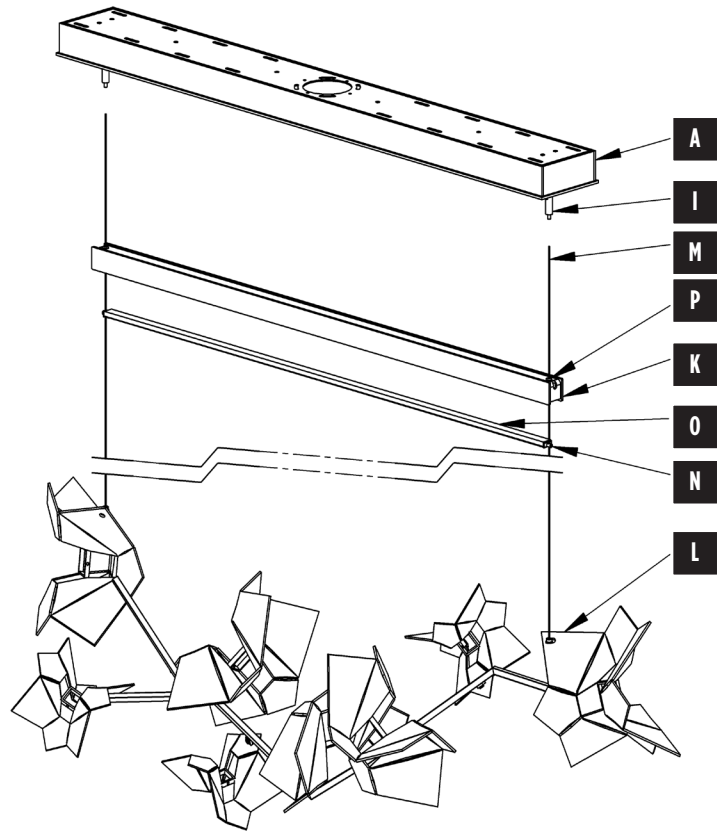
7. Level the lightbar (K) and LED board (O). Figure 3 shows the Design recommended height for the light bar (K) to the fixture.

8. Using the provided hex wrench tighten the set screws in the end caps (N).

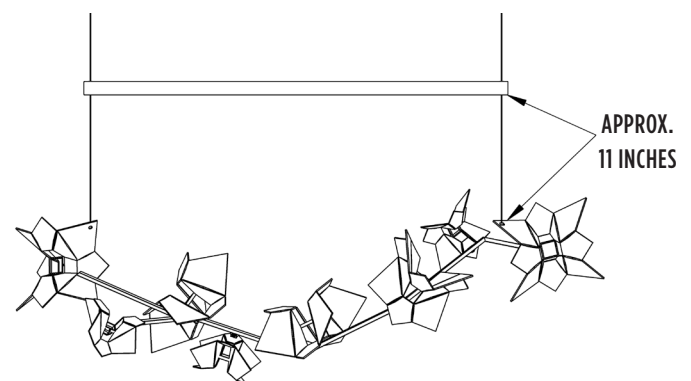
9. Once the fixture (L) is at the desired height, cut the supply/support cables (M) as close to the notch in the gripper (I) as possible.

**Note:** Once cables are cut the fixture can no longer be lowered.

10. Follow instructions on the following page to install crystals.



(Figure 2)

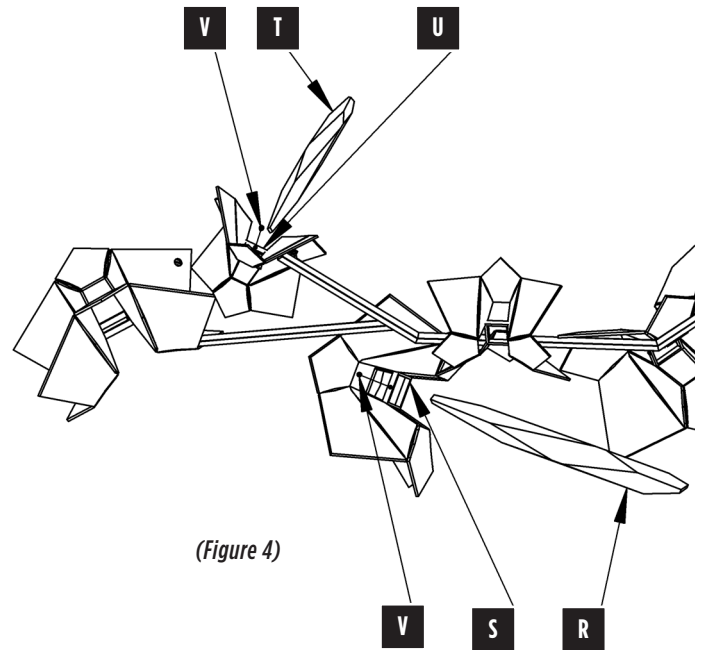


(Figure 3)

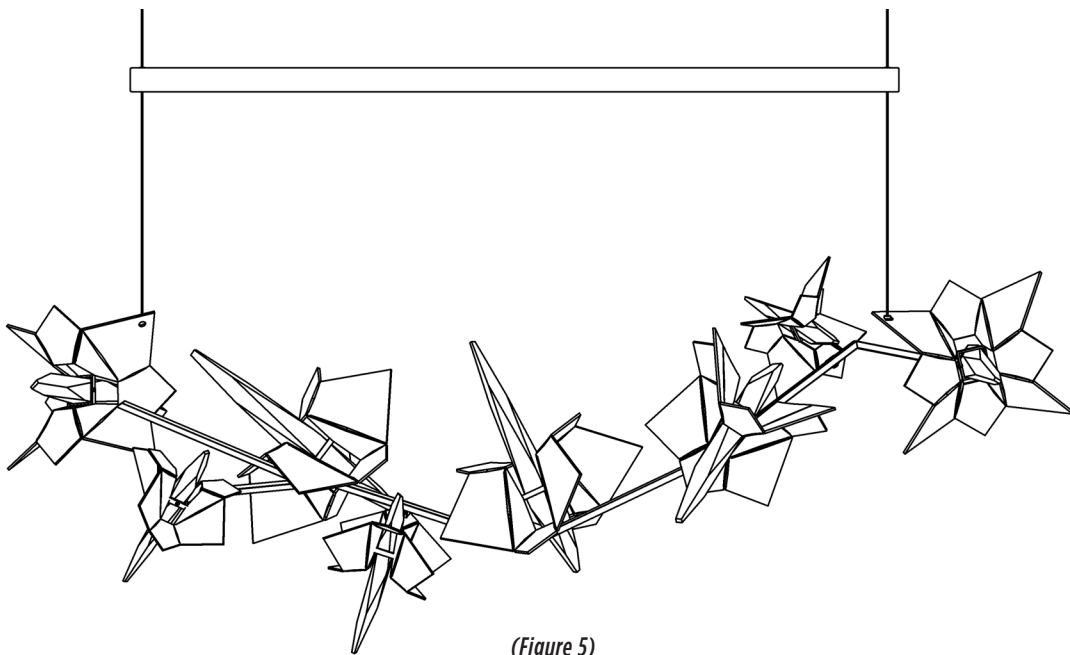
CONTINUED

## TO INSTALL CRYSTALS (Figures 4 & 5)

1. Locate the crystals (R & T) and white gloves.  
**Note:** Using white gloves while handling the crystals (R & T) will prevent smudges.
2. Locate nylon tip set screws (V) and hex wrench found in kit bag.
3. Slide large crystal (R) into the large sq tube (S) to desired position.  
**Note:** It may be necessary to rotate crystal to allow it to slide into the sq tube.
4. Thread set screw (V) into hole in large sq tube (S) until nylon tip contacts the crystal. Tighten with provide hex wrench to secure crystal (R).
5. Repeat steps with remaining large crystals (R) along with small crystals (T) and small sq tubes (U).  
**Note:** Figure 5 shows the design preference. Crystals can be hung in any orientation desired.
6. If needed, use the provided white gloves to polish the crystals.
7. Restore electricity at the main breaker.



(Figure 4)



(Figure 5)

If you need further assistance, or find that you are missing any parts, please contact the dealer from which you purchased this product. We hope you enjoy your fixture!

**\* Synchronicity / Hubbardton Forge will not be liable for injury or damage caused by improper installation, lamping or use of this fixture.**