

Assembly & Installation Instructions

A475

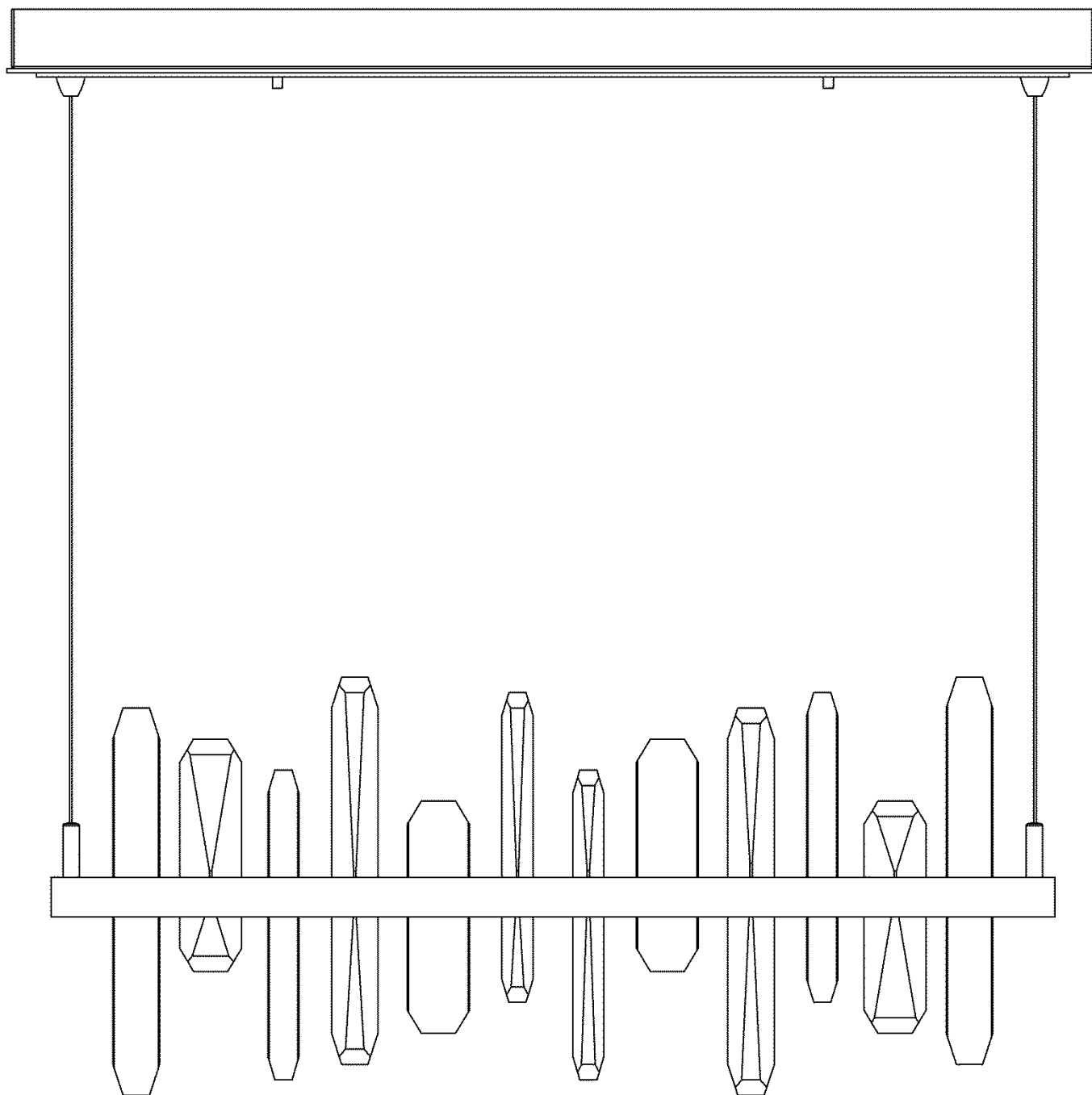
Solitude Single Pendant 139734D

Page 1 of 5

CAUTION: FAILURE TO INSTALL THIS FIXTURE PROPERLY MAY RESULT IN SERIOUS PERSONAL INJURY OR DEATH AND PROPERTY DAMAGE. We recommend installation by a licensed electrician.

This product must be installed in accordance with applicable installation code(s), by a person familiar with the construction and operation of the product and the hazards involved.*

Caution: Do not exceed maximum wattage noted on fixture. Use only recommended bulbs with fixture.



Assembly & Installation Instructions

Solitude Single Pendant 139734D

A475

Page 2 of 5

Component Parts

A	Canopy
B	Mounting Bracket
C	#10 Wood Screw (8)
D	Supply / Support Cables (4)
E	Driver
F	Cupped Washer
G	#8 Nut
H	Barrel Knobs (2)
I	Standoff (2)
J	Threaded Studs (2)
K	Safety Cable
L	Safety Cable Nut
M	Fixture
N	Gripper (4)
O	Gripper Cover (4)
P	Crystal Assemblies (2)
Q	Light Guide Plate

Assembly & Installation Instructions

Solitude Single Pendant 139734D

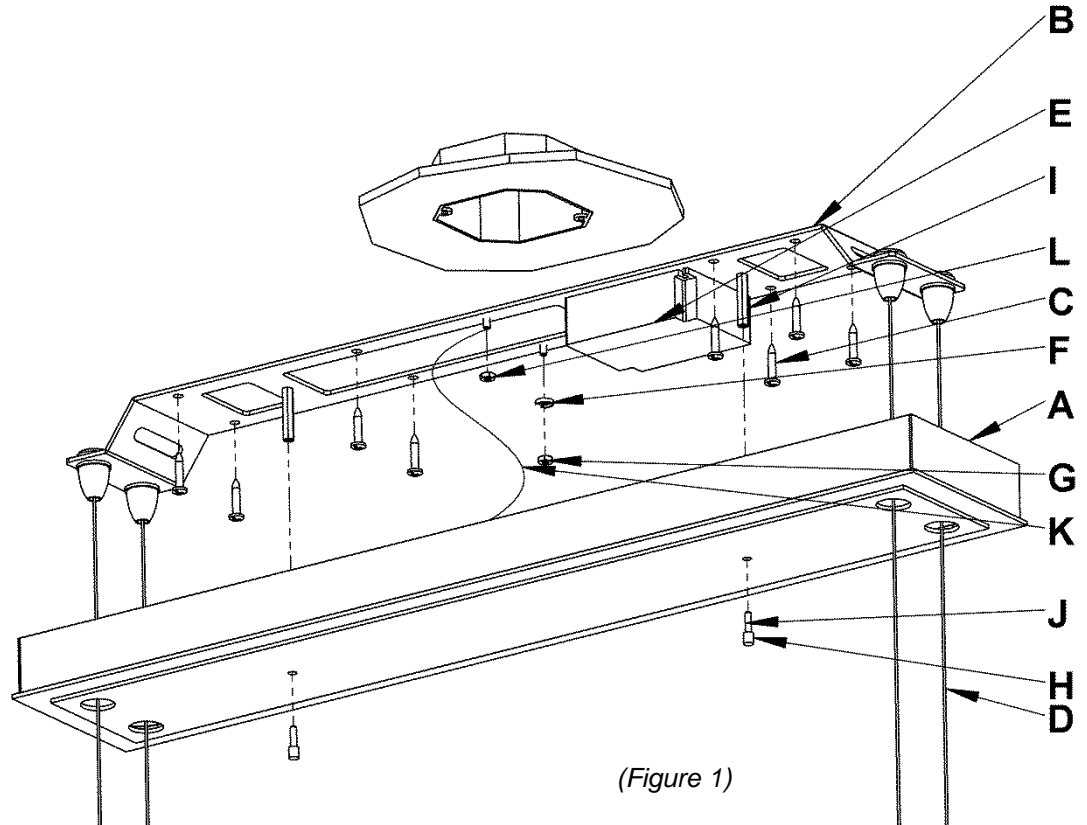
A475

Page 3 of 5

Install to Ceiling (Figure 1)

Caution: Be sure power is off at the main breaker box prior to installation.

1. Carefully unpack fixture from carton.
2. Using wood screws (C) attach mounting bracket (B) to a structural member in the ceiling, centering the bracket over the outlet box. Wood screws are supplied with your fixture. Different materials and/or construction methods may require different fasteners. If in doubt, contact a qualified electrician. Do not attach bracket directly to outlet box.



(Figure 1)

3. Align the (+) label on canopy (A) so that it lines up with the (+) label on mounting bracket (B).
4. Slide supply/support cables (D) through holes in canopy (A). Raise canopy (A) close to ceiling and attach safety cable (K) using safety cable nut (L) that is shipped on the mounting bracket (B).
Note: Safety cable is used to temporarily suspend canopy while wiring connections are made.
5. Using suitable wire connectors (not provided) connect driver (E) wires to supply wires (white to white and black to black).
Caution: Make sure wire connectors are twisted on securely, and no bare wire is exposed.
6. Using cupped washer (F) and #8 nut (G), attach a pigtail lead to the bracket. Connect all ground wires together (bare copper or green to bare copper or green). Push wires back into outlet box. (*Cupped washer (F) and #8 nut (G) ship installed on mounting bracket (B)*)
7. Raise canopy (A) and push firmly to ceiling, making sure that no wires are pinched between canopy (A) and ceiling. Screw barrel knobs (H) with threaded studs (J) into standoffs (I) to secure canopy (A). (*Barrel knobs (H) and threaded studs (J) ship attached*)
8. Follow instructions on following page to assemble fixture.

(continued)

Assembly & Installation Instructions

A475

Solitude Single Pendant 139734D

Page 4 of 5

To Assemble Fixture (Figure 2)

1. Align the end of fixture (M) that has (+) and (-) labels with the end of canopy (A) that has (+) and (-) labels attached.

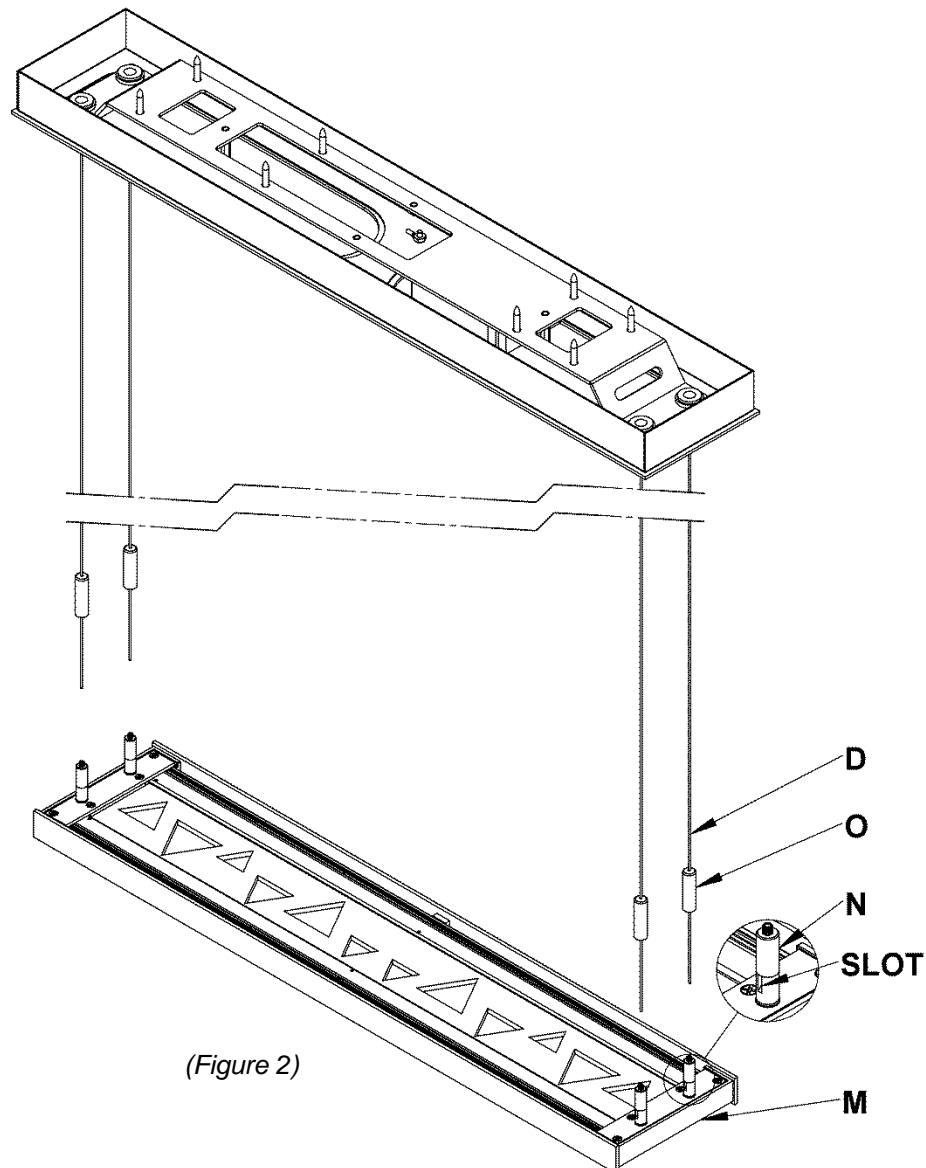
Note: The positive supply/support cable (D) should align with the positive gripper (N)

2. Unscrew gripper cover (O) from gripper (N). Slide gripper cover (O) over supply/support cable (D). Insert supply/support cable (D) into gripper (N) until supply/support cable sticks through the slot in the side of the gripper (N).
3. Repeat with remaining supply/support cables (D).
4. Adjust height of fixture (M), making sure to keep fixture level, by pulling on cables (D).

Note: If fixture needs to be lowered, push down on top of canopy gripper (N) to release cable.

Note: Excess cable will be cut after decorative assemblies are installed.

5. Follow instructions on next page to install decorative assemblies.



(Figure 2)

(continued)

Assembly & Installation Instructions

Solitude Single Pendant 139734D

A475

Page 5 of 5

Install Decorative Assemblies (Figure 3)

1. Using the provided white gloves, align crystal assemblies (P) with the triangle holes in light guide plate (Q) and install assemblies.

Note: The crystal assemblies can only be installed in the correct orientation

Note: Crystals may need to be adjusted to straight by hand after installation. The assembly is meant to be slightly loose to allow for adjustment.

Note: If a crystal will not adjust to straight use the provided screw driver to loosen the set screw holding the crystal a little at a time until gravity allows it hang straight.

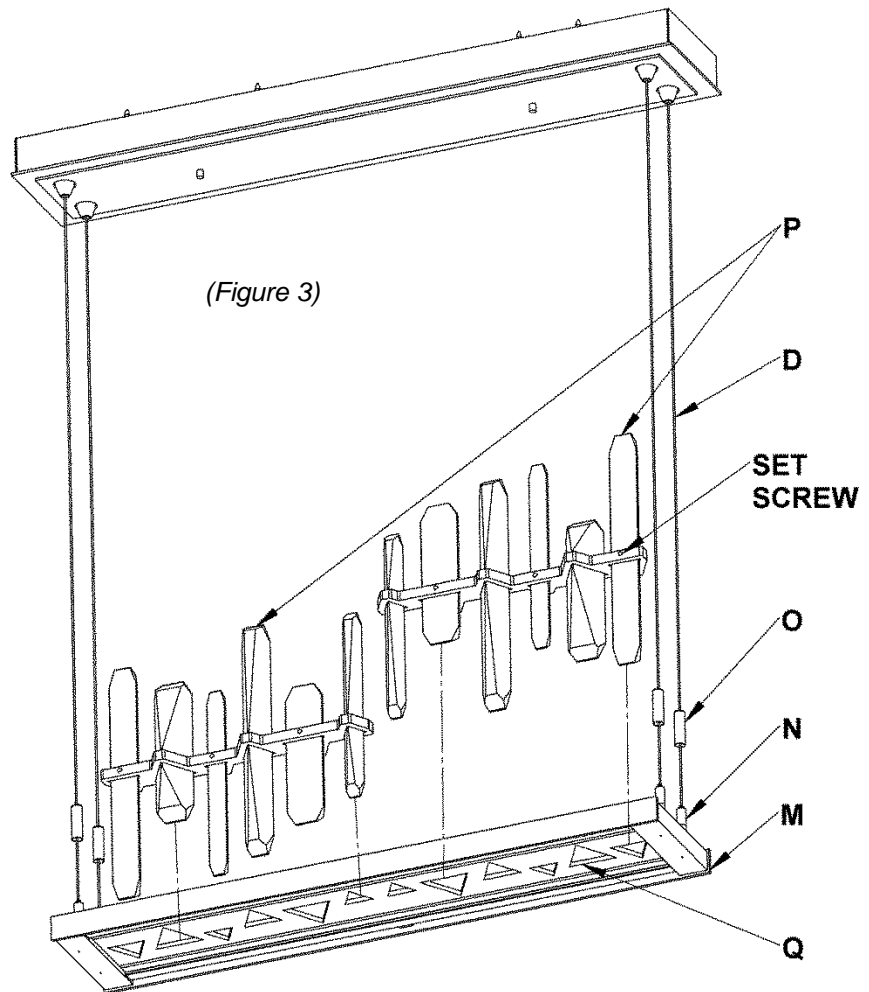
Note: Any handling of the crystal should be done with white gloves on to prevent smudging. The provided white gloves can be used to gently wipe the crystals clean if needed.

2. Once desired height of the fixture is achieved, cut off the excess supply/support cable (D) as close to the gripper (N) as possible.

Note: Once excess cable is cut, fixture cannot be lowered.

3. Slide gripper covers (O) over grippers (N) and thread until snug.

4. Restore electricity at main breaker.



If you need further assistance, or find that you are missing any parts, please contact the dealer from which you purchased this product. We hope you enjoy your fixture!

* Hubbardton Forge will not be liable for injury or damage caused by improper installation, lamping or use of this fixture.

HUBBARDTON FORGE®

Hand-Forged, Vermont-Made Lighting and Accessories
P.O. Box 827, 154 Route 30 South, Castleton, Vermont 05735

36909