

# Assembly & Installation Instructions

**A403**

Cityscape Pendant 139725D

Page 1 of 3

**CAUTION: FAILURE TO INSTALL THIS FIXTURE PROPERLY MAY RESULT IN SERIOUS PERSONAL INJURY OR DEATH AND PROPERTY DAMAGE. We recommend installation by a licensed electrician.**

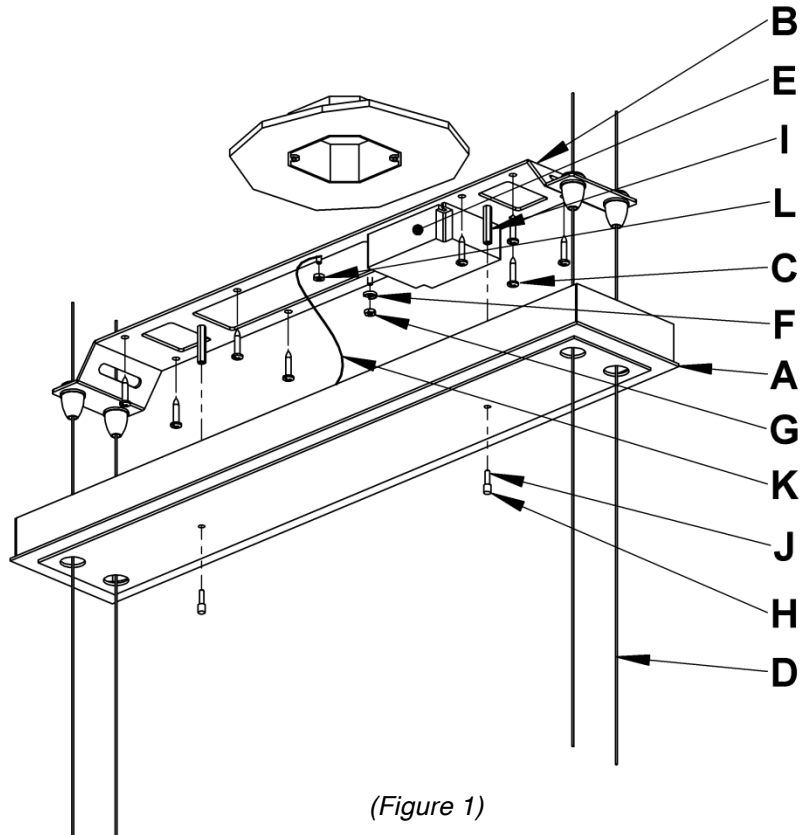
This product must be installed in accordance with applicable installation code(s), by a person familiar with the construction and operation of the product and the hazards involved.\*

**Caution:** Do not exceed maximum wattage noted on fixture. Use only recommended bulbs with fixture.

## Install to Ceiling (Figure 1)

### Component Part

- A Canopy
- B Mounting Bracket
- C #10 Wood Screws (8)
- D Support Cable (4)
- E Driver
- F Cupped Washer
- G #8 Nut
- H Barrel Knobs (2)
- I Standoff (2)
- J Threaded Stud (2)
- K Safety Cable
- L Safety Cable Nut



**Caution: Be sure power is off at the main breaker box prior to installation.**

1. Carefully unpack fixture from carton.
2. Using wood screws (C) attach mounting bracket (B) to a structural member in the ceiling, centering the bracket over the outlet box. Wood screws are supplied with your fixture. Different materials and/or construction methods may require different fasteners. If in doubt, contact a qualified electrician. Do not attach bracket directly to outlet box.
3. Slide support cables (D) through holes in canopy (A). Raise canopy (A) close to ceiling and attach safety cable (K) using safety cable nut (L) that is shipped on the mounting bracket (B).

**Note:** Safety cable is used to temporarily suspend canopy while wiring connections are made.

4. Using suitable wire connectors (not provided) connect driver (E) wires to supply wires (white to white and black to black).
5. Using cupped washer (F) and #8 nut (G) that are attached to bracket (B), attach a pigtail lead to the bracket. Connect all ground wires together (bare copper or green to bare copper or green). Push wires back into outlet box.
6. Raise canopy (A) and push firmly to ceiling, making sure that no wires are pinched between canopy (A) and ceiling. Screw barrel knobs (H) with threaded studs (J) into standoffs (I) to secure canopy (A). (*Barrel knobs (H) and threaded studs (J) ship attached*)
7. Follow instructions on following page to assemble fixture.

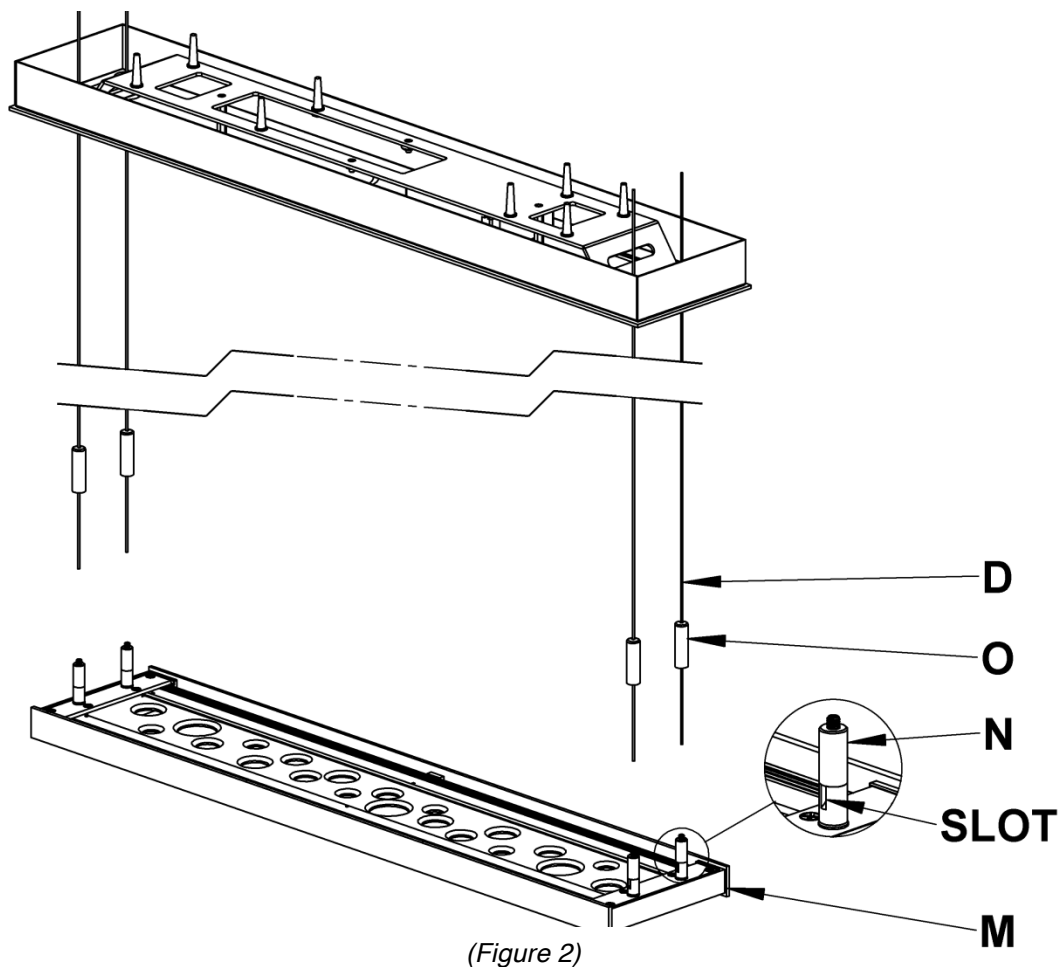
(continued)

## To Assemble Fixture (Figure 2)

### Component Parts

- A Canopy
- D Support Cable (4)
- M Fixture
- N Gripper (4)
- O Gripper Cover (4)

1. Align end of fixture (M) that has (+) and (-) labels with canopy (A) with (+) and (-) labels attached.
2. Unscrew gripper cover (O) from gripper (N). Slide gripper cover (O) over cable (D). Insert cable (D) into gripper (N) until cable sticks through the slot in the side of the gripper (N).
3. Repeat with remaining cables (D).
4. Adjust height of fixture (M), making sure to keep fixture level, by pulling on cables (D).  
**Note:** If fixture needs to be lowered, push down on top of canopy gripper (N) to release cable.  
**Note:** Excess cable will be cut after decorative assemblies are installed.
5. Follow instructions on next page to install decorative assemblies.



# Assembly & Installation Instructions

Cityscape Pendant 139725D

**A403**

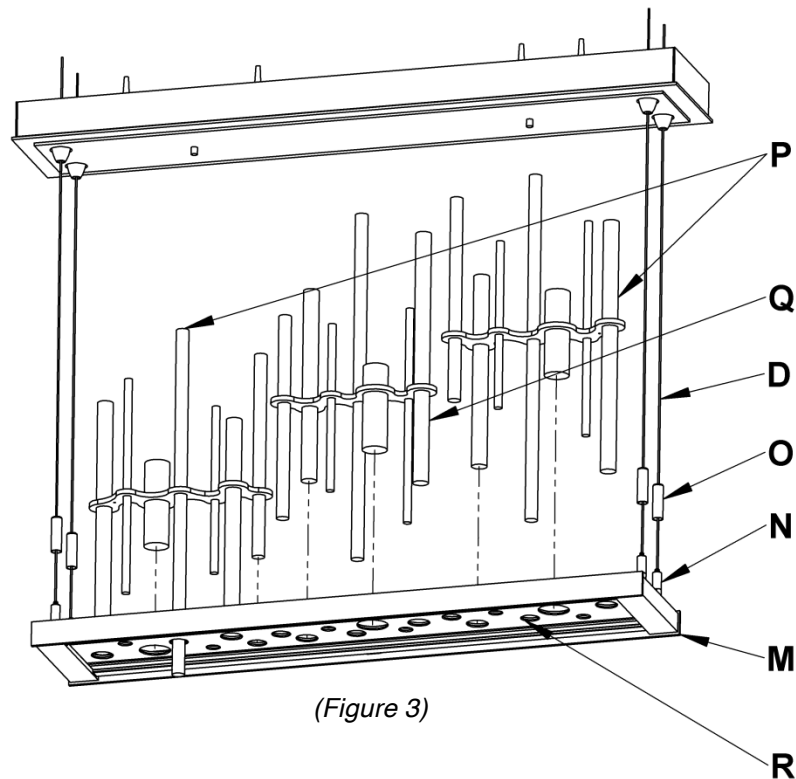
Page 3 of 3  
(continued)

## **Install Decorative Assemblies** (Figure 3 & 4)

### Component Part

- D Support Cable (4)
- M Fixture
- N Gripper (4)
- O Gripper Cover (4)
- P Wide Assembly (2)
- Q Narrow Assembly
- R Light Guide Plate

1. Separate decorative assemblies. The two wide assemblies (P) will be used on each end of the fixture (M) and the narrow assembly (Q) will be in the center.
2. Align assemblies (P & Q) with holes in light guide plate (R). Install assemblies into light guide plate (R) with welds facing down.
3. Once desired height of the fixture (M) with decorative assemblies installed is achieved, cut off the excess cable (D) as close to the gripper (N) as possible.  
**Caution:** Once excess cable is cut, fixture cannot be lowered.
4. Slide gripper covers (O) over grippers (N) and thread until snug.
5. Restore electricity at main breaker.



*If you need further assistance, or find that you are missing any parts, please contact the dealer from which you purchased this product. We hope you enjoy your fixture!*

\* Hubbardton Forge will not be liable for injury or damage caused by improper installation, lamping or use of this fixture.

**HUBBARDTON FORGE®**

Hand-Forged, Vermont-Made Lighting and Accessories  
P.O. Box 827, 154 Route 30 South, Castleton, Vermont 05735

32731