

Assembly & Installation Instructions

A365

Bento LED Pendant 138650D

Page 1 of 6

CAUTION: FAILURE TO INSTALL THIS FIXTURE PROPERLY MAY RESULT IN SERIOUS PERSONAL INJURY OR DEATH AND PROPERTY DAMAGE. We recommend installation by a licensed electrician. This product must be installed in accordance with applicable installation code(s), by a person familiar with the construction and operation of the product and the hazards involved.*

Caution: Do not exceed maximum wattage noted on fixture. Use only recommended bulbs with fixture.

Note: Support Cable also acts as Low Voltage Supply Cable.

To Install to Ceiling (Figures 1-5)

Component Parts

A Ceiling Bracket	G Cable Gripper (3)
B Lag Screw (4)	H Flat Head Screws (2)
C Canopy	I Canopy Nipple
D Canopy Support Cable	J Canopy Cover
E #8 Screw	K Cap
F Support/Supply Cable (3)	L Insulating Barrier

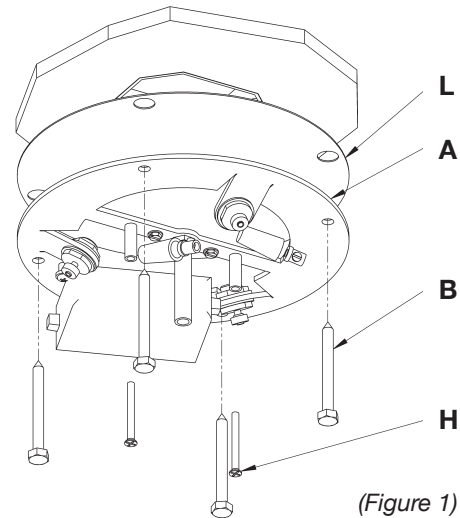
CAUTION: BE SURE POWER IS OFF AT THE MAIN BREAKER BOX PRIOR TO INSTALLATION.

1. Carefully unpack the fixture from the carton. Put the ceiling bracket (A) and canopy (C) together, making sure the canopy mounting holes match up with the ceiling bracket threaded standoffs. Orient them to achieve desired wire location.

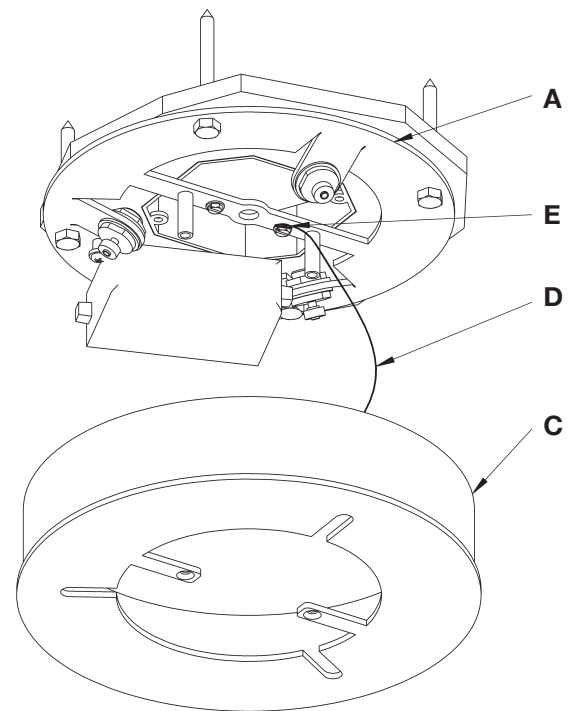
Note: Flat head screws (H) will need to be removed from ceiling bracket (A) prior to installation of the canopy (C). The screws are shipped installed. Remove screws and retain for step 13.

2. Place insulating barrier (L) between ceiling bracket and ceiling and align holes.
3. Using the four lag screws (B) attach ceiling bracket (A) to a structural member in the ceiling, centering the crossbar over the outlet box (Figure 1). Lag screws have been supplied with your fixture; however, different materials and/or construction methods may require different fasteners. If in doubt, contact a qualified electrician. Do not attach crossbar directly to outlet box.
4. Attach canopy support cable (D) to mounting bracket using a #8 screw (E). Temporarily suspend canopy using cable (Figure 2). #8 screw (E) ships installed, it will need to be removed prior to installation of the support cable (D).

CAUTION: THE CABLE IS INTENDED TO TEMPORARILY SUSPEND THE CANOPY TO HELP WITH FIXTURE INSTALLATION.



(Figure 1)



(Figure 2)

(Continued)

If you need further assistance, or find that you are missing any parts, please contact the dealer from which you purchased this product. We hope you enjoy your fixture!

* Hubbardton Forge will not be liable for injury or damage caused by improper installation, lamping or use of this fixture.

Assembly & Installation Instructions

A365

Bento LED Pendant 138650D

Page 2 of 6

(Continued)

5. Loosen cable gripper locks before trying to install cables. (Figure 3).

Note: Support cable (F) will not be able to pass through the cable gripper (G) unless the locks are loose.

6. Raise fixture and push support cables (F) through the canopy (C) and into the cable grippers (G) until desired fixture height is accomplished and level. Once desired height is accomplished and product is level, tighten cable gripper locks. (Figure 3).
7. Using suitable wire connectors (not provided) connect driver wires marked 'supply' to supply wires (white to white, black to black). Connect all ground wires.
8. Push supply connectors up through the slot in the insulating barrier so that connections are inside the outlet box.

CAUTION: MAKE SURE WIRE CONNECTORS ARE TWISTED ON SECURELY, AND NO BARE WIRE IS EXPOSED.

9. Locate the 4 PVC isolation sleeves (provided). Locate support cable (F) with a (+) label on the fixture and slip the 2 red isolation sleeves (provided) over the end. Locate support cable (F) with a (-) label on the fixture and slip the two black isolation sleeve (provided) over the end.
10. Using heavy duty cable cutters, cut excess supply/support cable (F) allowing enough left (approx. 3/4") to make connections.
11. Using suitable wire connectors (provided) connect support cable (F) with red isolation sleeve to red driver wire with (+) label attached. Connect support cable (F) with black isolation sleeve to black driver wire with (-) label attached.

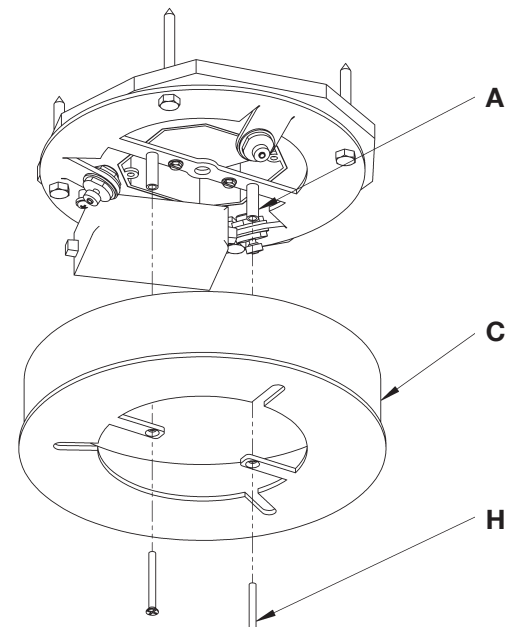
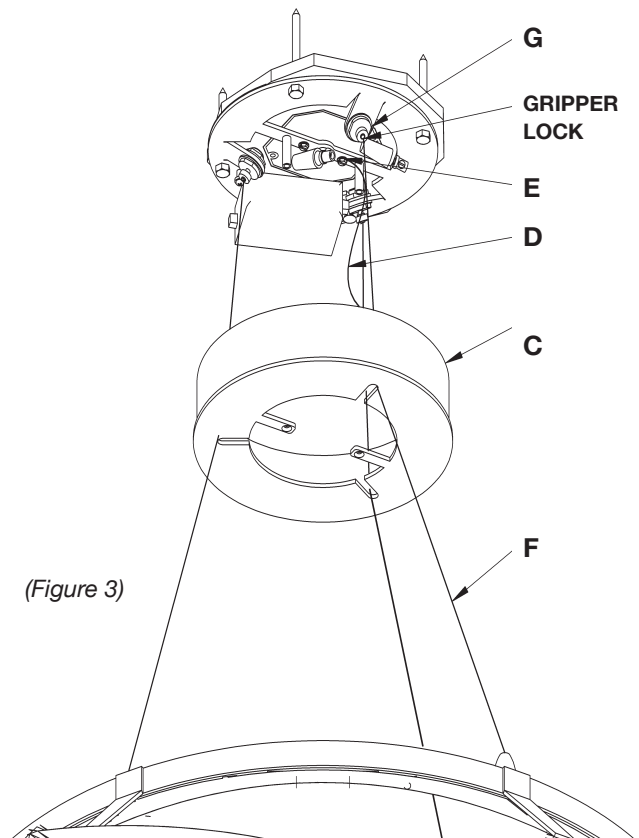
CAUTION: MAKE SURE WIRE CONNECTORS ARE ON SECURELY, AND NO BARE WIRE IS EXPOSED.

12. Remove canopy support cable (D) by removing #8 screw (E) from ceiling bracket (A) and #8 nut from canopy (C) (discard cable).
13. Raise the canopy (C) and attach to ceiling bracket (A) with two flat head screws (H) (Figure 4).
14. Slip canopy cover (J) onto canopy nipple (I) (Figure 5, next page).
15. Thread cap (K) on to canopy nipple (I). Tighten against canopy cover (J) until snug.
16. Refer to instructions following to assemble and install shade.

(Continued)

If you need further assistance, or find that you are missing any parts, please contact the dealer from which you purchased this product. We hope you enjoy your fixture!

*Hubbardton Forge will not be liable for injury or damage caused by improper installation, lamping or use of this fixture.



Assembly & Installation Instructions

A365

Bento LED Pendant 138650D

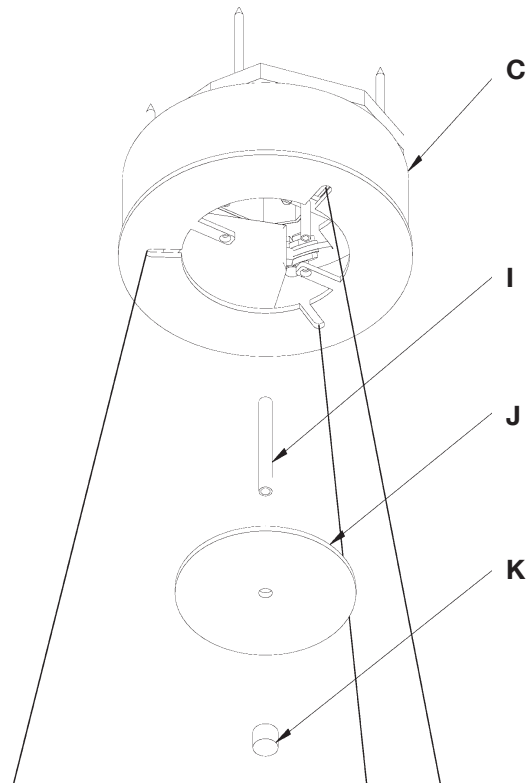
Page 3 of 6

Assemble Shade (Figure 6)

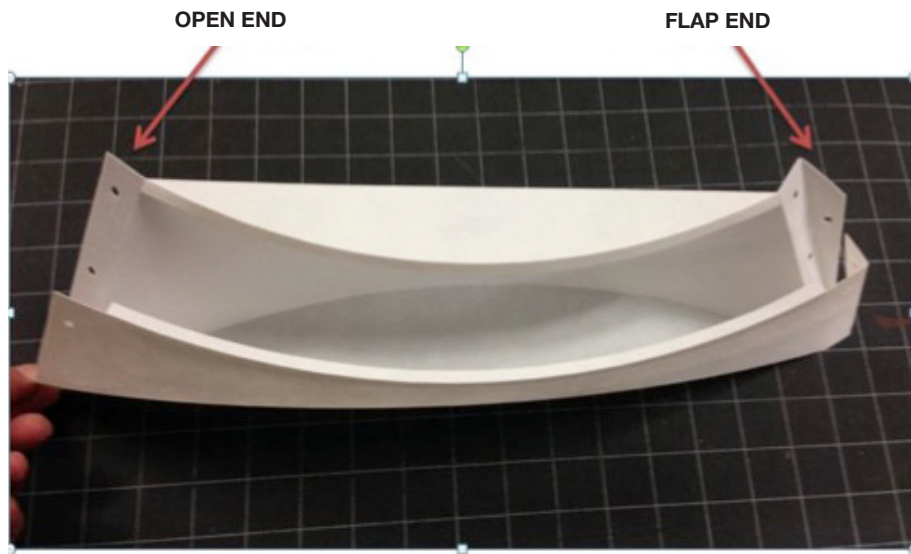
Component Parts

- M Shade (6)
- N Plastic Rivets

1. Remove shade from plastic bag.
2. Locate 'Flap End' and "Open End" of shade. (Figure 6)
3. Secure "Flap End" of shade by pressing Plastic Rivets into holes in shade. (Figure 7 & 8)
4. Repeat steps 1-3 for all 6 shades.
5. Starting with two shades, place 'Open end' of one shade outside the 'Flap End' of the second shade. (Figure 9) Secure two shades together in 3 places using plastic rivets. (Figure 10 & 11) Continue attaching the additional shades until all are shades are attached. (Figure 12)



(Figure 5)



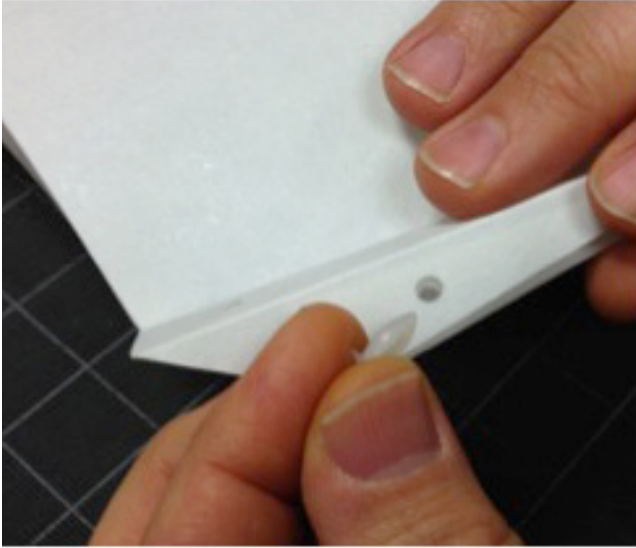
(Figure 6)

(Continued)

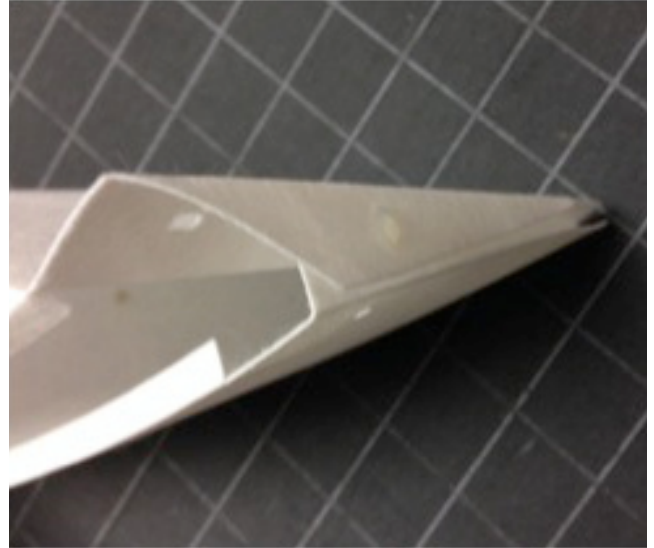
If you need further assistance, or find that you are missing any parts, please contact the dealer from which you purchased this product. We hope you enjoy your fixture!

* Hubbardton Forge will not be liable for injury or damage caused by improper installation, lamping or use of this fixture.

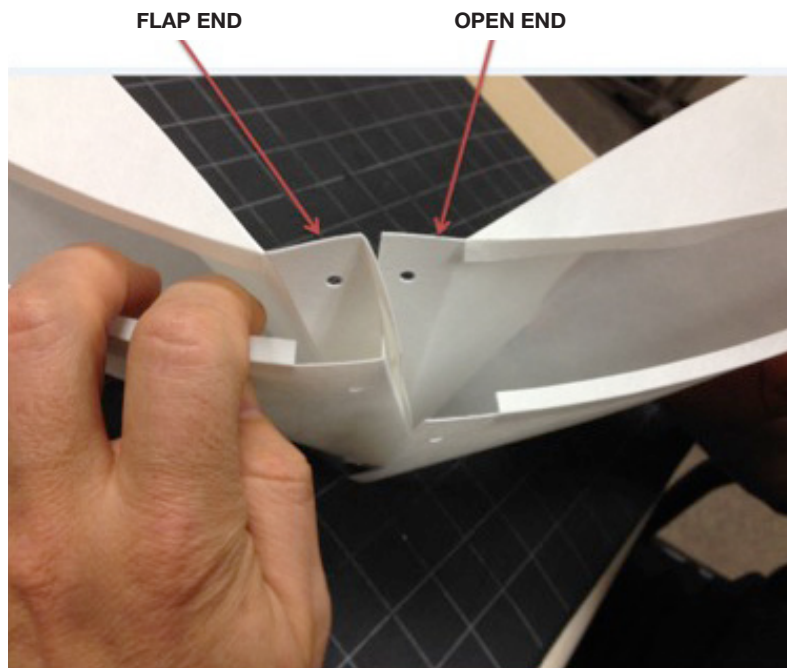
Assemble Shade (Figure 6-12)



(Figure 7)



(Figure 8)



(Figure 9)

(Continued)

If you need further assistance, or find that you are missing any parts, please contact the dealer from which you purchased this product. We hope you enjoy your fixture!

*** Hubbardton Forge will not be liable for injury or damage caused by improper installation, lamping or use of this fixture.**

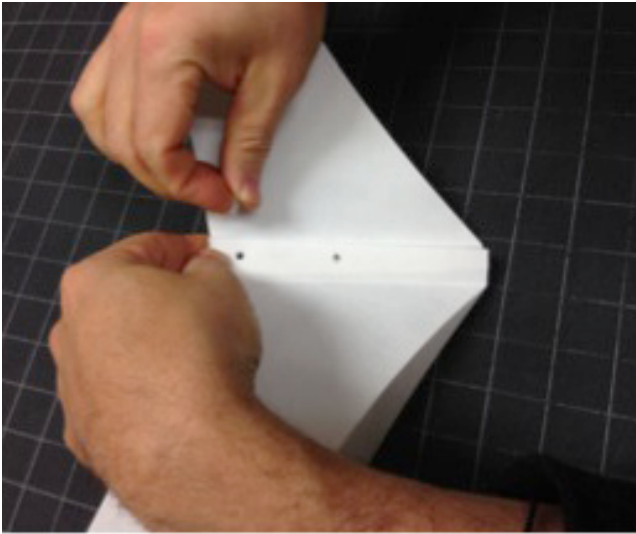
Assembly & Installation Instructions

A365

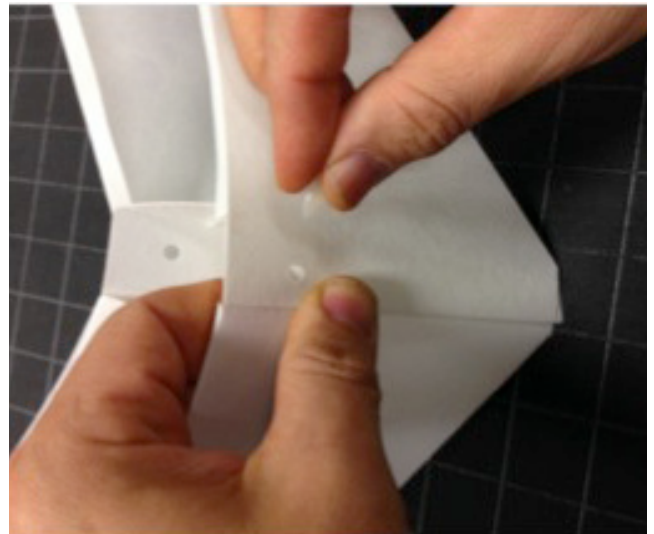
Bento LED Pendant 138650D

Page 5 of 6

Assemble Shade (Figure 6-12)



(Figure 10)



(Figure 11)



(Figure 12)

(Continued)

If you need further assistance, or find that you are missing any parts, please contact the dealer from which you purchased this product. We hope you enjoy your fixture!

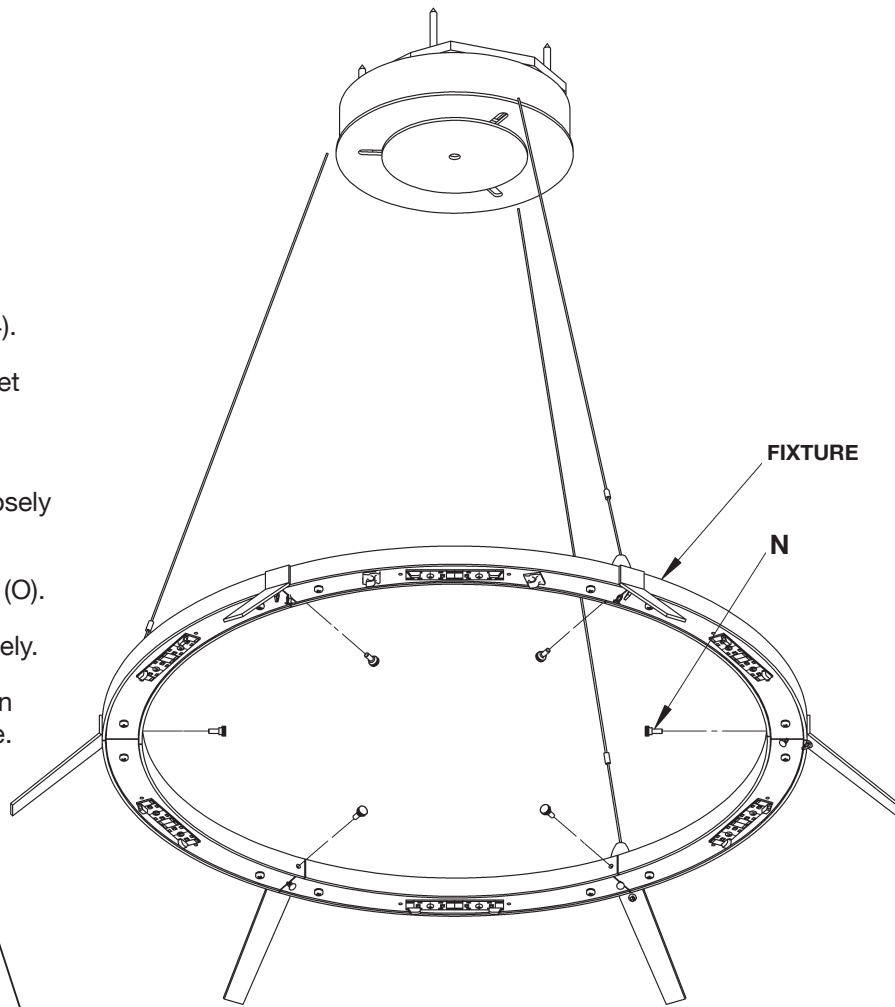
*** Hubbardton Forge will not be liable for injury or damage caused by improper installation, lamping or use of this fixture.**

Install Shade (Figures 13-14)

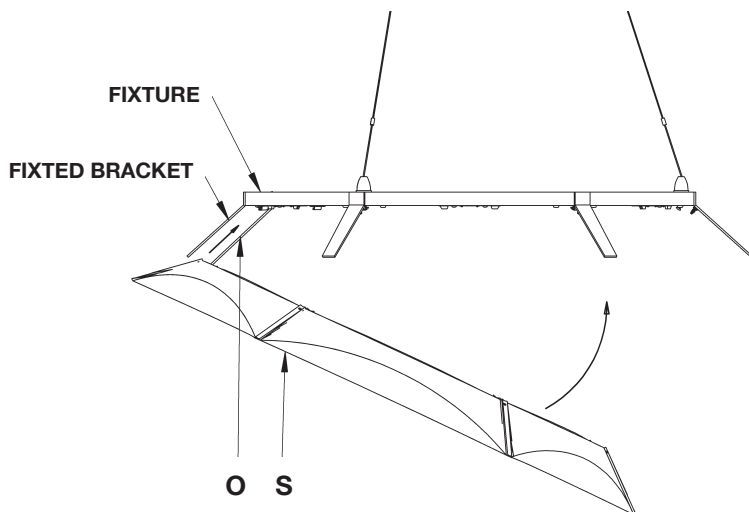
Component Parts

- S Shade Assy
- N Thumb Screw (6)
- O Shade Bracket (6)

1. Remove Thumb screws (N) from fixture and set aside. (Figure 13)
2. Loosely install one Shade Bracket (O) (Figure 14).
3. Slip Shade assembly (S) in between fixed bracket and Shade Bracket (O)
4. Rotate Shade assembly into place and install second Shade bracket (O) opposite from the loosely installed Shade Bracket (Figure 14)
5. Loosely tighten first and second Shade Bracket (O).
6. Install the remainder of Shade Brackets (O) loosely.
7. When all Shade Brackets (O) are installed tighten each one while pushing shade up against fixture.
8. Restore Electricity at main breaker.



(Figure 13)



(Figure 14)

If you need further assistance, or find that you are missing any parts, please contact the dealer from which you purchased this product. We hope you enjoy your fixture!

***Hubbardton Forge will not be liable for injury or damage caused by improper installation, lamping or use of this fixture.**