

# Assembly & Installation Instructions

**A317**

Aura LED Lg Pendant 13-8589D

Page 1 of 3

**CAUTION: FAILURE TO INSTALL THIS FIXTURE PROPERLY MAY RESULT IN SERIOUS PERSONAL INJURY OR DEATH AND PROPERTY DAMAGE. We recommend installation by a licensed electrician.**

This product must be installed in accordance with applicable installation code(s), by a person familiar with the construction and operation of the product and the hazards involved.\*

**Caution:** Do not exceed maximum wattage noted on fixture. Use only recommended bulbs with fixture.

**Note:** Support Cable also acts as Low Voltage Supply Cable.

## To Install to Ceiling (Figures 1 thru 5)

### Component Parts

A Ceiling Bracket	G Cable Gripper (3)
B Lag Screw (3)	H Flat Head Screws (2)
C Canopy	I Canopy Nipple
D Canopy Support Cable	J Canopy Cover
E #8 Screw	K Knob
F Support/supply Cable (3)	

**Caution: Be sure power is off at the main breaker box prior to installation.**

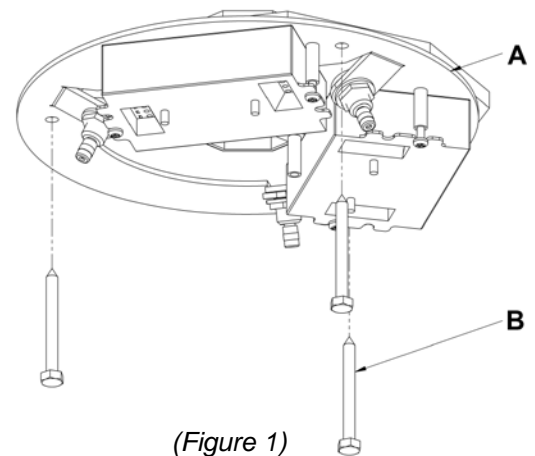
1. Carefully unpack the fixture from the carton. Put the ceiling bracket (A) and canopy (C) together, making sure the canopy mounting holes match up with the ceiling bracket threaded standoffs. Orient them to achieve desired wire location.
2. Using the three lag screws (B) attach ceiling bracket (A) to a structural member in the ceiling, centering the crossbar over the outlet box (Figure 1). Lag screws have been supplied with your fixture; however, different materials and/or construction methods may require different fasteners. If in doubt, contact a qualified electrician. **Do not** attach crossbar directly to outlet box.

3. Attach canopy support cable (D) to mounting bracket using a #8 screw (E). Temporarily suspend canopy using cable (Figure 2). #8 screw (E) ships installed, it will need to be removed prior to installation of the support cable (D).

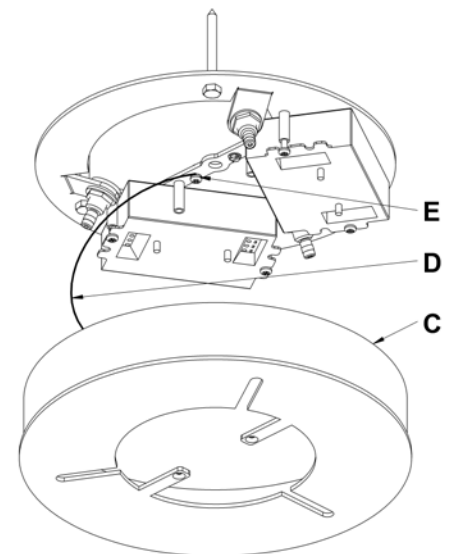
**Caution:** The cable is intended to temporarily suspend the canopy to help with fixture installation. Never depend on them to support fixtures with glass installed.

4. Loosen cable gripper locks before trying to install cables.

**Note:** Support cable (F) will not be able to pass through the cable gripper (G) unless the locks are loose.



(Figure 1)



(Figure 2)

(continued)

# Assembly & Installation Instructions

Aura LED Lg Pendant 13-8589D

**A317**

Page 2 of 3

5. Raise fixture and push support cables (F) through the canopy (C) and into the cable grippers (G) until desired fixture height is accomplished and level. Once desired height is accomplished and product is level, tighten cable gripper locks (Figure 3).
6. Using heavy duty cable cutters, cut excess supply/support cable (F) allowing enough left (approx. 4") to make connections. Locate support cable (F) with a (+) label near the fixture and slip the red isolation sleeve (provided) over the end. Locate support cable (F) with a (-) label near the fixture and slip the black isolation sleeve (provided) over the end.
7. Using suitable wire connectors (provided) connect support cable (F) with red isolation sleeve to red driver wires with (+) label attached. Connect support cable (F) with black isolation sleeve to black driver wires with (-) label attached.

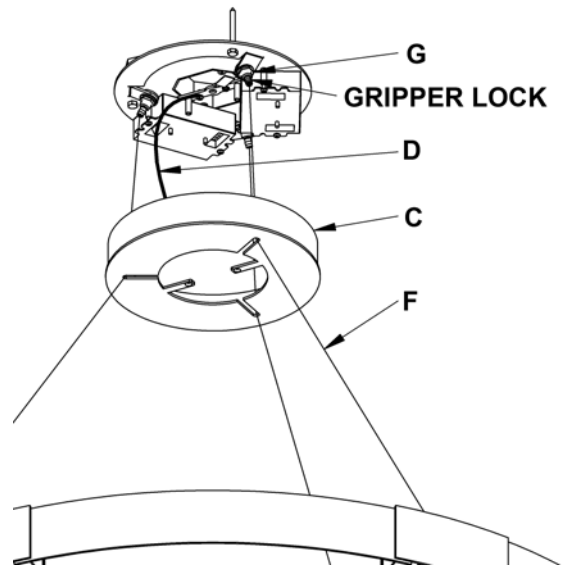
**Caution:** Make sure wire connectors are on securely, and no bare wire is exposed.

**Note:** If using the supplied closed end connector, please use the MR30A crimping tool. If the correct crimping tool isn't available, please use the alternate supplied connector (black with set screw insert).

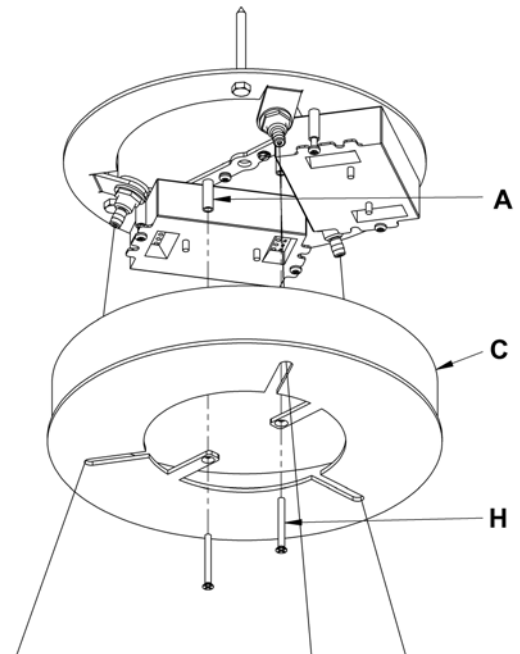
8. Remove canopy support cable (D) by removing #8 screw (E) from one end and #8 nut from other end (discard cable).

**Note:** Flat head screws (H) will need to be removed from ceiling bracket (A) prior to installation of the canopy (C). The screws are shipped installed.

9. Raise the canopy (C) to the ceiling and attach to ceiling bracket (A) with two flat head screws (H). (Figure 4).
10. Using suitable wire connectors (not provided) connect fixture wires to supply (white to white or ribbed, black to black or smooth). Connect all ground wires.  
**Caution:** Make sure wire connectors are twisted on securely, and no bare wire is exposed.
11. Thread canopy nipple (I) into threaded hole directly in center of ceiling bracket (A).
12. Install canopy cover (J) on canopy nipple (I) (Figure 5, next page).
13. Thread knob (K) on to canopy nipple (I). Tighten against canopy cover (J) until snug.
14. Refer to instructions following to install glass.

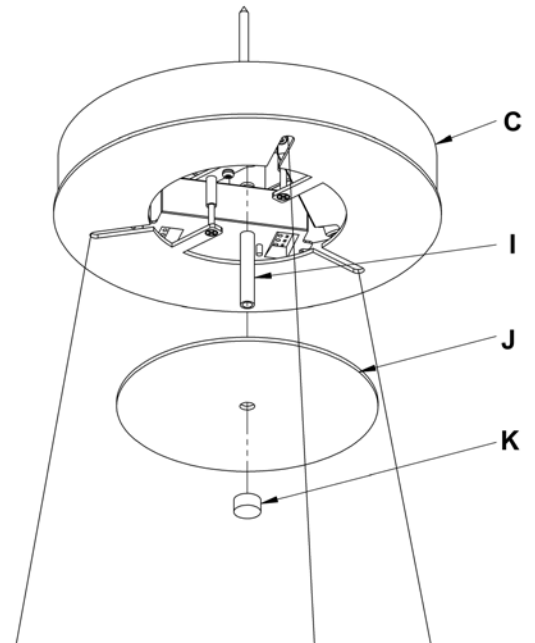


(Figure 3)



(Figure 4)

(continued)



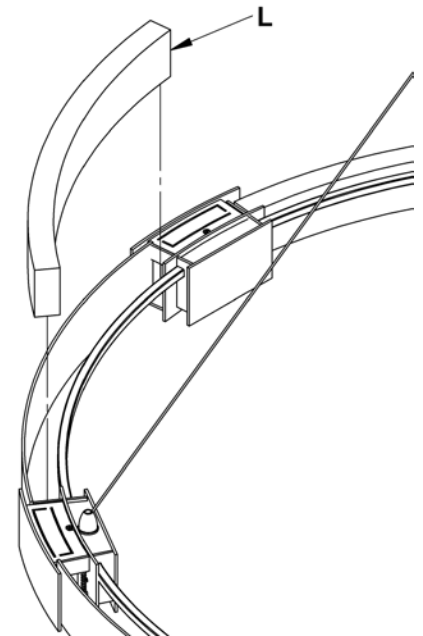
(Figure 5)

## **Install Glass** (Figure 6)

### Component Parts

L Glass (6)

1. Slip glass (L) into slots in fixture between bulb locations.
2. Repeat for all six locations.
3. Restore electricity at the main breaker.



(Figure 6)

*If you need further assistance, or find that you are missing any parts, please contact the dealer from which you purchased this product. We hope you enjoy your fixture!*

\* Hubbardton Forge will not be liable for injury or damage caused by improper installation, lamping or use of this fixture.