

Installation Instructions

For Ondrian Pendant 13-8550 & 13-8552

CAUTION: FAILURE TO INSTALL THIS FIXTURE PROPERLY MAY RESULT IN SERIOUS PERSONAL INJURY OR DEATH AND PROPERTY DAMAGE. We recommend installation by a licensed electrician.

This product must be installed in accordance with applicable installation code(s), by a person familiar with the construction and operation of the product and the hazards involved.*

Caution: Do not exceed maximum wattage noted on fixture. Use only recommended bulbs with fixture.

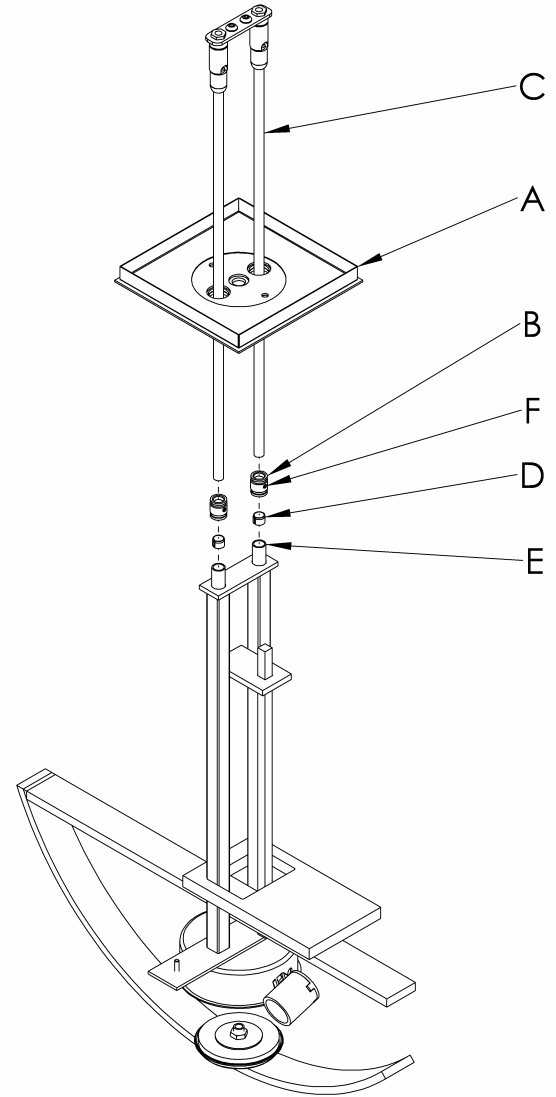
To Assemble Canopy & Pipes (Figure 1 & 2)

Component Parts

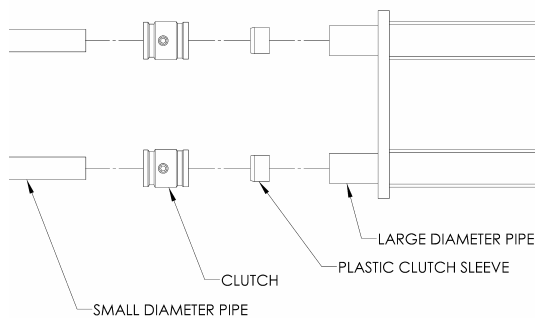
- A Canopy
- B Clutch (2)
- C Canopy Pipe (2)
- D Plastic Clutch Sleeve (2)
- E Fixture Pipe (2)
- F Set Screw (2)

Caution: Be sure power is off at the main breaker box prior to installation.

1. Carefully unpack the fixture from the carton.
2. Thread the wires from the fixture pipe (E) up through the canopy (A), then into and through the canopy pipe (C). **Note: Be sure to include the canopy in this step, or it will not be possible to complete the installation.**
3. Unscrew the clutch (B) from the fixture pipe and slide it across the fixture wires and onto the canopy pipe (C). Follow this with the clutch sleeve (D) so that the clutch sleeve nests in the clutch.
4. Slide the canopy pipe into the fixture pipe as far as necessary to give the total fixture length desired. Be careful not to scratch the pipes and to pull excess wire up through the canopy stem. There must be a minimum of 1-1/2" of inner pipe inside the outer pipe. Tighten the clutch onto the fixture pipe and secure by firmly tightening the set screw (F). **Important:** To ensure full connection strength, be sure the tapered end of the plastic clutch sleeve is oriented toward the clutch when assembled (Figure 2).



(Figure 1)



(Figure 2)

(continued)

Installation Instructions

For Ondrian Pendant 13-8550 & 13-8552

Complete Assembly & Install Fixture (Figure 3)

Component Parts

- A Canopy
- B Clutch (2)
- C Canopy Pipe (2)
- G Crossbar
- H Threaded Stud (2)
- I Hanger Plate
- J Lag Screw (4)
- K 1/4-20 Nut (2)
- L Knurl Ball (2)
- M Cupped Washer
- N Ground Screw

Caution: This fixture must be supported independently of an outlet box.

Caution: Be sure power is off at the main breaker box prior to installation.

1. Using at least two lag screws (J) attach cross bar (G) to a structural member in the ceiling, centering the crossbar over the outlet box. We've supplied lag screws with your fixture; however, different materials and/or construction methods may require different fasteners. If in doubt, contact a qualified electrician. Do not attach crossbar directly to outlet box.
2. Push hanger plate (I) at top of assembled fixture up into electrical box, past the crossbar then turn the hanger plate and drop the threaded studs in the hanger plate into the larger inner holes in the crossbar. Make sure no wires are pinched. Secure with 1/4-20 nuts (K).
3. Using suitable wire connectors (not provided), connect fixture wires to supply wires (white or ribbed side of fixture cord to white supply, black or smooth side of fixture cord to black supply, and bare copper to bare copper or green supply). Ground the crossbar (G) using the green ground screw (N) and cupped washer (M) to secure a pigtail lead to the bracket. Push wires back into outlet box. **Caution: Make sure wire connectors are twisted on securely, and no bare wire is exposed.**
4. Start the threaded studs (H) into the threaded holes in the crossbar to match holes in canopy (A).
5. Slide fixture canopy up over the threaded studs (H) and against ceiling. Secure with the two knurled balls (L).
6. Refer to instructions below to install glass and diffusers.

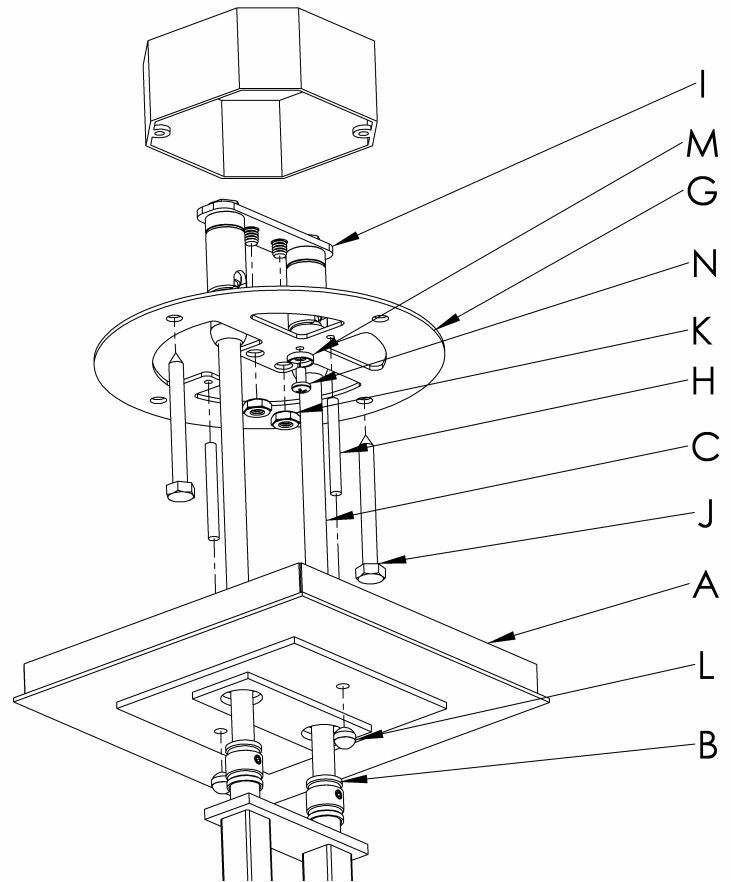


Figure 3

Installation Instructions

For Ondrian Pendant 13-8550 & 13-8552

A92

Page 3 of 3

To Install Glass (Figure 4)

Component Parts

- O Hex Nut
- P Washer
- Q Glass Bowl
- R Cup with Foam Washer
- S Threaded Nipple

1. Remove hex nut (O) and washer (P) from the threaded nipple (S). Cup and foam washer (R) sit loose on nipple (S), but do not require removal.
2. Place glass bowl (Q) over nipple and onto foam washer (R).
3. Place washer (P) over nipple (S) followed by the hex nut (O).
4. Position the glass and secure by hand tightening the hex nut (O) (**do not over tighten**). For the best appearance, the glass should be level with an even gap between the glass and the curved bar on the fixture.
5. Refer to diffuser installation instructions below to complete the installation.

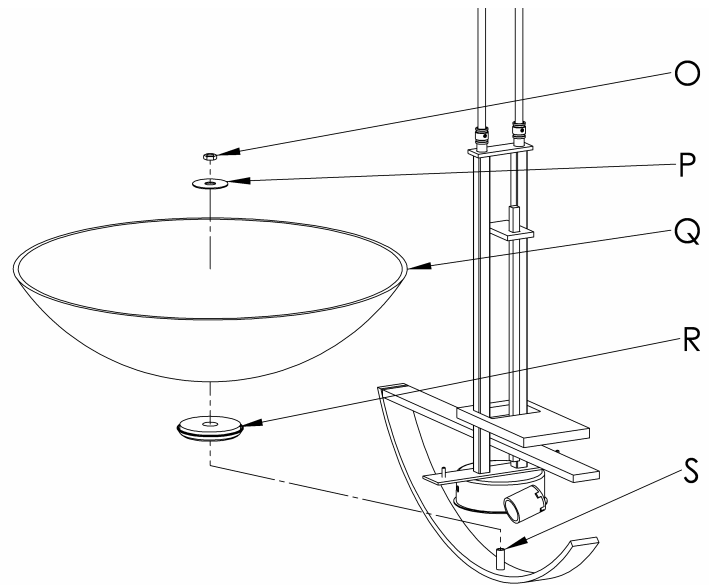


Figure 4

To Install Diffusers (Figure 5)

Component Parts

- T Diffuser Mounting Stud (2)
- U Diffuser Glass (2)
- V Washer (2)
- W Knurled Ball Nuts (2)

1. Install light bulbs before installing diffusers.
2. Place diffuser glass (U) over diffuser mounting stud (T) with flat side of diffuser glass toward center of the fixture.
3. Place washer (V), over diffuser mounting stud (T) and secure with knurled ball nut (W).
4. Repeat for remaining diffuser glass.
5. Restore electricity at the main breaker.

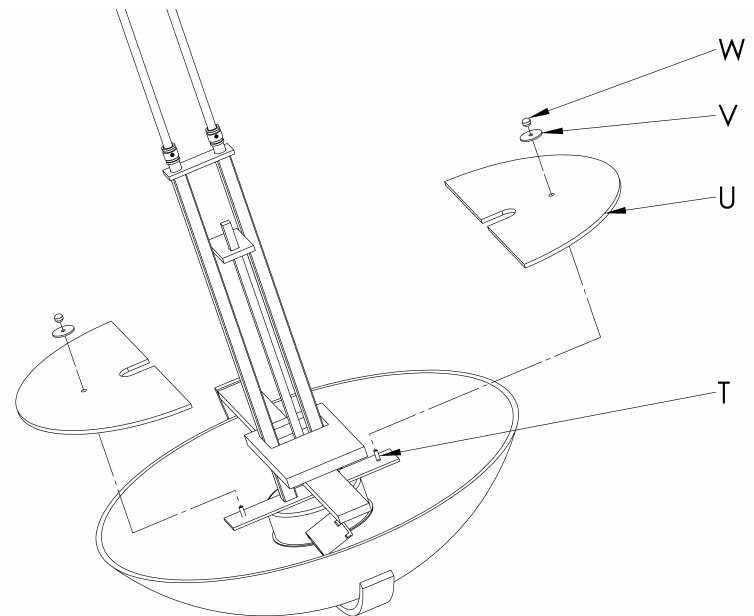


Figure 5

If you need further assistance, or find that you are missing any parts, please contact the dealer from which you purchased this product. We hope you enjoy your fixture!

* Hubbardton Forge will not be liable for injury or damage caused by improper installation, lamping or use of this fixture.