

Assembly & Installation Instructions

A276

Erlenmeyer 4-Light Pendant 13-7720

Page 1 of 3

CAUTION: FAILURE TO INSTALL THIS FIXTURE PROPERLY MAY RESULT IN SERIOUS PERSONAL INJURY OR DEATH AND PROPERTY DAMAGE. We recommend installation by a licensed electrician.

This product must be installed in accordance with applicable installation code(s), by a person familiar with the construction and operation of the product and the hazards involved.*

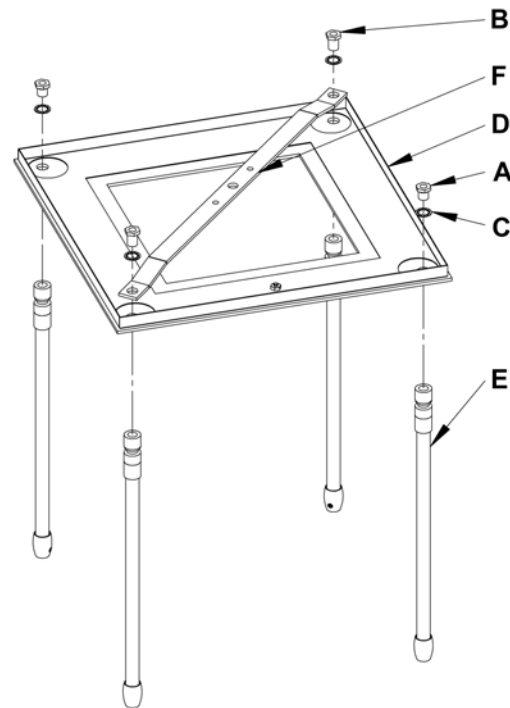
Caution: Do not exceed maximum wattage noted on fixture. Use only recommended bulbs with fixture.

To Assemble Canopy (Figure 1)

Component Parts

- A .38" Hex Nipple (2)
- B .50" Hex Nipple(longer) (2)
- C Lock Washer (4)
- D Canopy
- E Canopy Pipe (4)
- F Ceiling Bracket

1. Carefully unpack canopy from carton.
2. Line up end of canopy pipe (E) with hole in canopy (D).
3. Place hex nipple (A) through lock washer (C), down through holes in canopy (D) and thread into canopy pipe (E). Tighten securely. Repeat twice.
4. Place longer .50" hex nipple (B) through lock washer (C), down through holes in ceiling bracket (F) and canopy (D) thread into canopy pipe (E). Tighten securely. Repeat twice.



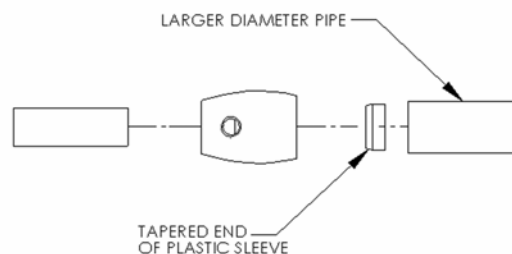
(Figure 1)

To Assemble Fixture (Figures 2 & 3)

Component Parts

- | | |
|--------------------|---------------------|
| D Canopy | H Clutch sleeve (4) |
| E Canopy Pipe (4) | I Clutch (4) |
| G Fixture pipe (4) | J Set Screw (4) |

1. Slip the wires from the fixture pipe (G) into and through the canopy pipe (E) up through the canopy (D).
2. Unscrew the clutch (I) from the canopy pipe (E); slide it across the wires and onto the fixture pipe (G). Follow this with the plastic clutch sleeve (H), oriented so the tapered end of the clutch sleeve nests in the clutch (Figure 2). Slide the canopy pipe (E) as far as necessary to give you the total length of the fixture which you desire. Be careful not to scratch the pipe surfaces and to pull excess wire up through the canopy pipe (E). Screw clutch (I) onto canopy pipe (E). There must be a minimum 1-1/2" of inner pipe inside the outer pipe. Hand-tighten the clutch to temporarily hold this adjustment. The clutch is not securely fastened at this point; do not depend on it to hold the fixture. **Important:** To ensure full connection strength, be sure the tapered end of the plastic clutch sleeve is oriented toward the clutch when assembled and securely tighten set screw (Figure 2). **Stop.** Please see installation instructions on next page.
3. Once the fixture is fastened to the ceiling, tighten the set screw (J) firmly with hex wrench provided. Only after the set screw (J) is tight should you install the glass.



(Figure 2)

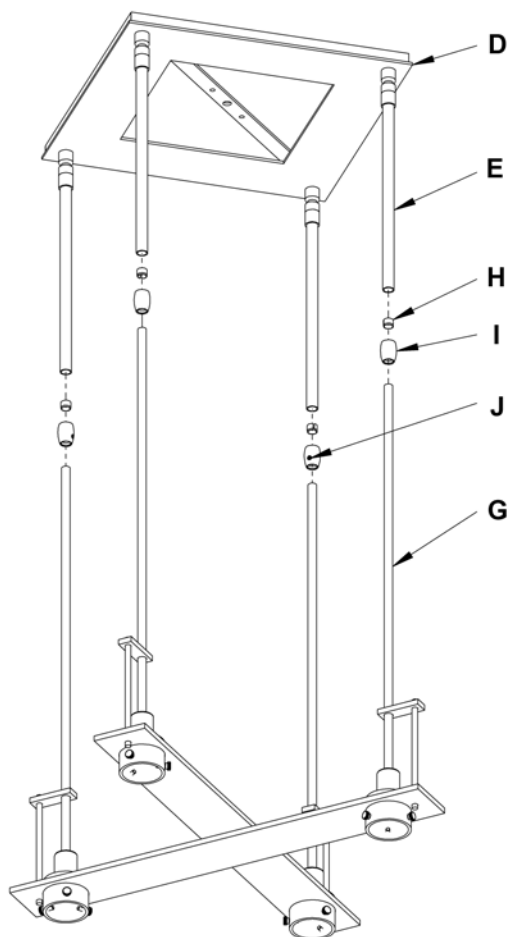
(continued)

Assembly & Installation Instructions

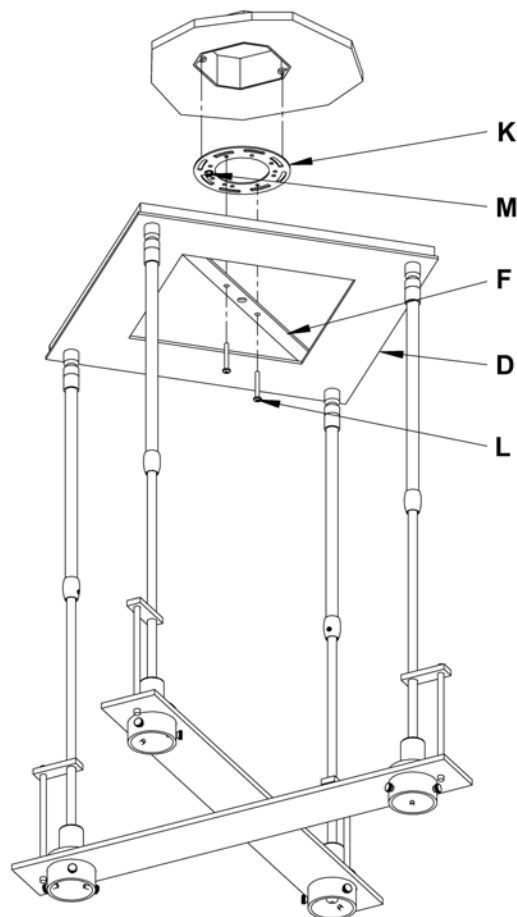
Erlenmeyer 4-Light Pendant 13-7720

A276

Page 2 of 3



(Figure 3)



(Figure 4)

To Install Fixture (Figures 4 & 5)

Component Parts

D Canopy	M Ground screw
F Ceiling Bracket	N Wireway Cover
K Crossbar	O Threaded Tube
L Screws (2)	P Knob

Caution: Be sure power is off at the main breaker box prior to installation.

1. Using two machine screws (not provided), fasten the crossbar (K) to the electric box using outer oval slots to orient fixture to desired hanging position.

Note: A new electric box comes with screws. When replacing a fixture, retain the existing screws for use with the new fixture.

2. Raise canopy (D) to ceiling and align holes in crossbar (K) with holes in the ceiling bracket (F). Thread screws (L) into crossbar to secure fixture to the ceiling. Move ground screw (M) to another available threaded hole if necessary.

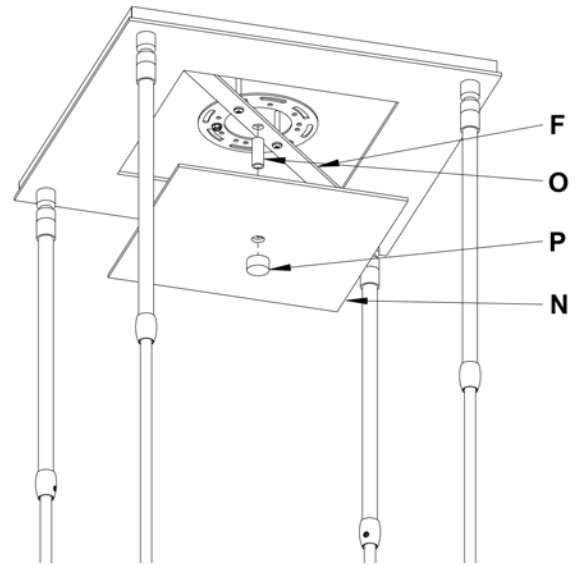
Assembly & Installation Instructions

A276

Erlenmeyer 4-Light Pendant 13-7720

Page 3 of 3

- Using suitable wire connectors (not provided) connect fixture wires to supply (white to white and black to black). Run a pigtail lead from crossbar ground screw (M) to the junction box and connect all ground wires (bare copper or green to bare copper or green). **Caution:** Make sure wire connectors are twisted on securely, and no bare wire is exposed. Push wires back into outlet box.
- Install threaded tube (O) into center hole of ceiling bracket (F).
- Install the wireway cover (N) and secure with knob (P).



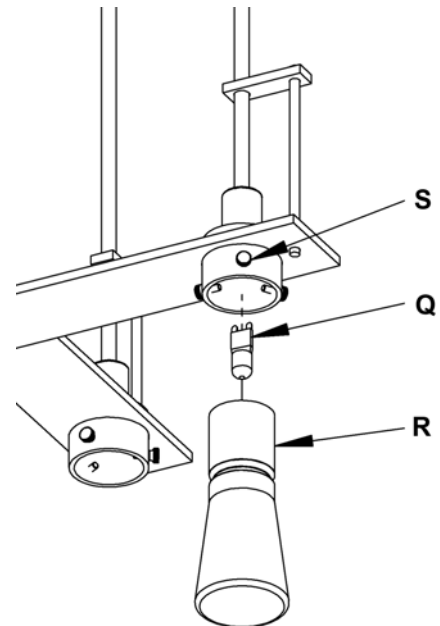
(Figure 5)

To Install Glass (Figure 6)

Component Parts

- Q Bulb
- R Glass
- S Thumb Screw

- Install bulb (Q). *Be careful not to touch bulb with bare hands; oil from the hands will dramatically reduce bulb life.*
- Loosen the three thumb screws (S). It is not necessary to remove them from the fixture.
- Raise glass (R) until groove is aligned with thumb screws (S).
- Tighten the three thumb screws (S) equal amounts until snug with glass (R). *Be careful not to over tighten.*
- Repeat steps 1 thru 4 for all four lights.
- Restore electricity at main breaker.



(Figure 6)

If you need further assistance, or find that you are missing any parts, please contact the dealer from which you purchased this product. We hope you enjoy your fixture!

* Hubbardton Forge will not be liable for injury or damage caused by improper installation, lamping or use of this fixture.