

# Assembly & Installation Instructions

**A216**

For Ellipse Large Five Light Pendant 13-7527 & 13-7527E

Page 1 of 3

**CAUTION: FAILURE TO INSTALL THIS FIXTURE PROPERLY MAY RESULT IN SERIOUS PERSONAL INJURY OR DEATH AND PROPERTY DAMAGE. We recommend installation by a licensed electrician.**

This product must be installed in accordance with applicable installation code(s), by a person familiar with the construction and operation of the product and the hazards involved.\*

**Caution:** Do not exceed maximum wattage noted on fixture. Use only recommended bulbs with fixture.

## Install Fixture Pipes (Figure 1)

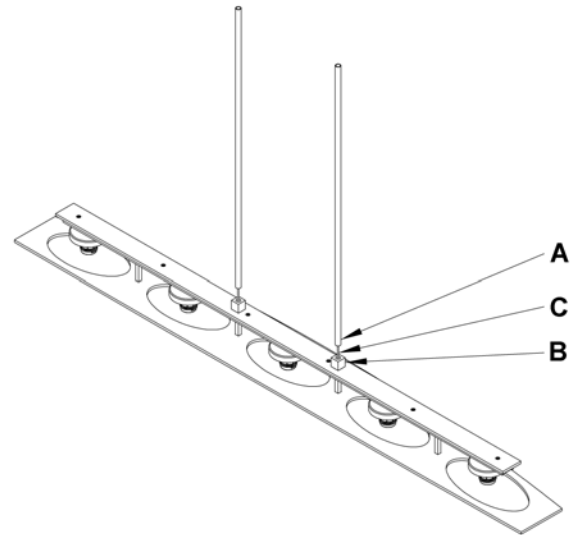
### Component Parts

- A Fixture Pipe (2)
- B Fixture Coupling (2)
- C Support Cable

1. Carefully unpack the fixture from the carton.
2. Carefully thread fixture pipe (A), threaded end first, over fixture wires and support cable (C).
3. Apply a drop of the supplied thread locking compound to the internal threads of fixture coupling (B) and screw pipe into fixture, being careful not to twist or pinch the wires.

**Note:** Application of the thread locking compound is necessary to prevent the stem from loosening during regular maintenance and cleaning of the fixture. Be certain to apply the compound.

4. See instructions following to complete the installation.



(Figure 1)

## Install Canopy Pipes (Figure 2)

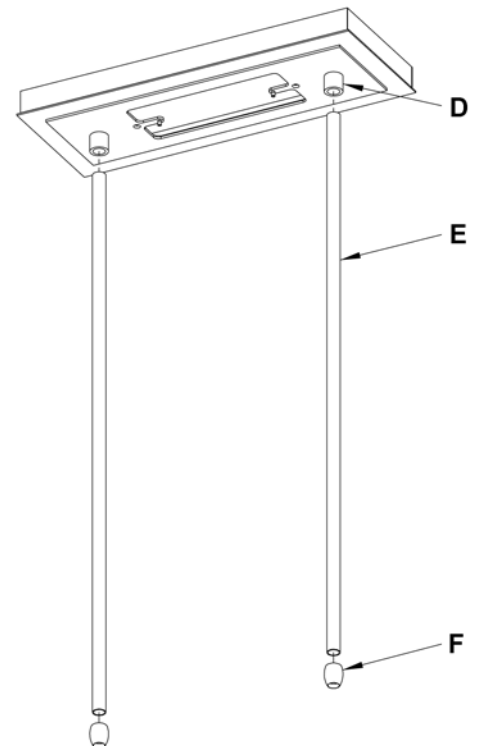
### Component Parts

- D Canopy Coupling (2)
- E Canopy Pipe (2)
- F Decorative Caps (2)

1. Apply a drop of the supplied thread locking compound to the internal threads of canopy coupling (D) and screw canopy pipe (E) into coupling.

**Note:** Application of the thread locking compound is necessary to prevent the stem from loosening during regular maintenance and cleaning of the fixture. Be certain to apply the compound.

2. Thread decorative caps (F) to bottom of canopy pipes (E).
3. See Figure 6. Remove barrel knobs (O) and wireway cover (N) from canopy. Save for later use.
4. See instructions following to complete the installation.



(Figure 2)

(continued)

# Assembly & Installation Instructions

For Ellipse Large Five Light Pendant 13-7527 & 13-7527E

**A216**

Page 2 of 3

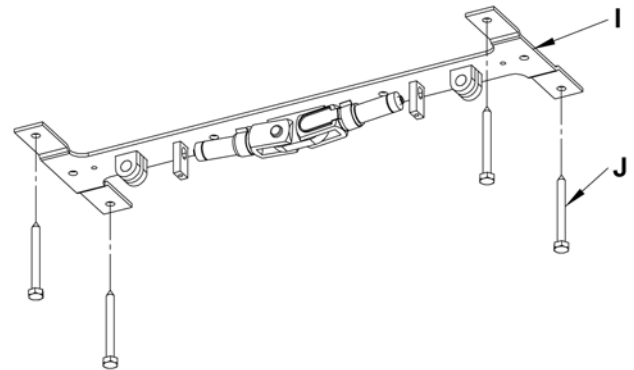
## To Install to Ceiling (Figures 3 thru 6)

### Component Parts

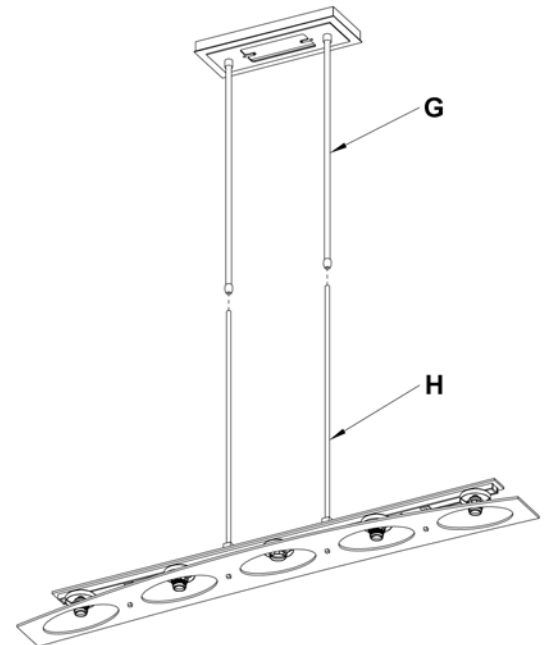
C	Support Cable	K	Cable Gripper (2)	P	Ground Screw
G	Canopy Assembly	L	Safety Nut (2)	Q	Cupped Washer
H	Fixture Assembly	M	Flat Head Screws (2)		
I	Ceiling Bracket	N	Wireway Cover		
J	Lag Screws (4)	O	Barrel Knobs (2)		

**Caution: Be sure power is off at the main breaker box prior to installation.**

1. Using four lag screws (J) attach ceiling bracket (I) to a structural member in the ceiling, centering the crossbar over the outlet box. We've supplied lag screws with your fixture; however, different materials and/or construction methods may require different fasteners. If in doubt, contact a qualified electrician. Do not attach crossbar directly to outlet box (Figure 3).
2. Thread wires and support cable (C) from the fixture assembly (H) through the canopy assembly (G) (Figure 4).
3. Loosen both safety nuts (L) on cable grippers (K). It is not necessary to completely remove them (Figure 5).
4. Raise fixture and push support cables (C) into cable grippers threading them through ceiling bracket (I) as shown in figure 5 until cables are tight and have no slack. Push cables through grippers until desired fixture height is accomplished.
5. Raise canopy assembly (G) to ceiling making sure the fixture pipes and canopy pipes overlap. Fasten to ceiling bracket (I) with flat head screws (M).
6. Once support cable is at the correct height, excess cable behind the gripper can be cut off.
7. Tighten safety nuts (L).
8. Using suitable wire connectors (not provided) connect fixture wires to supply (white to white and black to black, and bare copper to bare copper or green supply). Ground the ceiling bracket (I) using the green ground screw (P) and cupped washer (Q) to secure a pigtail lead to the bracket. Push wires back into outlet box.  
*Caution: Make sure wire connectors are twisted on securely, and no bare wire is exposed.*
9. Install the wireway cover (N) and secure with barrel knobs (O) (Figure 6).
10. Refer to instructions following to install glass.



(Figure 3)



(Figure 4)

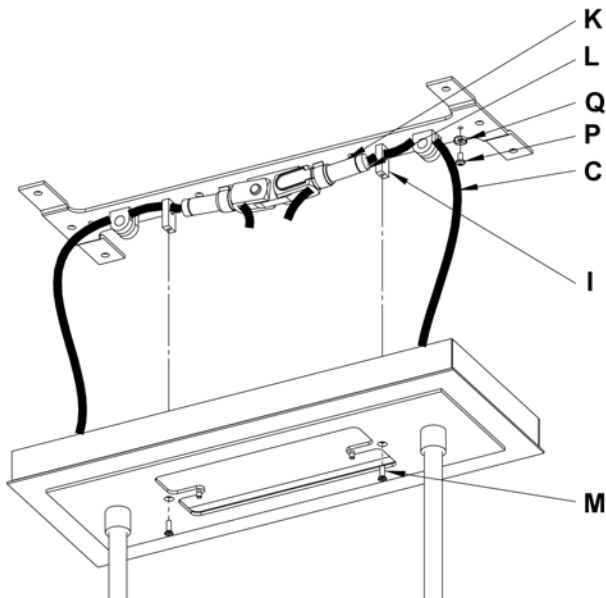
(continued)

# Assembly & Installation Instructions

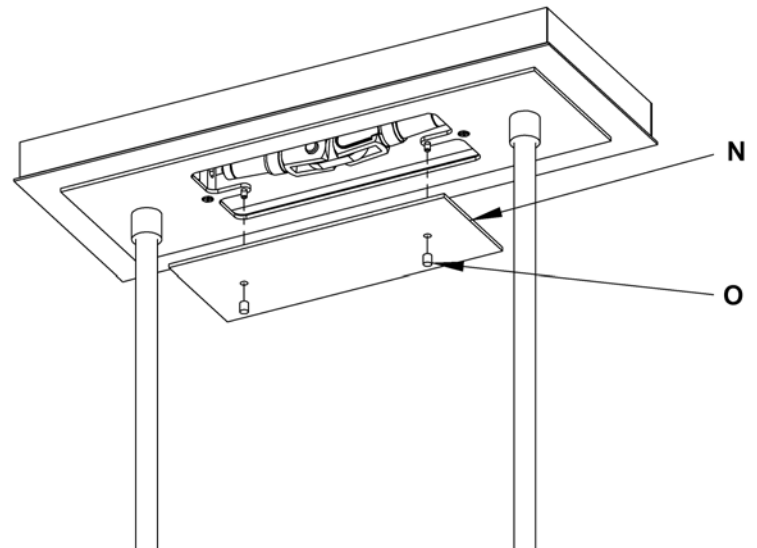
For Ellipse Large Five Light Pendant 13-7527 & 13-7527E

**A216**

Page 3 of 3



(Figure 5)



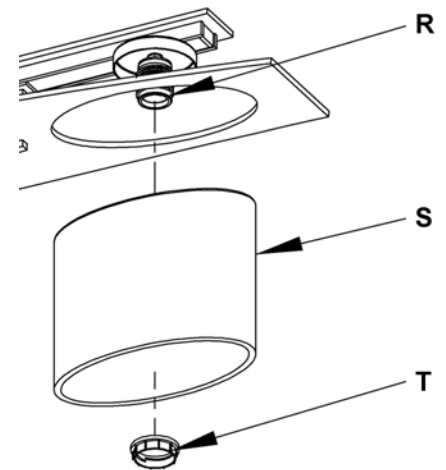
(Figure 6)

## **To Install Glass** (Figure 7)

### Component Parts

- R Socket (5)
- S Glass (5)
- T Retaining Ring (5)

1. Slip glass (S) over socket (R).
2. Thread retaining ring (T) onto socket until it rests on inside of glass (S). Do not over tighten.
3. Install light bulbs. "E" Version bulbs are included.
4. Restore electricity at main breaker.



(Figure 7)

*If you need further assistance, or find that you are missing any parts, please contact the dealer from which you purchased this product. We hope you enjoy your fixture!*

\* Hubbardton Forge will not be liable for injury or damage caused by improper installation, lamping or use of this fixture.