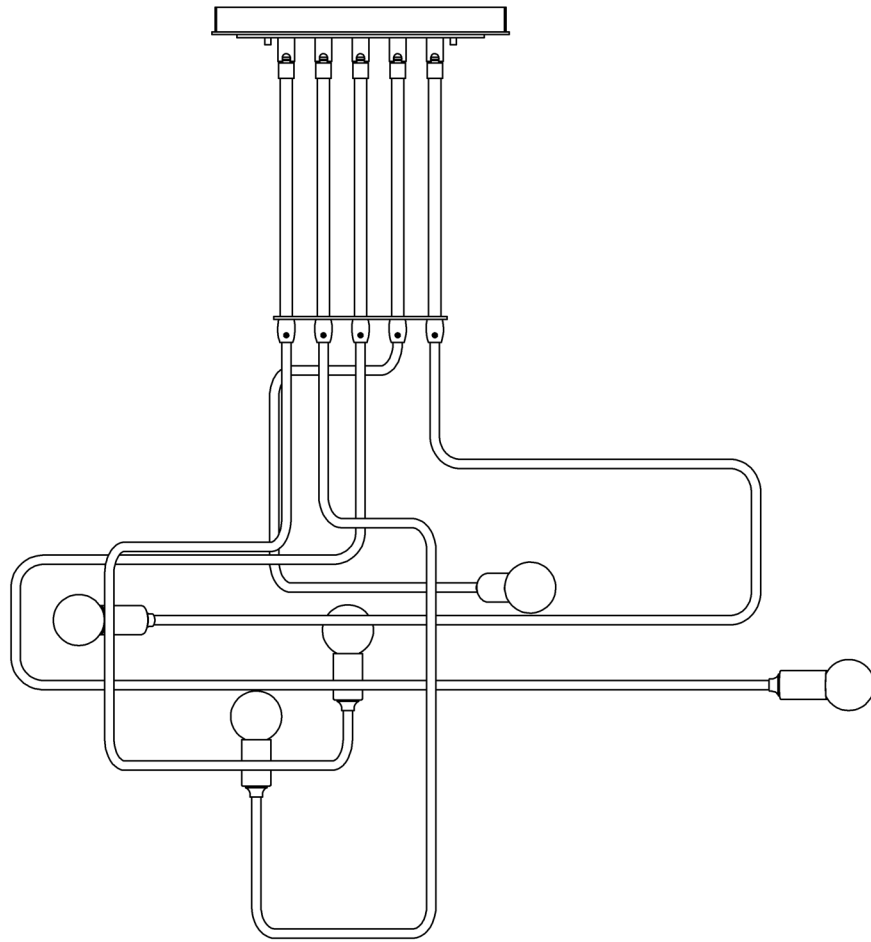


Assembly & Installation Instructions

Metro Pendant 136370

A456



vermont
modern
BY HUBBARDTON FORGE

Castleton, Vermont USA | VERMONTMODERN.COM

36461 Rev A

Assembly & Installation Instructions

A456

Metro Pendant 136370

Component Parts

- A Mounting Plate
- B Anchors (4)
- C #10 Screws (4)
- D Fixture Stems (5)
- E Spacer Plate
- F Canopy
- G Canopy Pipe (5)
- H Clutch (5)
- I Plastic Sleeve (5)
- J Bent Bracket
- K Set Screw (5)
- L Hex Nut (5)
- M Lockwashers (5)
- N Swivel (5)
- O Ground Screw
- P Cupped Washer
- Q Threaded Stud on Bent Bracket (2)
- R Barrel Knob (2)
- S Socket
- T 8-32 Hex Nuts (2)
- U Threaded Studs on Mounting Plate (2)
- V Connector (3)

Stems:

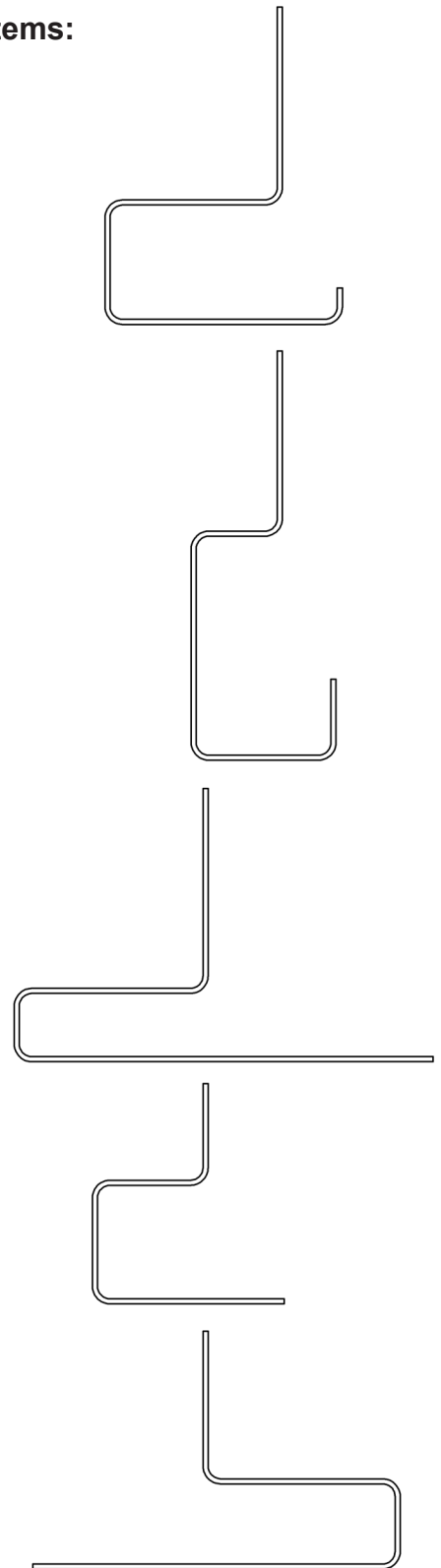
STEM 1

STEM 2

STEM 3

STEM 4

STEM 5



Assembly & Installation Instructions

Metro Pendant 136370

A456

CAUTION: FAILURE TO INSTALL THIS FIXTURE PROPERLY MAY RESULT IN SERIOUS PERSONAL INJURY OR DEATH AND PROPERTY DAMAGE. We recommend installation by a licensed electrician. This product must be installed in accordance with applicable installation code(s), by a person familiar with the construction and operation of the product and the hazards involved.*

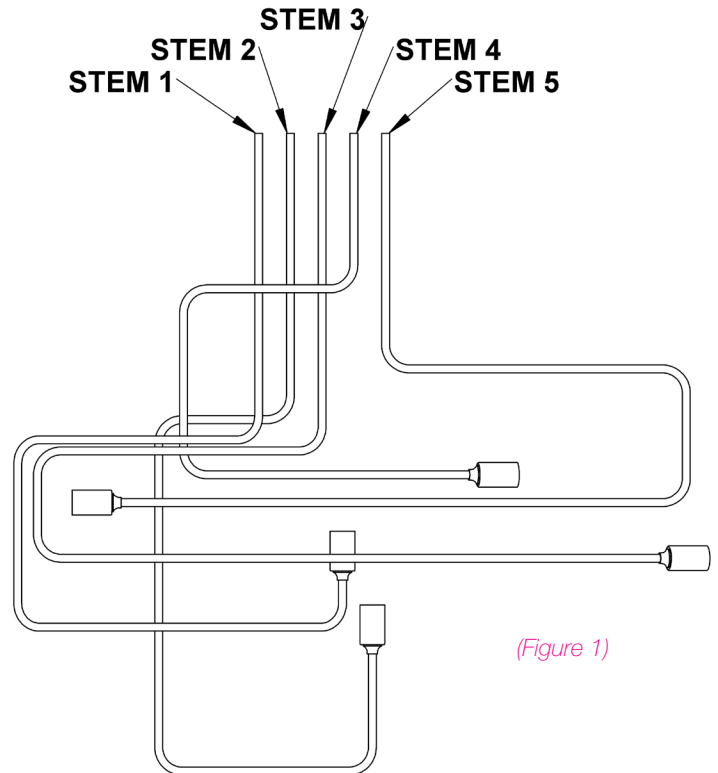
Caution: Do not exceed maximum wattage noted on fixture. Use only recommended bulbs with fixture.

Please Note: After installation extra hardware and accessories are possible due to our kits are used on multiple products and options.

To Install Fixture (Figures 1 & 2)

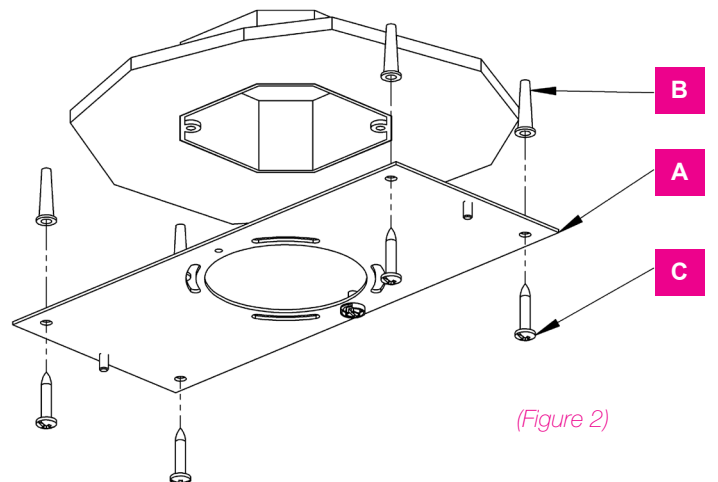
CAUTION: BE SURE POWER IS OFF AT THE MAIN BREAKER BOX PRIOR TO INSTALLATION.

1. Carefully unpack the fixture from the carton.
2. Using Figure 1, arrange stems on flat surface. Be sure stems are oriented and layered as shown in figure 1.
3. Place the mounting plate (A) over the electrical box. With a pencil, mark the location of all mounting holes on the ceiling.
4. Drill 1/4" holes in the locations marked on the ceiling. Place the tapered end of the anchors (B) into the holes and gently tap them flush to the ceiling using a light weight hammer.
5. Thread the wires in the electrical box through the hole in the mounting plate (A) while moving the plate into position.
6. Using two machine screws (not provided), fasten the mounting plate (A) to the electric box with threaded stud pointing downward (Figure 2).
7. Using the 1" #10 screws (C), screw the mounting plate (A) securely to the ceiling. Be careful not to over-tighten or strip the anchors (B) (Figure 2).

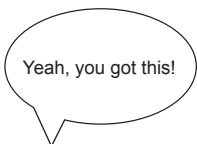


(Figure 1)

Note: A new electric box comes with screws. When replacing a fixture, retain the existing screws for use with the new fixture.



(Figure 2)



vermont
modern
BY HUBBARDTON FORGE

Castleton, Vermont USA | VERMONTMODERN.COM

CONTINUED

36461 Rev A

Assembly & Installation Instructions

Metro Pendant 136370

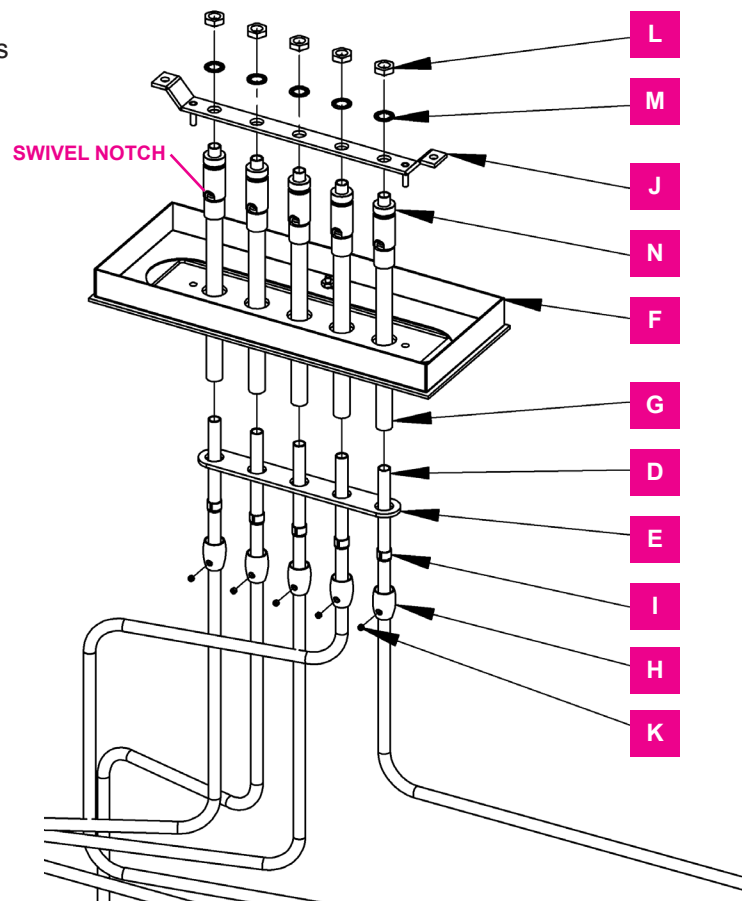
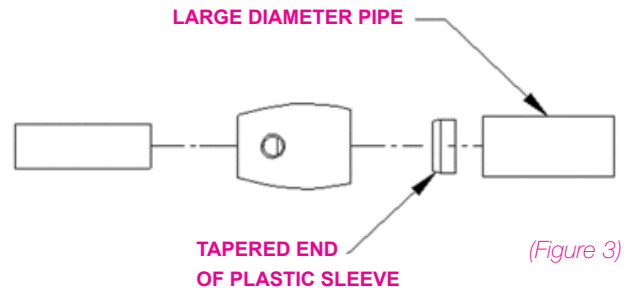
A456

CAUTION: FAILURE TO INSTALL THIS FIXTURE PROPERLY MAY RESULT IN SERIOUS PERSONAL INJURY OR DEATH AND PROPERTY DAMAGE. We recommend installation by a licensed electrician. This product must be installed in accordance with applicable installation code(s), by a person familiar with the construction and operation of the product and the hazards involved.*

Caution: Do not exceed maximum wattage noted on fixture. Use only recommended bulbs with fixture.

To Install Fixture (Figures 3 & 4) continued

1. Locate the canopy pipes (G). They will have a clutch (H) on one end and a swivel (N) on the other end.
2. Unscrew the clutch (H) from the canopy pipe (G); slide it over the wires and onto the fixture stem (D). Follow this with the plastic sleeve (I), oriented so the tapered end nests in the clutch (H) (Figure 3)
3. Repeat for remaining fixture stems (D).
4. Line up the spacer plate (E) with the fixture stems (D). Run wires through holes in spacer plate (E) and slide plate onto fixture stems (D).
5. Twist wire ends together then run wires from fixture stems (D) through canopy pipes (G). Spin canopy pipe (G) to help wires pass through swivel (N).
6. Slide canopy (F) over canopy pipes (G).
7. Align bent bracket (J) with studs pointed toward canopy pipes (G). Run the fixture wires up through holes in bent bracket (J).
8. Slip nipple in end of swivel (N) up through holes in bent bracket (J) and secure with lock washer (M) and hex nut (L). Be sure to align notches in swivel to all be facing the same direction.
9. Slide the canopy pipe (G) over the fixture stem (D) as far as necessary to give you the total length of the fixture which you desire. It may be necessary to loosen the set screw (K) in the clutch (H). Be careful not to scratch the pipe surface and to pull excess wire up through the canopy pipe (G). There must be a minimum 1-1/2" of inner pipe inside the outer pipe. (Figure 4).
10. Slide spacer plate (E) up onto canopy pipes (G).
11. Thread clutches (H) onto canopy pipes (G) and tighten to temporarily hold alignment. The clutch is not securely fastened at this point; do not depend on it to hold the fixture.



If you need further assistance, or find that you are missing any parts, please contact the dealer from which you purchased this product. We hope you enjoy your fixture! * Vermont Modern / Hubbardton Forge will not be liable for injury or damage caused by improper installation, lamping or use of this fixture.

Castleton, Vermont USA | VERMONTMODERN.COM

36461 Rev A

Assembly & Installation Instructions

Metro Pendant 136370

CAUTION: FAILURE TO INSTALL THIS FIXTURE PROPERLY MAY RESULT IN SERIOUS PERSONAL INJURY OR DEATH AND PROPERTY DAMAGE. We recommend installation by a licensed electrician. This product must be installed in accordance with applicable installation code(s), by a person familiar with the construction and operation of the product and the hazards involved.*

Caution: Do not exceed maximum wattage noted on fixture. Use only recommended bulbs with fixture.

To Attach to Ceiling *Figure 5 & 6*

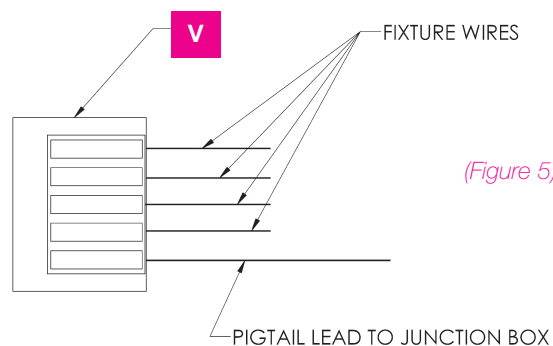
1. Raise bent bracket (J) and fixture assembly towards the ceiling. Slide bracket (J) over studs on mounting plate (A) and secure with 8-32 hex nuts (T).
2. Connect 4 black fixture wires to a wire connector (V) (provided). Run a black lead from the wire connector to the junction box. (Figure 5)

Note: Wires should be stripped 3/8" maximum

3. Connect 4 white fixture wires to a wire connector (V) (provided). Run a white lead from the wire connector to the junction box. Repeat steps with ground wires and remaining connector (V). (Figure 5)

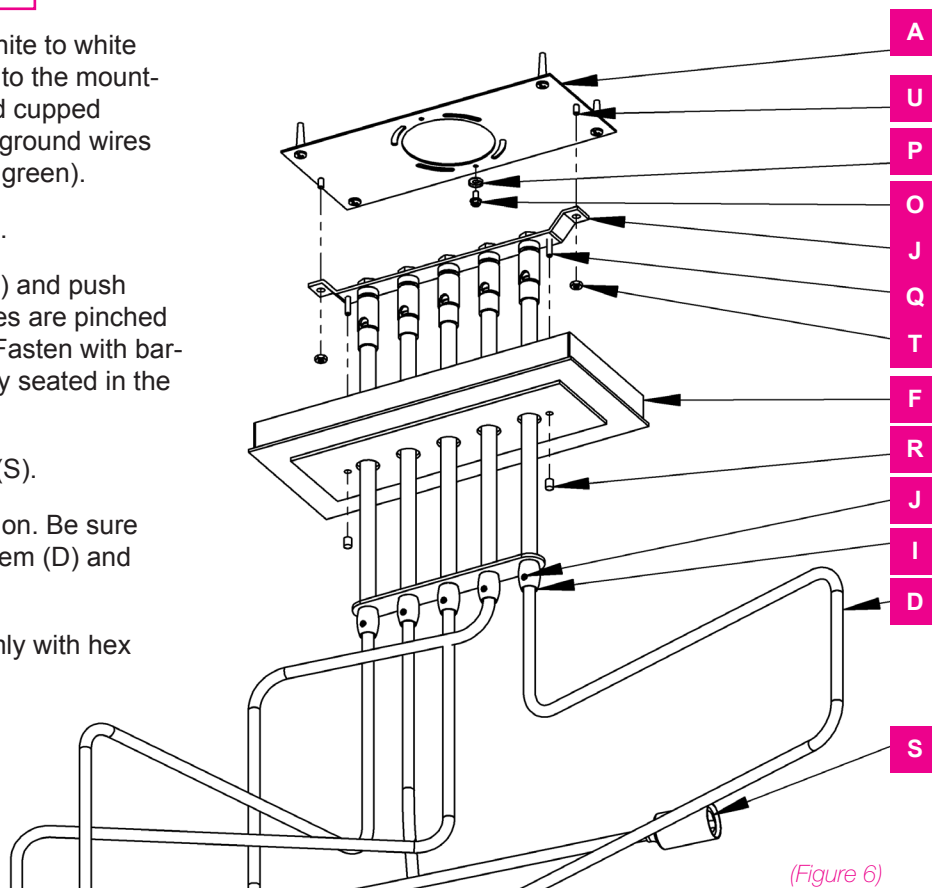
Note: Wires should be stripped 3/8" maximum

4. Connect fixture wires to supply wires (white to white and black to black). Attach a pigtail lead to the mounting plate (A) using ground screw (O) and cupped washer (P) found in kit bag. Connect all ground wires (bare copper or green to bare copper or green).
5. Push connections back into junction box.
6. Slide canopy (F) over threaded studs (Q) and push firmly to ceiling, making sure that no wires are pinched between fixture canopy (F) and ceiling. Fasten with barrel knobs (R). Be sure studs (Q) are fully seated in the barrel knobs (R).
7. Install bulbs (not provided) into sockets (S).
8. Rotate fixture stems (D) to desired location. Be sure there is atleast 1" between any fixture stem (D) and bulb when assembly is complete.
9. Tighten the set screw (J) in clutch (I) firmly with hex wrench provided.
10. Restore electricity at main breaker.



(Figure 5)

CAUTION: MAKE SURE WIRE CONNECTORS ARE TWISTED ON SECURELY, AND NO BARE WIRE IS EXPOSED.



(Figure 6)



If you need further assistance, or find that you are missing any parts, please contact the dealer from which you purchased this product. We hope you enjoy your fixture! * Vermont Modern / Hubbardton Forge will not be liable for injury or damage caused by improper installation, lamping or use of this fixture.

Castleton, Vermont USA | VERMONTMODERN.COM

36461 Rev A