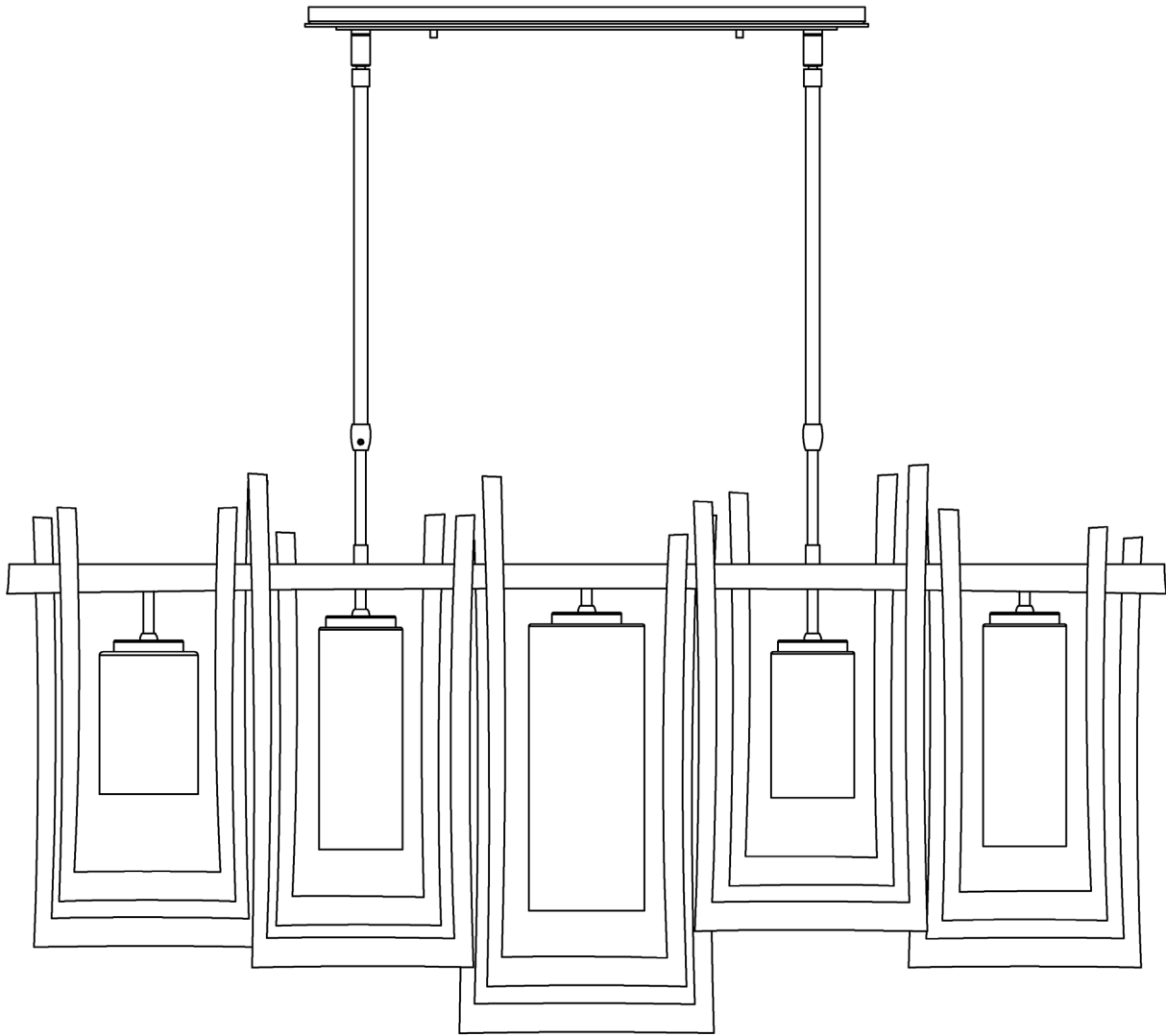


ASSEMBLY & INSTALLATION INSTRUCTIONS

A517

Chime Pendant 134530



HUBBARDTON FORGE.

MODERN AMERICAN BLACKSMITHS | FINE, HAND CRAFTED LIGHTING
CASTLETON, VERMONT USA | HUBBARDTONFORGE.COM

39846

Component Parts

- A Fixture**
- B Fixture Pipe (2)**
- C Fixture Coupling (2)**
- D Socket Cup (5)**
- E Plastic Sleeve (2)**
- F Set Screw (2)**
- G Canopy Pipe (2)**
- H Clutch (2)**
- I Mounting Bracket**
- J Hex Nipple (2)**
- K Lockwasher (2)**
- L #10 Screws (8)**
- M Canopy**
- N Safety Cable**
- O Safety Cable Screw**
- P Ground Screw**
- Q Cupped Washer**
- R Knob(2)**
- S Swivel (2)**
- T Socket (5)**
- U Glass (5)**
- V Spacer Assembly (5)**
- W Retaining Ring (5)**
- X Retaining Ring Tool**

ASSEMBLY & INSTALLATION INSTRUCTIONS

A517

Chime Pendant 134530

CAUTION: FAILURE TO INSTALL THIS FIXTURE PROPERLY MAY RESULT IN SERIOUS PERSONAL INJURY OR DEATH AND PROPERTY DAMAGE. We recommend installation by a licensed electrician. This product must be installed in accordance with applicable installation code(s), by a person familiar with the construction and operation of the product and the hazards involved.*

Caution: Do not exceed maximum wattage noted on fixture. Use only recommended bulbs with fixture.

Please Note: After installation extra hardware and accessories are possible; our kits are used on multiple products and options.

Prepare Fixture - Figures 1 thru 3 (on next page)

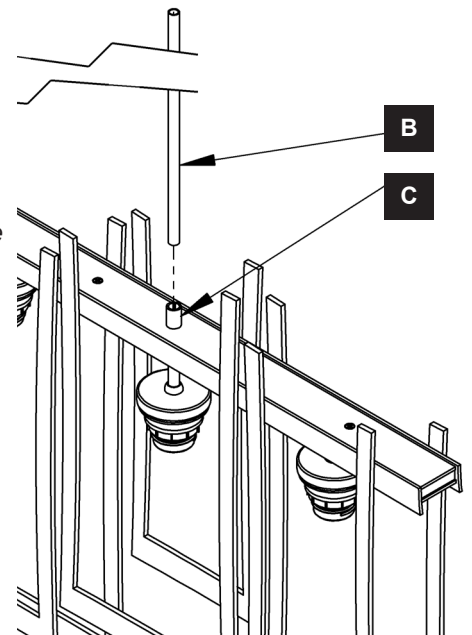
CAUTION: BE SURE POWER IS OFF AT THE MAIN BREAKER BOX PRIOR TO INSTALLATION.

1. Carefully unpack the fixture (A) from the carton.
2. Locate fixture pipe (B) and slip the end of the pipe with the shorter threads over wires.
3. Apply a drop of the supplied thread locking compound to the internal threads of the fixture coupling (C) and screw fixture pipe (B) into fixture coupling (C), being careful not to twist the wires.
Note: Application of the thread locking compound is necessary to prevent the stem from loosening during regular maintenance and cleaning of the fixture. Be certain to apply the compound.

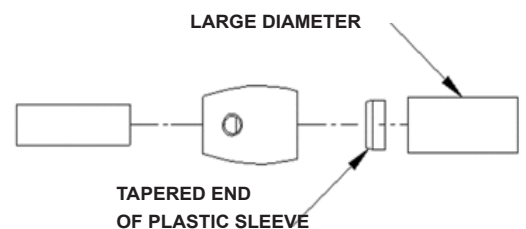
4. Repeat for remaining fixture pipe (B).
5. Slide canopy (M) over fixture pipes (B) until it rests on fixture (A).
6. Unscrew the hex nipple (J) from the swivel (S) and remove it and the lock washer (K).
7. Insert threaded end of hex nipple (J) down through the lock washer (K) and mounting bracket (I). Screw into the swivel (S).
8. Tighten hex nipple (J) securely being sure the notches in the swivels (S) are aligned.
Note: If installing on a sloped ceiling, make certain that the notches in the swivel are oriented toward the lower side of the slope.

9. Slide the wires from the fixture pipe (B) through the canopy pipe (G), swivel (S) and hex nipples (J).
10. Unscrew the clutch (H) from canopy pipe (G); slide it across the wires and onto the fixture pipe (B). Follow this with the plastic sleeve (E), oriented so the tapered end nests in the clutch (H) (Figure 2). It may be necessary to loosen the set screw (F) in the clutch (H).

11. Repeat steps 5-8 with remaining fixture and canopy pipe.
12. Slide the canopy pipes (G) over the fixture pipes (B) as far as necessary to give you the total length of the fixture which you desire. Be careful not to scratch the pipe surface and to pull excess wire up through the canopy pipe (G). There must be a minimum 1-1/2" of inner pipe inside the outer pipe.
13. Tighten the set screws (F) in clutches (H) firmly with hex wrench provided.



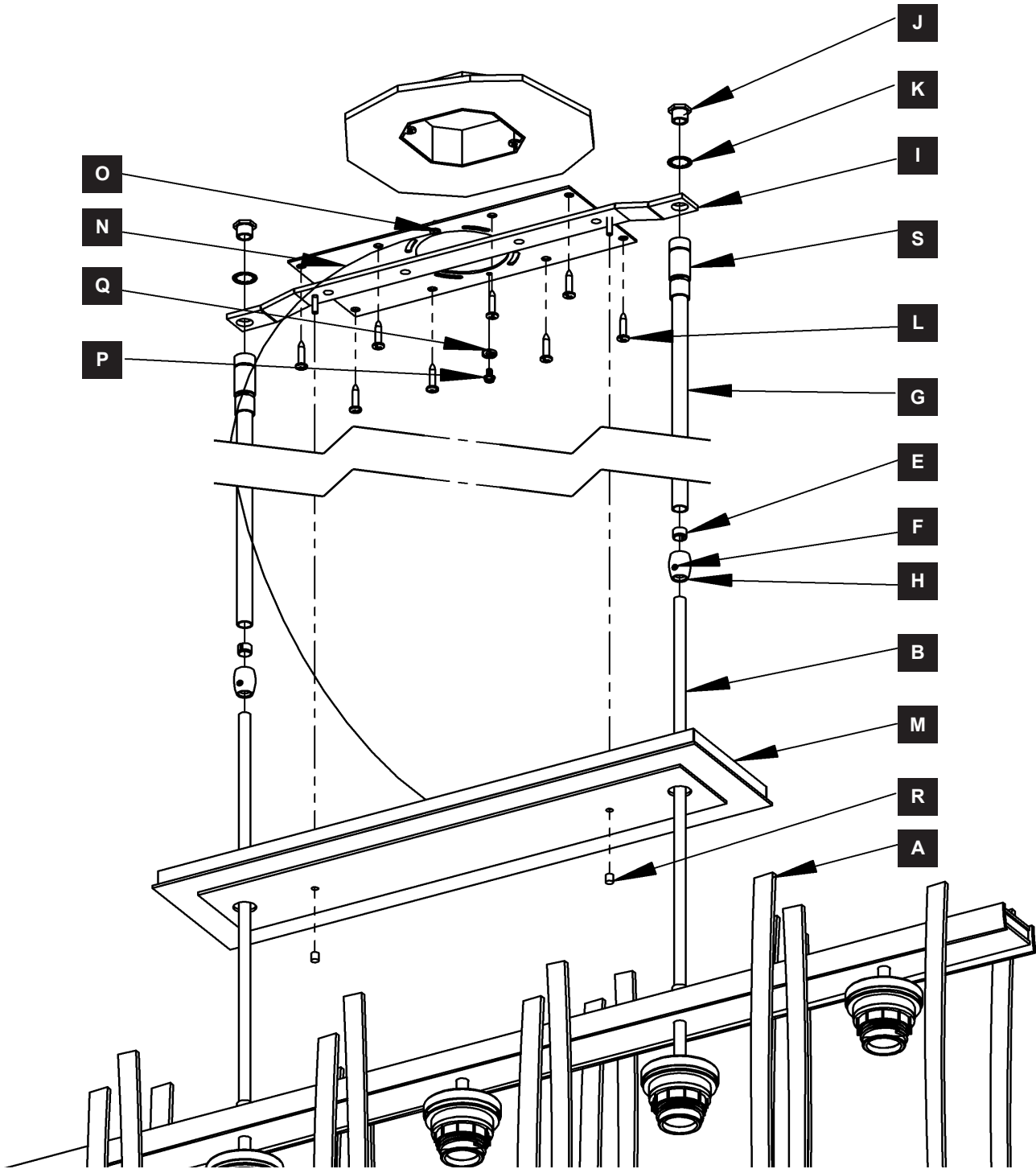
(Figure 1)



(Figure 2)

Chime Pendant 134530

Assemble Fixture (Figure 3)



(Figure 3)

Chime Pendant 134530

Install Fixture *(Figure 3 on previous page)*

1. Place mounting bracket (I) over electrical box. Using #10 screws (L), secure mounting bracket to ceiling.
Important: The mounting bracket must be secured to solidly mounted framing members. If in doubt, contact a qualified electrician.
2. Raise canopy (M) close to ceiling. Attach safety cable (N) to the mounting bracket (I) using safety cable screw (O) found in kit bag.

CAUTION: The cable is intended to temporarily suspend canopy while wiring connections are completed.

3. Using suitable wire connectors (not provided) connect fixture wires to the supply wire (white to white and black to black). Attach a pigtail lead to the mounting bracket (I) using ground screw (P) and cupped washer (Q) found in kit bag. Connect all ground wires. Push wires back into box.

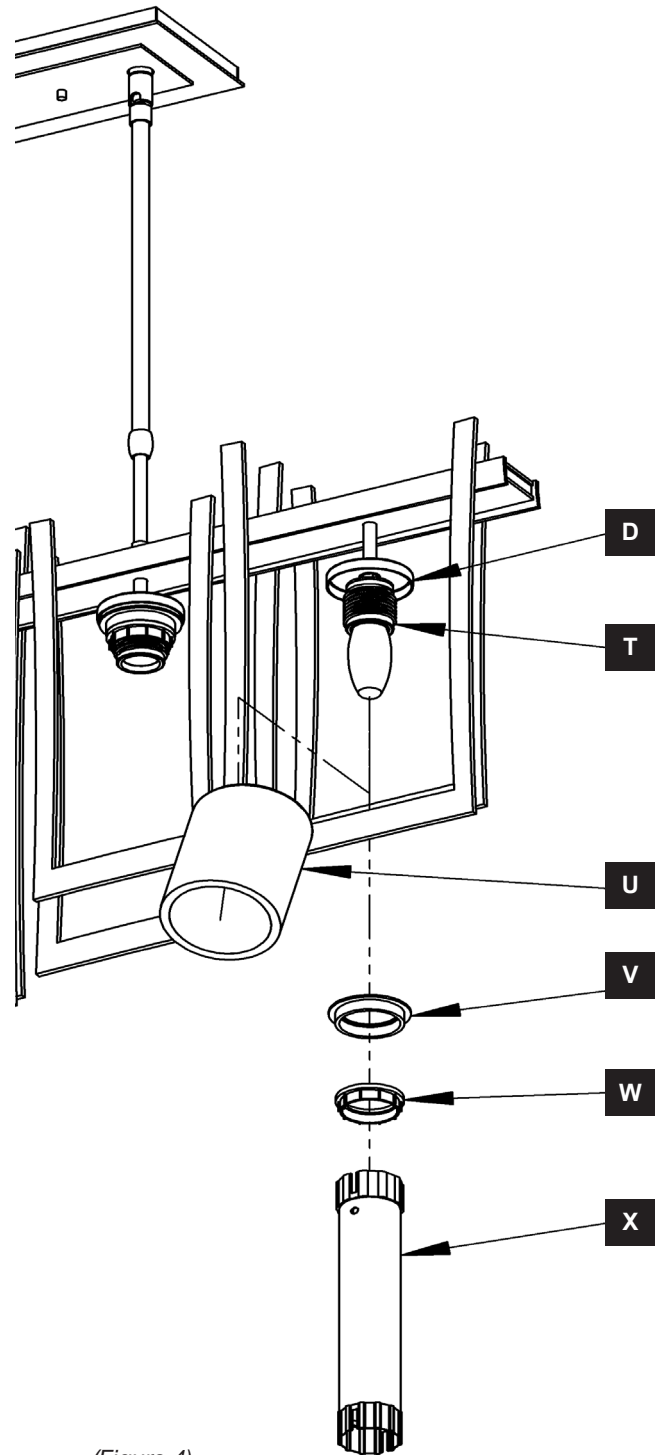
CAUTION: MAKE SURE WIRE CONNECTORS ARE TWISTED ON SECURELY, AND NO BARE WIRE IS EXPOSED.

4. Raise canopy (M) and push firmly to ceiling, making sure that no wires are pinched between canopy and ceiling. Secure the canopy by threading knobs (R) onto studs in mounting bracket (I).
5. Once the fixture is fastened to the ceiling, make sure clutch set screws (F) are tightened with hex wrench provided. Only after the set screws (F) are tight is the fixture (A) fully supported.
6. See 'To Install Glass' to complete installation.

Chime Pendant 134530

To Install Glass (Figure 4)

1. Remove retaining rings (W) and spacer assemblies (V) from sockets (T). Parts are shipped installed.
2. Install bulbs - not provided.
Note: If using BT-15 bulbs, install bulbs after glass has been installed.
3. Angle glass (U) and slide over socket (T).
4. Place retaining ring (W) into retaining ring tool (X).
5. Place spacer assembly (V) on top of retaining ring (W).
6. Slide through plates on fixture and into glass (U).
7. Slip spacer assembly (V) over socket (T) and thread retaining ring (W) onto socket (T) until glass (U) is snug against socket cup (D).
8. Repeat for other pieces of glass (U). Use photo on front page for location of different sizes of glass (U).
9. Restore electricity at main breaker.



(Figure 4)

If you need further assistance, or find that you are missing any parts, please contact the dealer from which you purchased this product. We hope you enjoy your fixture!

*** Hubbardton Forge will not be liable for injury or damage caused by improper installation, lamping or use of this fixture.**