

Assembly & Installation Instructions

CAUTION: FAILURE TO INSTALL THIS FIXTURE PROPERLY MAY RESULT IN SERIOUS PERSONAL INJURY OR DEATH AND PROPERTY DAMAGE. We recommend installation by a licensed electrician.

This product must be installed in accordance with applicable installation code(s), by a person familiar with the construction and operation of the product and the hazards involved.*

Caution: Do not exceed maximum wattage noted on fixture. Use only recommended bulbs with fixture.

Stem Assembly (Figure 1)

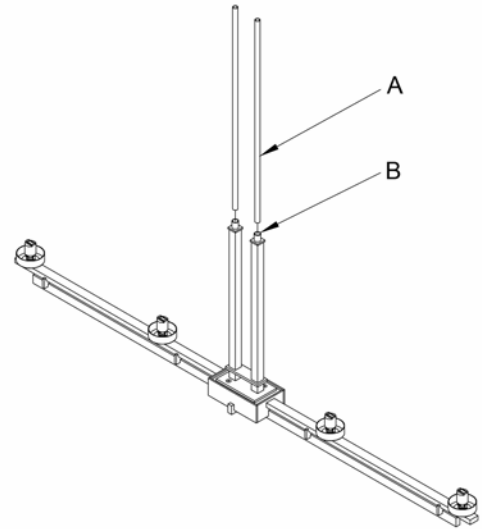
Component Parts

- A Fixture Pipe
- B Fixture Coupling

1. Carefully unpack the fixture from the carton.
2. Carefully thread fixture pipe (A), threaded end first, over fixture wires.
3. Apply a drop of the supplied thread locking compound to the internal threads at the top of the fixture coupling (B) and screw stem into fixture, being careful not to twist the wires.

Note: Application of the thread locking compound is necessary to prevent the stem from loosening during regular maintenance and cleaning of the fixture. Be certain to apply the compound.

4. See instructions below to complete the installation.



(Figure 1)

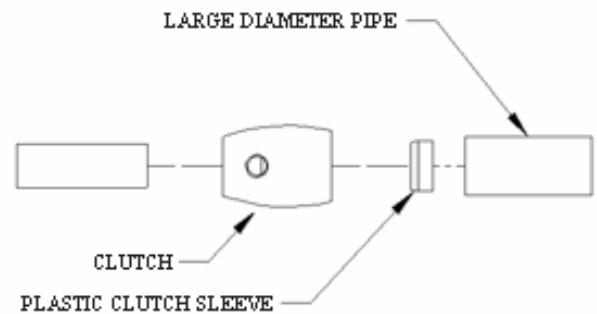
To Complete Assembly (Figures 2 & 3)

Component Parts

- | | | |
|-------------------|-------------------------|-----------------|
| A Fixture Pipe | F Canopy | J Clutch |
| C Hex Head Nipple | G Knurl Ball | K Set Screw (2) |
| D Crossbar | H Canopy Pipe | |
| E Threaded Stud | I Plastic Clutch Sleeve | |

Caution: Be sure power is off at the main breaker box prior to installation.

1. Thread the wires from the fixture pipe (A) into and through the canopy pipe (H) up through the canopy (F).
2. Unscrew the clutch (J) from the canopy pipe (H); slide it across the wires and onto the fixture pipe (A). Follow this with the plastic clutch sleeve (I), oriented so the tapered end of the clutch sleeve nests in the clutch.
3. Slide the canopy pipe (H) as far as necessary to give you the total length of the fixture which you desire. Be careful not to scratch the pipe surfaces and to pull excess wire up through the canopy pipe (H). Screw clutch (J) onto canopy pipe (H). There must be a minimum 1-1/2" of inner pipe inside the outer pipe. Hand-tighten the clutch to temporarily hold this adjustment. The clutch is not securely fastened at this point; do not depend on it to hold the fixture.



(Figure 2)

Important: To ensure full connection strength, be sure the tapered end of the plastic clutch sleeve is oriented toward the clutch when assembled and securely tighten set screw (Figure 2).

(continued)

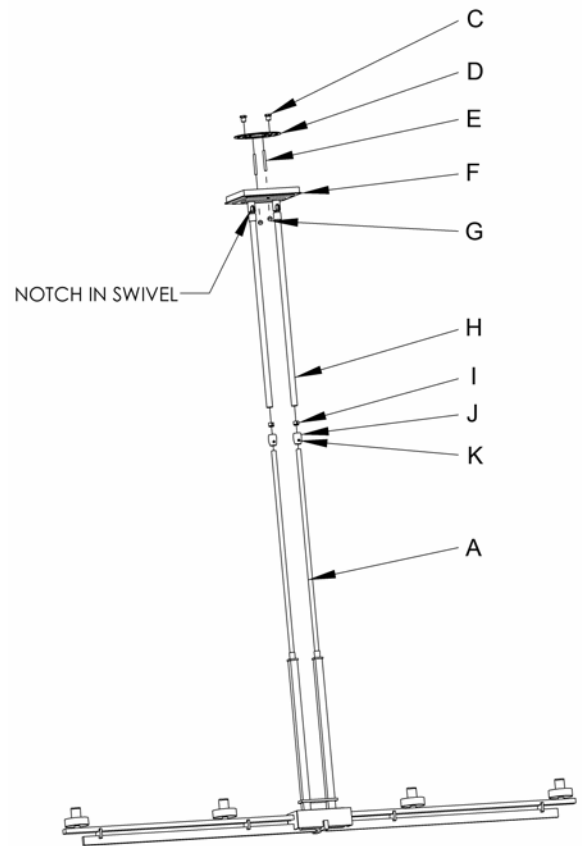
Assembly & Installation Instructions

For Trestle Four-Light Pendant 13-2200

A111

Page 2 of 4

4. Slide canopy (F) over canopy pipe (H) being careful not to scratch finish. Slide down until the canopy rests against clutch (J).
5. Thread studs (E) through appropriate holes in crossbar (D) to match holes in canopy (F).
6. Attach crossbar (D) to both canopy pipes (H) using hex nut nipple (C).
Note: *Be sure both swivel notches are aligned in the same direction. For sloped ceilings the notches should face towards the down side.*
7. Using two machine screws (not provided), fasten the crossbar (D) to the electric box.
Note: *A new electric box comes with screws. When replacing a fixture, retain the existing screws for use with the new fixture.*
8. Using suitable wire connectors (not provided) connect fixture wires to supply (white to white and black to black). Connect all ground wires to green ground screw.
Caution: *Make sure wire connectors are twisted on securely, and no bare wire is exposed.*
9. Slide canopy (F) over threaded studs (E) and push firmly to ceiling, making sure that no wires are pinched between fixture canopy and ceiling. Fasten with knurled balls (G). Be sure studs are fully seated in the knurled balls.
10. Refer instructions below and install glass/shade for option that was purchased.
11. Restore electricity at main breaker.



(Figure 3)

(continued)

Assembly & Installation Instructions

For Trestle Four-Light Pendant 13-2200

A111

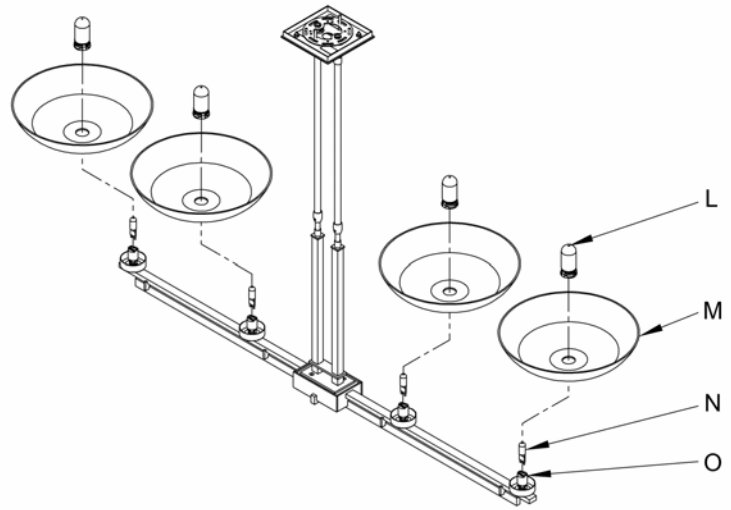
Page 3 of 4

To Install Bowl Glass (Figure 4)

Component Parts

- L Bulb Shield
- M Glass
- N Bulb
- O Socket

1. Slip glass (M) over socket (O).
2. Install light bulb (N). Be careful not to touch bulb with bare hands; oil from the hands will dramatically reduce bulb life.
3. Thread bulb shield (L) onto socket (O) (be careful not to over tighten). Future bulb changes may be accomplished by snapping glass portion of barrier on and off rather than unthreading the holder.



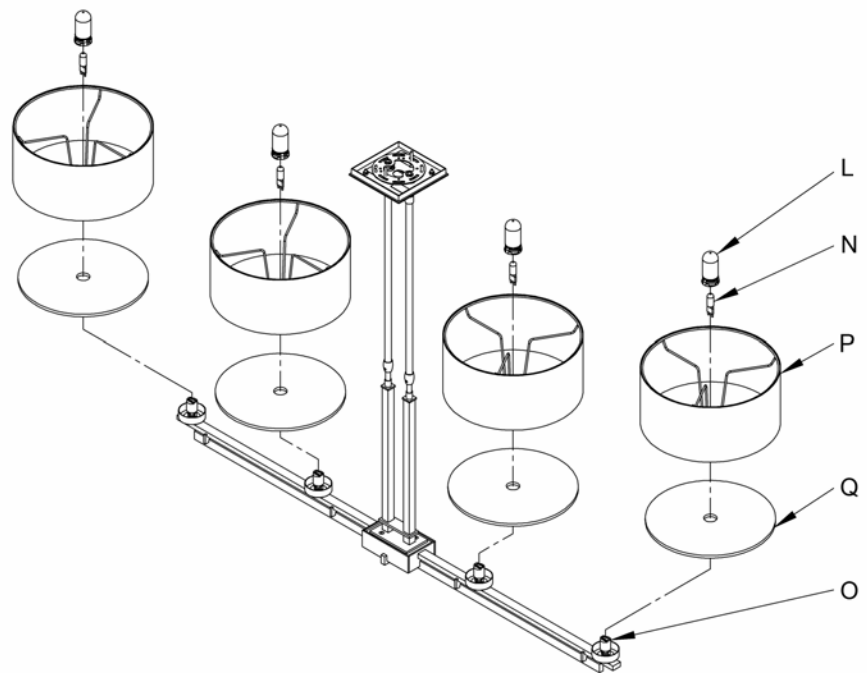
(Figure 4)

To Install Diffuser/Shade (Figure 5)

Component Parts

- L Bulb Shield
- N Bulb
- O Socket
- P Shade
- Q Diffuser

1. Slip diffuser (Q) over socket (O).
2. Install light bulb (N). Be careful not to touch bulb with bare hands; oil from the hands will dramatically reduce bulb life.
3. Slip center ring of shade (P) over socket until it rests on top of diffuser (Q).
4. Thread bulb shield (L) onto socket (O) (be careful not to over tighten). Future bulb changes may be accomplished by snapping glass portion of barrier on and off rather than unthreading the holder.



(Figure 5)

(continued)

Assembly & Installation Instructions

For Trestle Four-Light Pendant 13-2200

A111

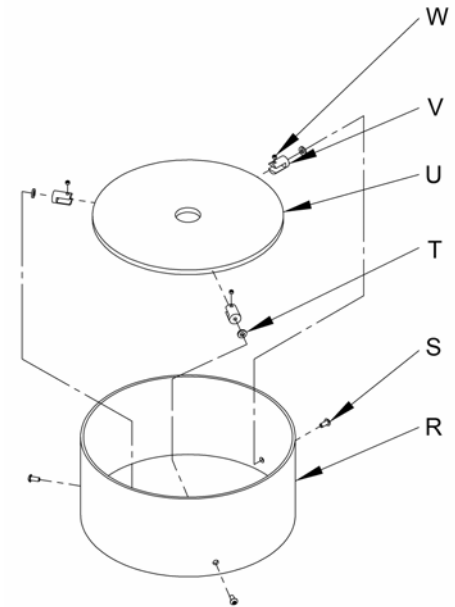
Page 4 of 4

To Assemble Cylinder Glass (Figure 6)

Component Parts

- R Cylinder Glass
- S 8-32 Button Head Screw (3)
- T Rubber Washer (3)
- U Diffuser
- V Glass Gripper (3)
- W 8-32 Set Screw (3)

1. Install rubber washer (T) to surface of glass gripper (V).
2. Slide all three glass grippers (V) onto diffuser (U) in approximate locations to line up with holes in cylinder glass. Gripper should be placed on diffuser so the set screw is towards the top of the glass cylinder.
3. Tighten set screw (W) slightly to keep grippers from falling off but allowing slight movement for alignment.
4. Lower diffuser (U) inside cylinder glass (R) lining up the first gripper with the first hole in the cylinder glass (R) and install button head screw (S).
5. Install the other two glass grippers (V) each with a button head screw (S).
6. Tighten all three button head screws (S). Do not over tighten.
7. Align diffuser (U) to be centered inside cylinder glass (R) and tighten all three set screws (W). Do not over tighten.



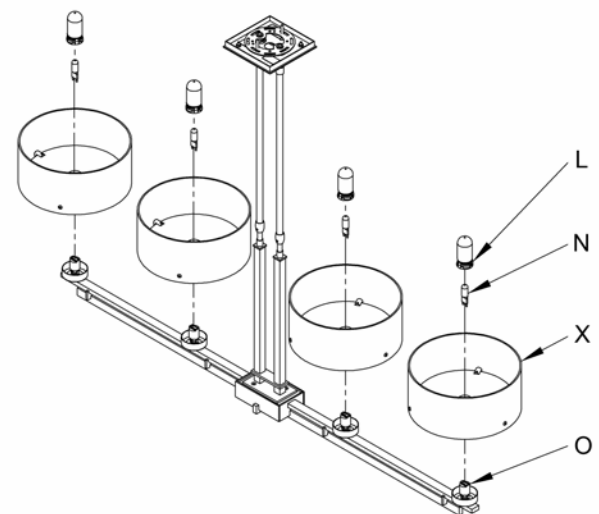
(Figure 6)

To Install Cylinder Glass (Figure 7)

Component Parts

- L Bulb Shield
- N Bulb
- O Socket
- X Glass Assembly (see above for cylinder glass assembly instructions)

1. Slip glass assembly (X) over socket (O).
2. Install light bulb (N). Be careful not to touch bulb with bare hands; oil from the hands will dramatically reduce bulb life.
3. Thread Bulb Shield (L) onto Socket (O) (be careful not to over tighten). Future bulb changes may be accomplished by snapping glass portion of barrier on and off rather than unthreading the holder.



(Figure 7)

If you need further assistance, or find that you are missing any parts, please contact the dealer from which you purchased this product. We hope you enjoy your fixture!

* Hubbardton Forge will not be liable for injury or damage caused by improper installation, lamping or use of this fixture.