

Assembly & Installation Instructions

A207

Prairie Pendant Three Light 13-2125 & 13-2125F

Page 1 of 3

CAUTION: FAILURE TO INSTALL THIS FIXTURE PROPERLY MAY RESULT IN SERIOUS PERSONAL INJURY OR DEATH AND PROPERTY DAMAGE. We recommend installation by a licensed electrician.

This product must be installed in accordance with applicable installation code(s), by a person familiar with the construction and operation of the product and the hazards involved.*

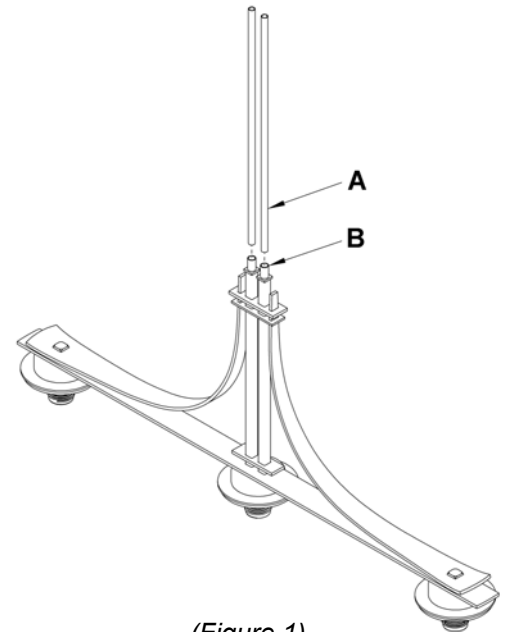
Caution: Do not exceed maximum wattage noted on fixture. Use only recommended bulbs with fixture.

To Assemble Pipe to Fixture (Figure 1)

Component Parts

- A Fixture Pipe
- B Fixture Coupling

1. Carefully unpack the fixture from the carton.
2. Carefully thread fixture pipe (A), threaded end first, over fixture wires. *Note: Be sure the short threaded end is towards the fixture (approx 1/4" in length). If the longer length side is used the threads will appear past the coupling when the pipe is installed.*
3. Apply a drop of the supplied thread locking compound to the internal threads at the top of the fixture (B) and screw stem into fixture, being careful not to twist the wires.
Note: Application of the thread locking compound is necessary to prevent the stem from loosening during regular maintenance and cleaning of the fixture. Be certain to apply the compound.
4. See instructions on next page to complete the installation.

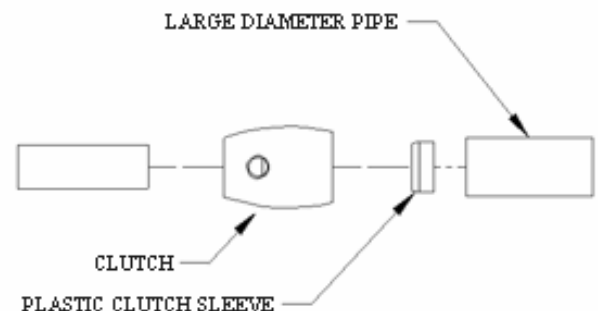


(Figure 1)

To Complete Fixture Assembly (Figures 2 & 3)

Component Parts

- A Fixture Pipe
- C Canopy
- D Crossbar
- E Ground Screw
- F Threaded Stud (2)
- G Barrel Knob (2)
- H Canopy Pipe (2)
- I Plastic Clutch Sleeve (2)
- J Clutch (2)
- K Set Screw (2)
- L Cupped Washer
- M Lock Washer (2)
- N Hex Nipple (2)



(Figure 2)

Caution: Be sure power is off at the main breaker box prior to installation.

1. Thread the wires from the fixture pipe (A) into and through the canopy pipe (H) up through the canopy (C).

(continued)

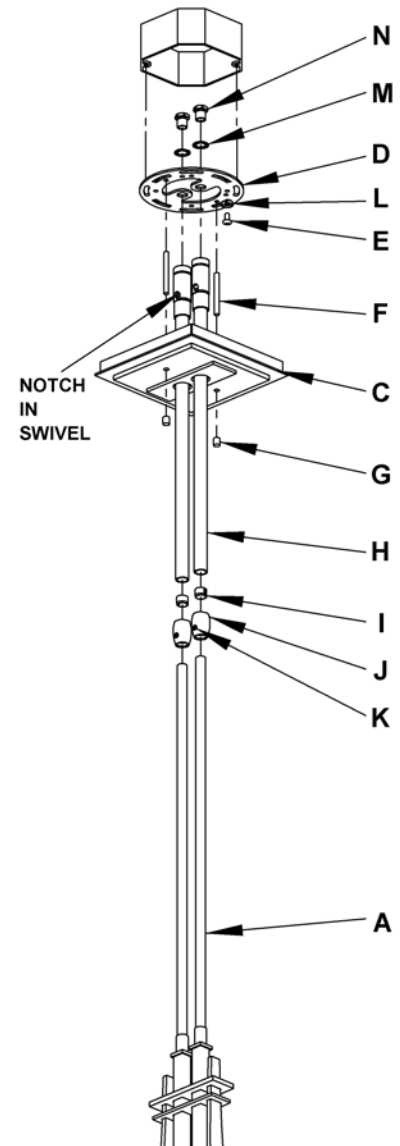
Assembly & Installation Instructions

Prairie Pendant Three Light 13-2125 & 13-2125F

A207

Page 2 of 3

2. Unscrew the clutch (J) from the canopy pipe (H); slide it across the wires and onto the fixture pipe (A). Follow this with the plastic clutch sleeve (I), oriented so the tapered end of the clutch sleeve nests in the clutch.
3. Slide the canopy pipe (H) as far as necessary to give you the total length of the fixture which you desire. Be careful not to scratch the pipe surfaces and to pull excess wire up through the canopy pipe (H). Screw clutch (J) onto canopy pipe (H). There must be a minimum 1-1/2" of inner pipe inside the outer pipe. Hand-tighten the clutch to temporarily hold this adjustment. The clutch is not securely fastened at this point; do not depend on it to hold the fixture.
Important: To ensure full connection strength, be sure the tapered end of the plastic clutch sleeve is oriented toward the clutch when assembled and securely tighten set screw (Figure 2).
4. Slide canopy (C) over canopy pipes (H) being careful not to scratch finish. Slide down until the canopy rests against clutch (J).
5. Thread studs (F) through appropriate holes in crossbar (D) to match holes in canopy (C).
6. Attach crossbar (D) to both canopy pipes (H) using hex head nipple (N) and lock washer (M).
Note: Be sure both swivel notches are aligned in the same direction. For sloped ceilings the notches should face towards the down side.
7. Using two machine screws (not provided), fasten the crossbar (D) to the electric box.
Note: A new electric box comes with screws. When replacing a fixture, retain the existing screws for use with the new fixture.
8. Using suitable wire connectors (not provided) connect fixture wires to supply (white to white or ribbed and black to black or smooth). Connect all ground wires to green ground screw (E) and cupped washer (L).
Caution: Make sure wire connectors are twisted on securely, and no bare wire is exposed.
9. Slide canopy (C) over threaded studs (F) and push firmly to ceiling, making sure that no wires are pinched between fixture canopy and ceiling. Fasten with barrel knobs (G). Be sure studs are fully seated in the barrel knobs.
10. Once the fixture is fastened to the ceiling, tighten the set screw (K) in clutch (J) firmly with hex wrench provided. Only after the set screw (K) is tight should you install the glass.
11. Refer to instructions below and install glass.



(Figure 3)

(continued)

Assembly & Installation Instructions

Prairie Pendant Three Light 13-2125 & 13-2125F

A207

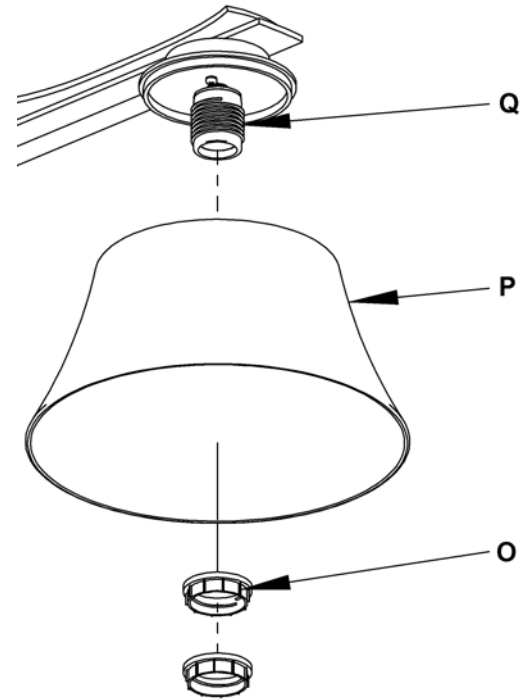
Page 3 of 3

To Install Glass (Figure 4)

Component Parts

- O Retaining Ring (6)
- P Glass (3)
- Q Socket (3)

1. Remove retaining rings (O) from socket (Q). *Retaining Rings are shipped installed.*
2. Place glass (P) over socket (Q).
3. Thread the first retaining ring (O) onto socket until it is against top of the glass (P).
4. Thread the second retaining ring (O) onto socket until it is snug against the first retaining ring. *Do not over tighten.*
5. Install light bulb. (*Fluorescent bulbs included with fixture.*)
6. Restore electricity at the main breaker.



(Figure 4)

If you need further assistance, or find that you are missing any parts, please contact the dealer from which you purchased this product. We hope you enjoy your fixture!

* Hubbardton Forge will not be liable for injury or damage caused by improper installation, lamping or use of this fixture.