

Installation Instructions

A7

For Chain Hanging Fixtures

CAUTION: FAILURE TO INSTALL THIS FIXTURE PROPERLY MAY RESULT IN SERIOUS PERSONAL INJURY OR DEATH AND PROPERTY DAMAGE. We recommend installation by a licensed electrician.

This product must be installed in accordance with applicable installation code(s), by a person familiar with the construction and operation of the product and the hazards involved.*

Caution: Do not exceed maximum wattage noted on fixture. Use only recommended bulbs with fixture.

For fixtures requiring assembly, please refer to assembly instructions before installation.

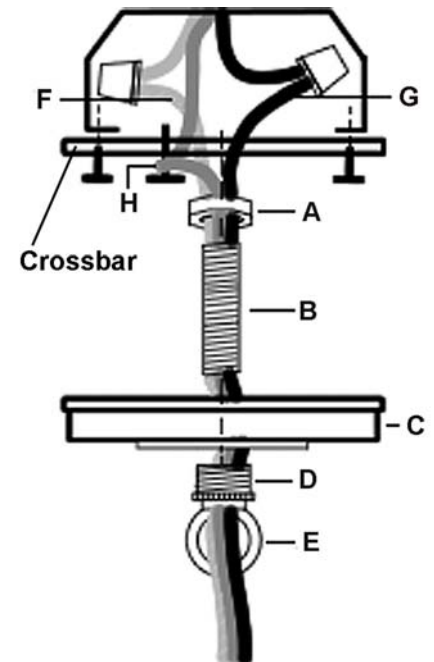
Component Parts

A	Lock Nut	E	Canopy Loop
B	Nipple	F	Ribbed Edge Wire
C	Canopy	G	Black Wire
D	Loop Collar	H	Bare Ground Wire

To Install

Caution: Be sure power is off at the main breaker box prior to installation

1. Carefully unpack the fixture from the carton.
2. Using two machine screws (not provided), fasten the crossbar to the electric box (see illustration).
Note: A new electric box comes with screws. When replacing a fixture, retain the existing screws for use with the new fixture.
4. Thread the nipple (B) into the crossbar and secure with lock nut (A); slide canopy (C) over nipple, and attach the canopy loop (E) to the nipple. Adjust the nipple to proper length to ensure a snug canopy fit before proceeding.
5. Attach one end of the chain to the fixture loop (not shown). Lace the wire through every other link of the chain to the end. Slip wires and chain through the collars and canopy (E, D & C). Fasten the chain to the canopy loop, then slip wires through the loop and nipple, into the electric box (see illustration). Make sure to provide enough slack in the wire to ensure weight of fixture is supported by the chain.
6. Using suitable wire connectors (not provided) connect fixture wires to supply wires (white to ribbed side of the fixture s cord, black to smooth side). Connect all ground wires to crossbar ground screw.



Caution: Make sure wire connectors are twisted on securely, and no bare wire is exposed.

7. Raise canopy to the ceiling and secure collar to canopy loop.
8. Install light bulb(s) (not provided).
9. Restore electricity at main breaker.

If you need further assistance, or find that you are missing any parts, please contact the dealer from which you purchased this product. We hope you enjoy your fixture!

* Hubbardton Forge will not be liable for injury or damage caused by improper installation, lamping or use of this fixture.