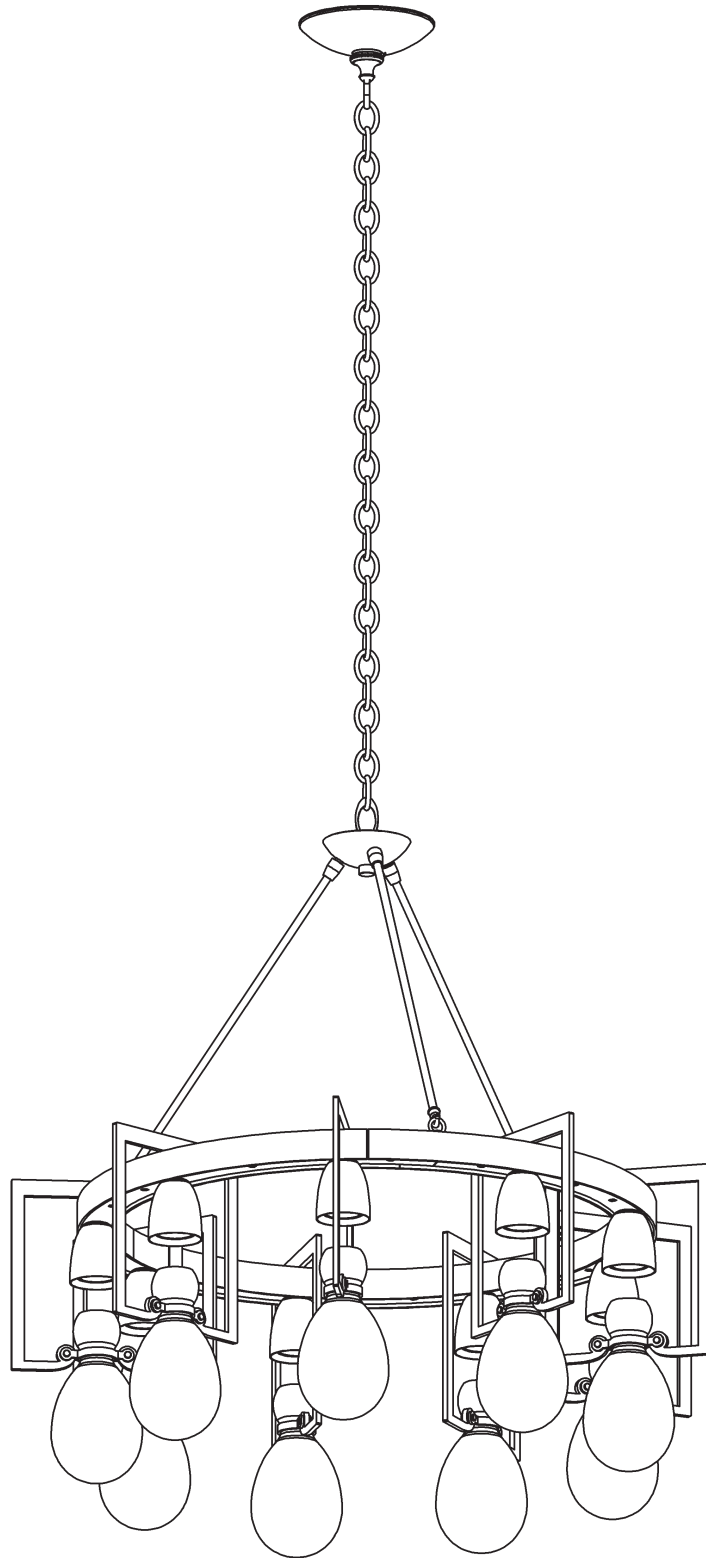


ASSEMBLY & INSTALLATION INSTRUCTIONS

A555

104360 Apothecary Chandelier



Component Parts

- A Fixture**
- B Bob**
- C Fixture Pipe (3)**
- D Fixture Loop**
- E Cover**
- F Lock Washer (3)**
- G Nut (3)**
- H Hook (3)**
- I Lag Screws (2)**
- J Crossbar**
- K Nipple**
- L Canopy**
- M Loop Collar**
- N Locknut**
- O Chain**
- P Canopy Loop**
- Q Loop**
- R Glass (9)**
- S Thumb Screw (36)**
- T Bracket (18)**
- U Ground Screw**
- V Cupped Washer**
- W Hex Nut**
- X Wire Connector (3)**



ASSEMBLY & INSTALLATION INSTRUCTIONS

A555

104360 Apothecary Chandelier

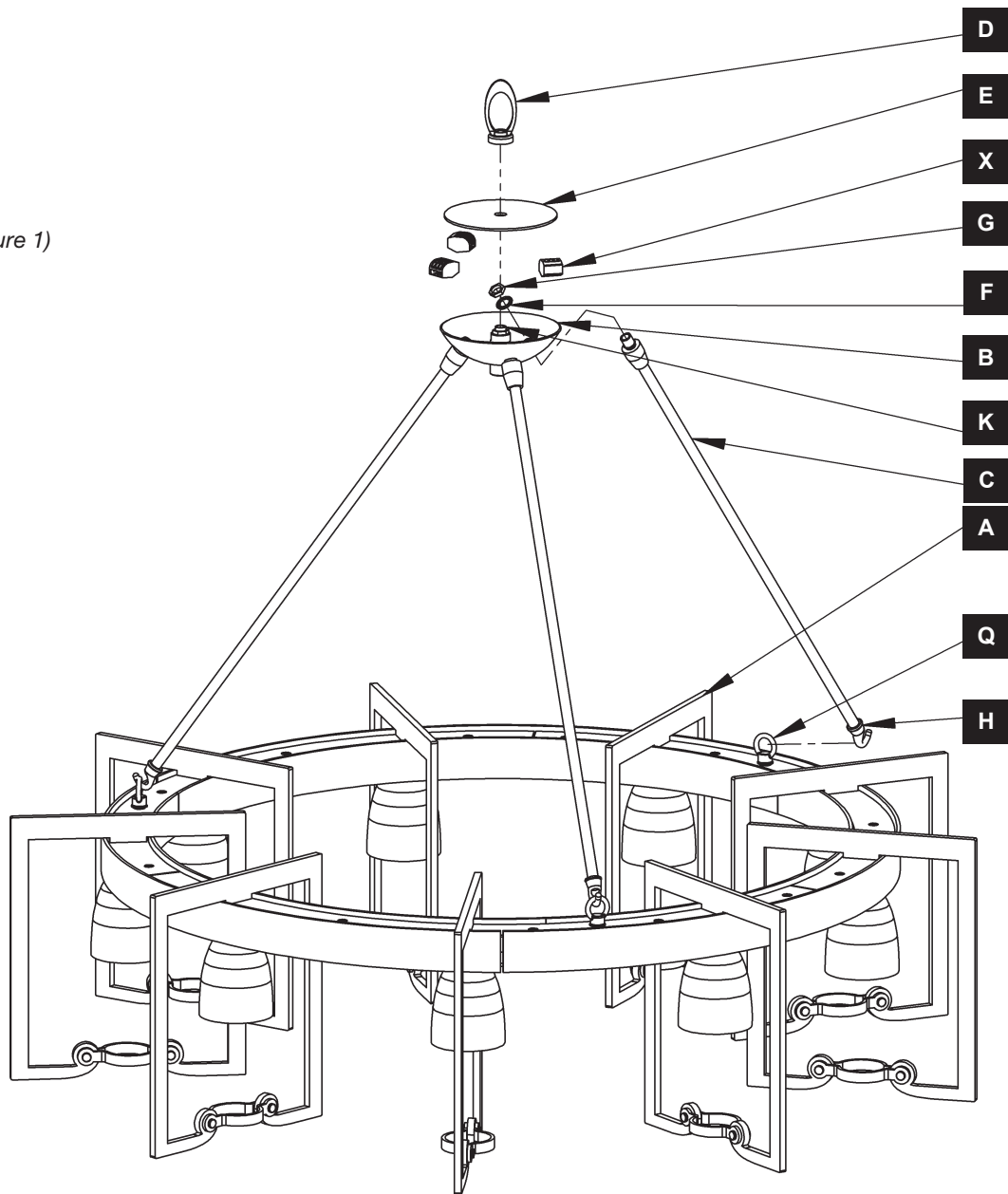
CAUTION: FAILURE TO INSTALL THIS FIXTURE PROPERLY MAY RESULT IN SERIOUS PERSONAL INJURY OR DEATH AND PROPERTY DAMAGE. We recommend installation by a licensed electrician. This product must be installed in accordance with applicable installation code(s), by a person familiar with the construction and operation of the product and the hazards involved.*

Caution: Do not exceed maximum wattage noted on fixture. Use only recommended bulbs with fixture.

Please Note: After installation extra hardware and accessories are possible; our kits are used on multiple products.

To Install Fixture (Figure 1)

(Figure 1)



ASSEMBLY & INSTALLATION INSTRUCTIONS

A555

104360 Apothecary Chandelier

CAUTION: BE SURE POWER IS OFF AT THE MAIN BREAKER BOX PRIOR TO INSTALLATION.

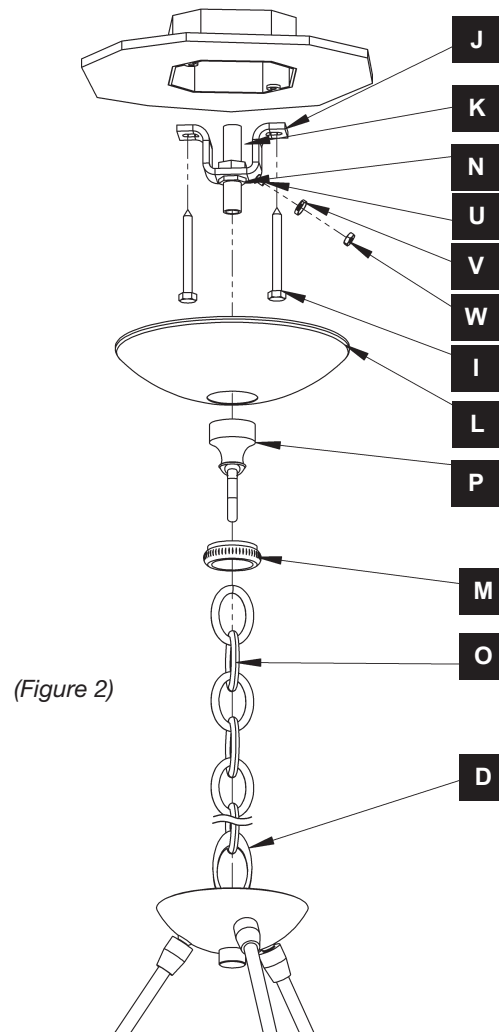
1. Carefully unpack the fixture (A) from the carton. Place fixture on a level surface.
2. Locate bob (B), cover (E) and fixture loop (D) assembly and fixture pipes (C).
3. Spin fixture loop (D) counter clock wise and remove it from the bob (B). Remove cover (E). Set cover and fixture loop aside.
4. Remove lock washers (F) and nuts (G) shipped installed on fixture pipes (C) and set aside.
5. Run power cord and ground wire from fixture body (A) through one fixture pipe (C), hook (H) end first.
6. Slide hook (H) into loop (Q). Feed wires followed by swivel end of fixture pipe (C) through hole in the bob (B). Attach swivel to bob (B) with lock washer (F) and nut (G), leaving nut loose.
7. Secure remaining two fixture pipes (C) to fixture (A) and bob assembly (B) by feeding hooks (J) through loops (K) and then swivel end through bob and fasten with lock washer (F) and nut (G).

NOTE: Wire fed through loop and hook must be facing outside of fixture to avoid being pinched.

8. Cut wires from fixture pipe (C) to length in bob (B). Attach ground to ground, white to white, and black to black with provided wire connectors (X) as seen in Figure 3.

NOTE: Terminals are shipped attached to power cord and ground.

9. Drill two holes through the back of the outlet box and using two lag screws (I), attach crossbar (J) to a solid structural member in the ceiling, centering the crossbar in the outlet box. Lag screws (I) are supplied with your fixture; however, different materials and/or construction methods may require different fasteners. If in doubt, contact a qualified electrician.
10. Thread canopy loop (P) onto nipple (K). Place canopy (L) over loop and adjust nipple length to ensure a snug canopy fit using loop collar (M). Once the length is determined, set the canopy and loop collar aside and lock nipple position by tightening the locknut (N) against the crossbar (J).
11. Attach one end of the chain (O) to fixture loop (D).
12. Slide loop collar (M) and canopy (L) over chain (O) and fixture wires and rest on fixture loop (D). Thread the fixture wires through every other link of the chain up through the canopy loop (P), nipple (K) and into the outlet box.
13. Attach the other end of the chain to the canopy loop (P).



ASSEMBLY & INSTALLATION INSTRUCTIONS

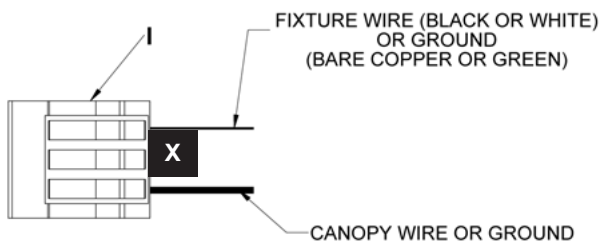
A555

104360 Apothecary Chandelier

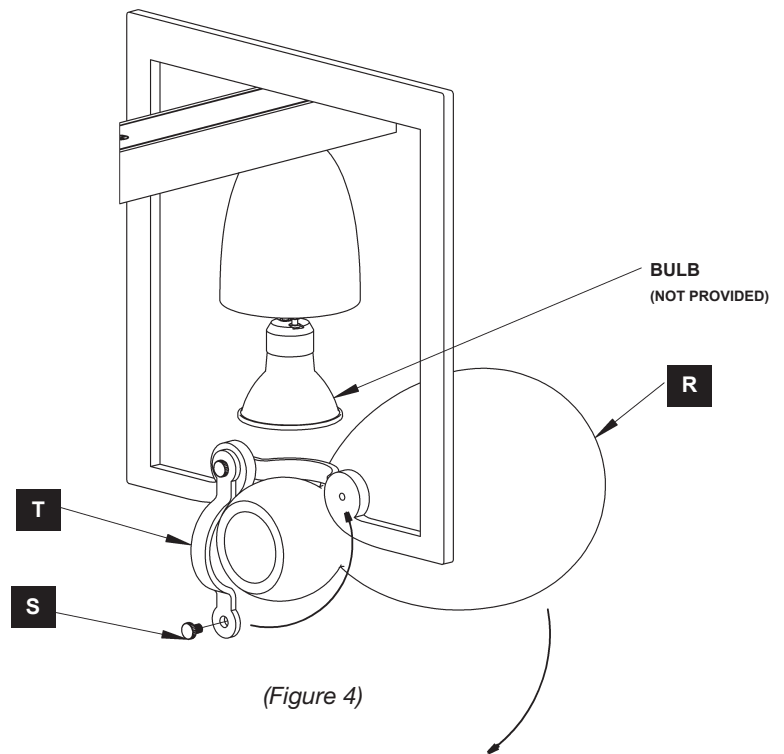
- Using suitable wire connectors (not provided), connect fixture wires to supply wires (ribbed side of fixture cord to white supply, smooth side of fixture cord to black supply). Run a pigtail lead from the ground screw (U), cupped washer (V) and hex nut (W) on crossbar (J) and connect all ground wires (bare copper or green to bare copper or green). Push wires back into outlet box.

CAUTION: MAKE SURE WIRE CONNECTORS ARE TWISTED ON SECURELY, AND NO BARE WIRE IS EXPOSED.

- Slide the canopy (L) up the chain (O) and over the canopy loop (P). Holding tight to the ceiling, secure with loop collar (M).
- Install bulbs (not included).
- Remove one thumb screw (S) from one of the brackets (T).
- Allow the bracket (T) to swing to a vertical position. See Figure 4.
- Holding the glass (R) horizontal, place the neck of the glass against the bracket (T) that is completely installed.
- In one movement, rotate the glass (R) to a vertical position while swinging the bracket (T) back into a horizontal position.
- Re-install the thumb screw (S) into the bracket (T).
- Repeat for remaining pieces of glass.
- Restore electricity at main breaker.



(Figure 3)



(Figure 4)

If you need further assistance, or find that you are missing any parts, please contact the dealer from which you purchased this product. We hope you enjoy your fixture!

*** Hubbardton Forge will not be liable for injury or damage caused by improper installation, lamping or use of this fixture.**