

Installation Instructions

A348

For Moreau 7 Light Chandelier 104325

Page 1 of 3

CAUTION: FAILURE TO INSTALL THIS FIXTURE PROPERLY MAY RESULT IN SERIOUS PERSONAL INJURY OR DEATH AND PROPERTY DAMAGE. We recommend installation by a licensed electrician. This product must be installed in accordance with applicable installation code(s), by a person familiar with the construction and operation of the product and the hazards involved.*

Caution: Do not exceed maximum wattage noted on fixture. Use only recommended bulbs with fixture.

To Assemble Fixture (Figures 1 & 2)

Component Parts

A Cap	E Hook
B Wire connector	F Loop
C Bob	O Fixture loop
D Fixture pipe	

CAUTION: BE SURE POWER IS OFF AT THE MAIN BREAKER BOX PRIOR TO INSTALLATION.

1. Carefully unpack the fixture from the carton.
2. Spin fixture loop (O) counter clock wise to remove it. Set aside along with cap (A).
3. Remove lock washers and nuts shipped installed on fixture pipes (D) and set aside for later use.
4. Run power cord and ground wire from fixture through one fixture pipe (D), hook (E) end first.
5. Feed wires followed by swivel end of fixture pipe (D) through hole in the bob (C). Attach with lock washer and nut, leaving nut loose.
6. Slide hook (E) into loop (F) pulling wires tight.

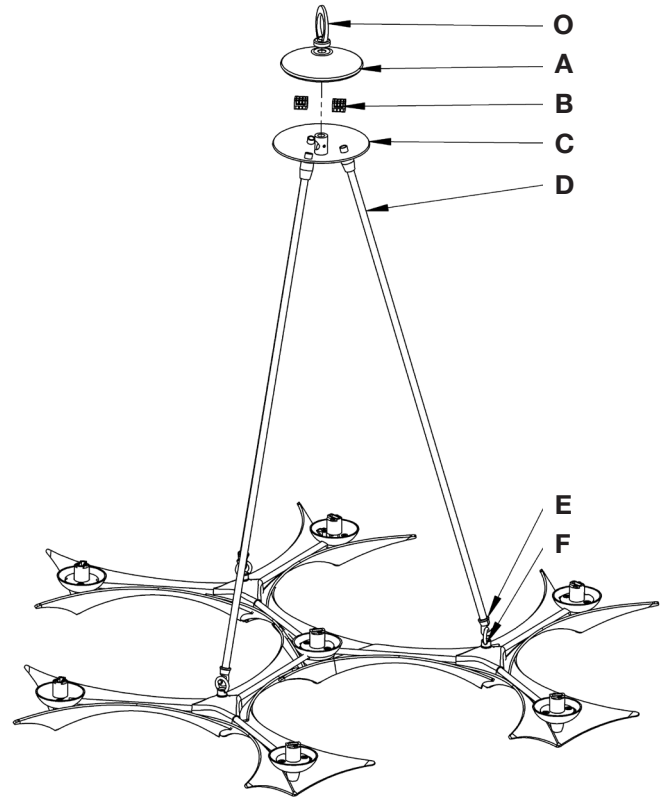
Note: Wire fed through hoop (F) and hook (E) must be facing outside of fixture to avoid being pinched.

7. Slide hook (E) into loop (F) pulling wires tight.

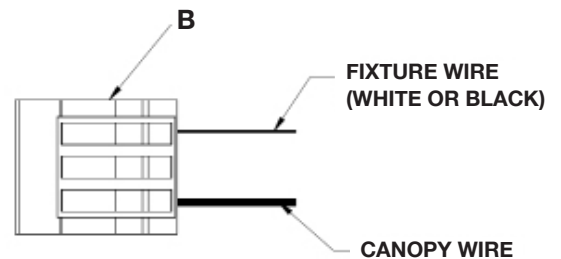
Note: Terminals are shipped attached to power cord & ground.

8. Pass swivel on remaining two fixture pipes (D) through bob (C) and fasten with lock washer and nut, leaving nuts loose.
9. Secure remaining two fixture pipes (D) to fixture by feeding hooks (E) through loops (F).
10. Tighten all three nuts to bob (C). Tuck wires into bob (C) and lower cap (A) over the wires being careful not to pinch them. Follow with fixture loop and twist until tight.
11. Follow next steps to install canopy and hang fixture.

(Continued)



(Figure 1)



(Figure 2)

If you need further assistance, or find that you are missing any parts, please contact the dealer from which you purchased this product. We hope you enjoy your fixture!

* Hubbardton Forge will not be liable for injury or damage caused by improper installation, lamping or use of this fixture.

Installation Instructions

A348

For Moreau 7 Light Chandelier 104325

Page 2 of 3

To Install the Canopy (Figure 3)

Component Parts

G Crossbar	L Canopy Loop
H Nipple	M Loop Collar
I Ground Screw	N Chain
J Lock Nut	O Fixture Loop
K Canopy	

CAUTION: BE SURE POWER IS OFF AT THE MAIN BREAKER BOX PRIOR TO INSTALLATION.

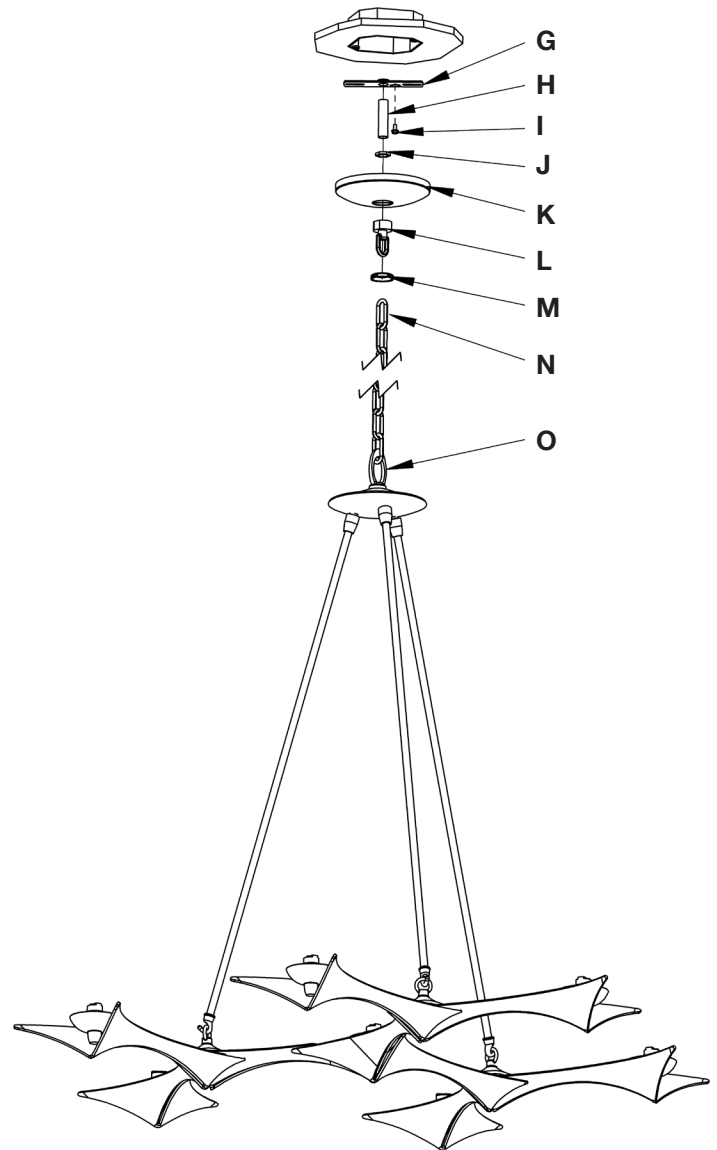
1. Using two machine screws (not provided), fasten the crossbar (G) to the electric box (see illustration).

Note: A new electric box comes with screws. When replacing a fixture, retain the existing screws for use with the new fixture.

2. Thread the nipple (H) into the crossbar (G) and secure with lock nut (J); slide canopy (K) over nipple (H), and attach the canopy loop (L) to the nipple (H). Adjust the nipple to proper length to ensure a snug canopy fit before proceeding.
3. Attach one end of the chain (N) to the fixture loop (O). Lace the wire through every other link of the chain (N) to the end. Slip wire and chain (N) through loop collar, canopy loop, and canopy (M & L & K). Fasten the chain (N) to the canopy loop (L). Make sure to provide enough slack in the wire to ensure weight of fixture is supported by the chain (N).
4. Using suitable wire connectors (not provided) connect fixture wires to supply wires (white to ribbed side of the fixture's cord, black to smooth side). Run a pigtail lead from crossbar ground screw (I) to the junction box and connect all ground wires (bare copper or green to bare copper or green).

CAUTION: MAKE SURE WIRE CONNECTORS ARE TWISTED ON SECURELY, AND NO BARE WIRE IS EXPOSED.

5. Raise canopy (K) to the ceiling and secure loop collar (M) to canopy loop (L).
6. Follow next steps to install glass.



(Figure 3)

(Continued)

If you need further assistance, or find that you are missing any parts, please contact the dealer from which you purchased this product. We hope you enjoy your fixture!

*Hubbardton Forge will not be liable for injury or damage caused by improper installation, lamping or use of this fixture.

Installation Instructions

A348

For Moreau 7 Light Chandelier 104325

Page 3 of 3

Install Bulb and Glass (Figure 4)

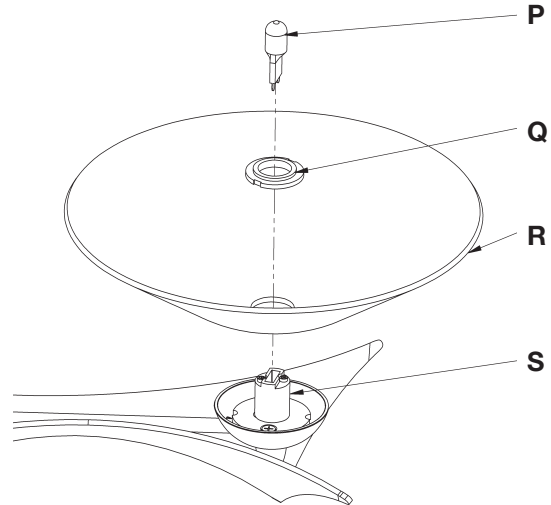
Component Parts

- P Bulb (included)
- Q Retaining Ring (7)
- R Glass (7)
- S Socket (7)

1. Remove retaining rings (Q) from sockets (S) and set aside for later use. Retaining rings are shipped installed on the sockets.
2. Install light bulb (P). Be careful not to touch bulb with bare hands; oil from the hands will dramatically reduce bulb life.
3. Slip glass (R) over socket (S) and thread retaining ring (Q) onto socket (S).

Note: A new electric box comes with screws. When replacing a fixture, retain the existing screws for use with the new fixture.

4. Restore electricity at main breaker.



(Figure 4)

(Continued)

If you need further assistance, or find that you are missing any parts, please contact the dealer from which you purchased this product. We hope you enjoy your fixture!

* Hubbardton Forge will not be liable for injury or damage caused by improper installation, lamping or use of this fixture.