

Installation Instructions

CAUTION: FAILURE TO INSTALL THIS FIXTURE PROPERLY MAY RESULT IN SERIOUS PERSONAL INJURY OR DEATH AND PROPERTY DAMAGE. We recommend installation by a licensed electrician.

This product must be installed in accordance with applicable installation code(s), by a person familiar with the construction and operation of the product and the hazards involved.*

Caution: Do not exceed maximum wattage noted on fixture. Use only recommended bulbs with fixture.

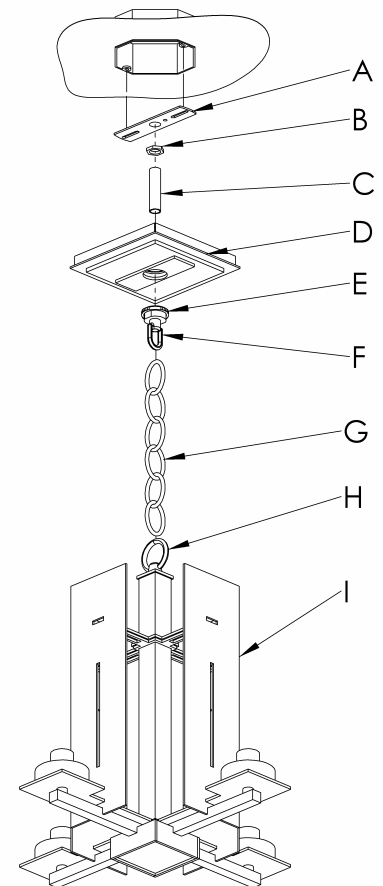
To Install (Figure 1)

Component Parts

- | | |
|---------------|----------------|
| A Crossbar | F Canopy Loop |
| B Lock Nut | G Chain |
| C Nipple | H Fixture Loop |
| D Canopy | I Fixture |
| E Loop Collar | |

Caution: Be sure power is off at the main breaker box prior to installation

- Carefully unpack the fixture from the carton.
- Using two machine screws (not provided), fasten the crossbar to the electric box.
Note: A new electric box comes with screws. When replacing a fixture, retain the existing screws for use with the new fixture.
- Thread the nipple (C) into the crossbar (A) and secure with lock nut (B); slide canopy (D) over nipple, and attach the canopy loop (F) to the nipple. Adjust the nipple to proper length to ensure a snug canopy fit before proceeding.
- Attach one end of the chain to the fixture loop (H). Lace the wire through every other link of the chain (G) to the end. Slip wires and chain through the collars and canopy (D, E & F). Fasten the chain to the canopy loop, then slip wires through the loop and nipple, into the electric box. Make sure to provide enough slack in the wire to ensure weight of fixture is supported by the chain.
- Using suitable wire connectors (not provided) connect fixture wires to supply wires (white to ribbed side of the fixture cord, black to smooth side). Connect all ground wires to crossbar ground screw.
Caution: Make sure wire connectors are twisted on securely, and no bare wire is exposed.
- Raise canopy to the ceiling and secure collar to canopy loop (F) with loop collar (E).



(Figure 1)

(continued)

Installation Instructions

For New Town Four Light Chandelier 10-3250 & 10-3255

A137

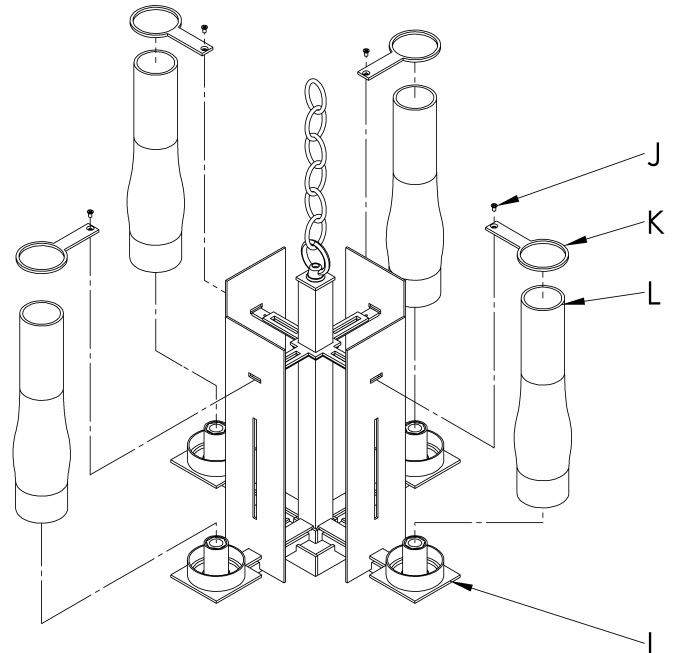
Page 2 of 2

To Install Glass (Figure 2)

Component Parts

- I Fixture
- J Screw (4)
- K Glass Ring (4)
- L Glass (4)

1. Install light bulbs (not provided).
2. Slip glass ring (K) over glass (L) making sure counter sunk side is facing up. Install glass (L) aligning glass ring (K) hole with threaded hole in fixture (I).
3. Install screw (J) to attach glass ring (K) to fixture (I).
4. Restore electricity at the main breaker.



(Figure 2)

If you need further assistance, or find that you are missing any parts, please contact the dealer from which you purchased this product. We hope you enjoy your fixture!

* Hubbardton Forge will not be liable for injury or damage caused by improper installation, lamping or use of this fixture.